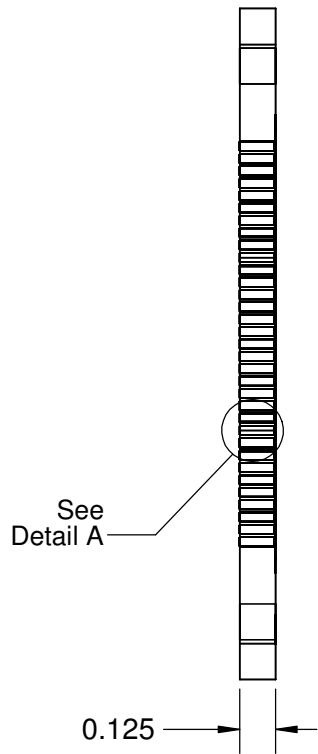
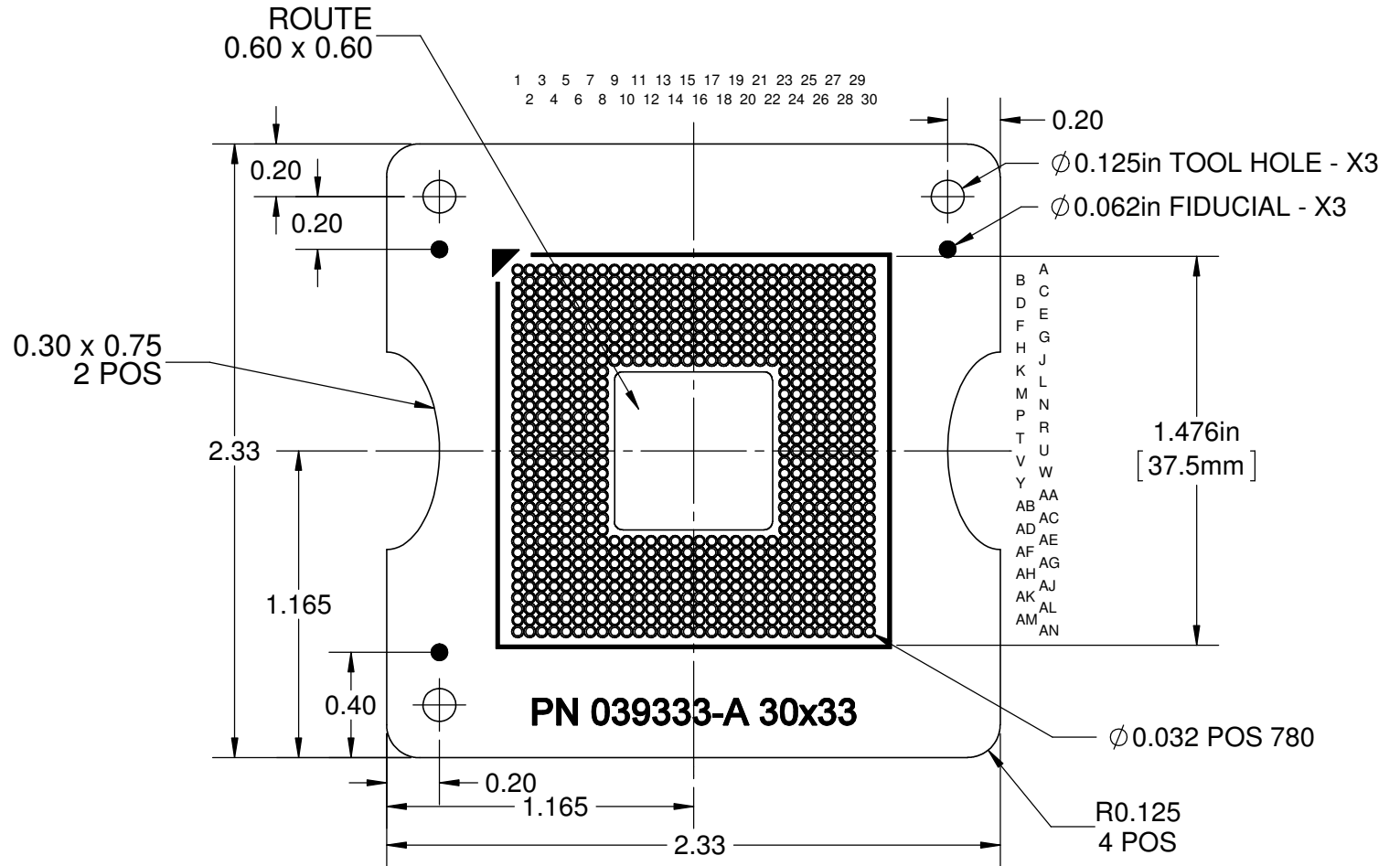


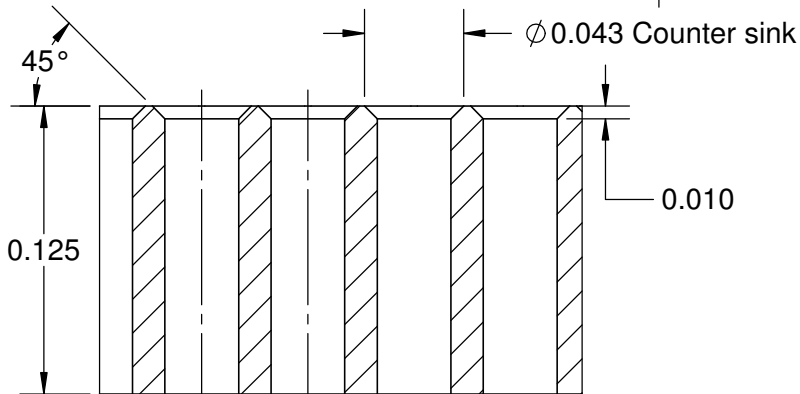
SIDE VIEW



TOP VIEW



DETAIL A



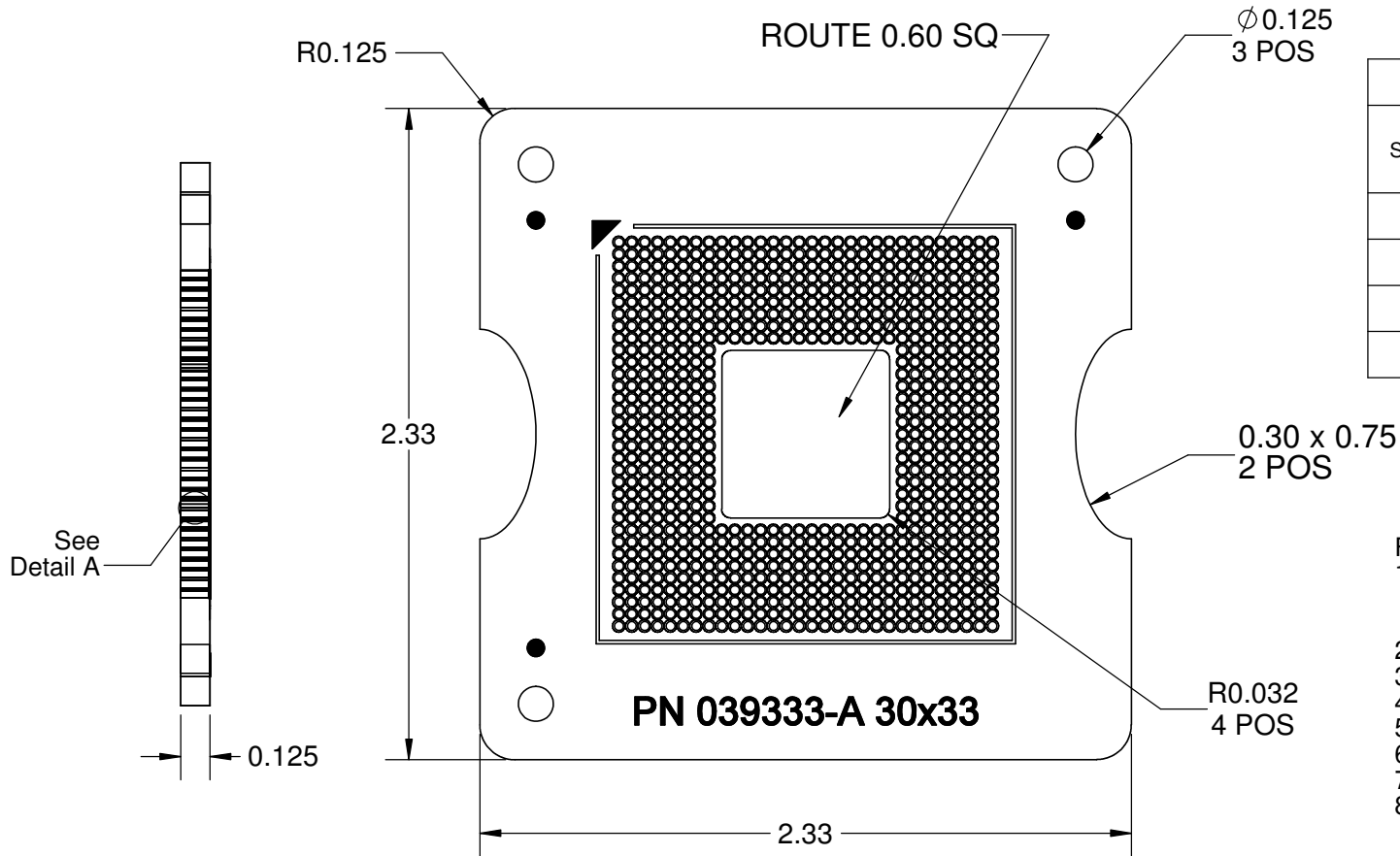
PITCH: 0.04606 [1.17mm]

NOTES:

1. DIMENSIONS IN INCH UNLESS OTHERWISE STATED.
2. MATERIAL: FR4 COLOR BLACK.
3. LEGEND: WHITE INK.
4. PIN REFERENCE DESIGNATORS NOT MARKED ON PCB

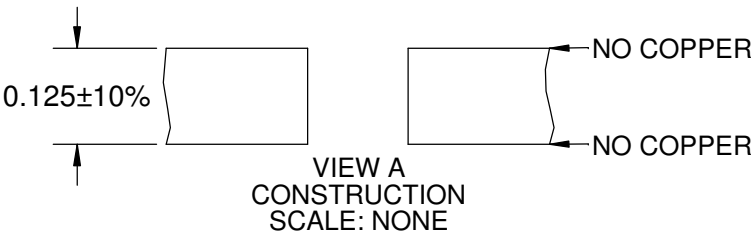
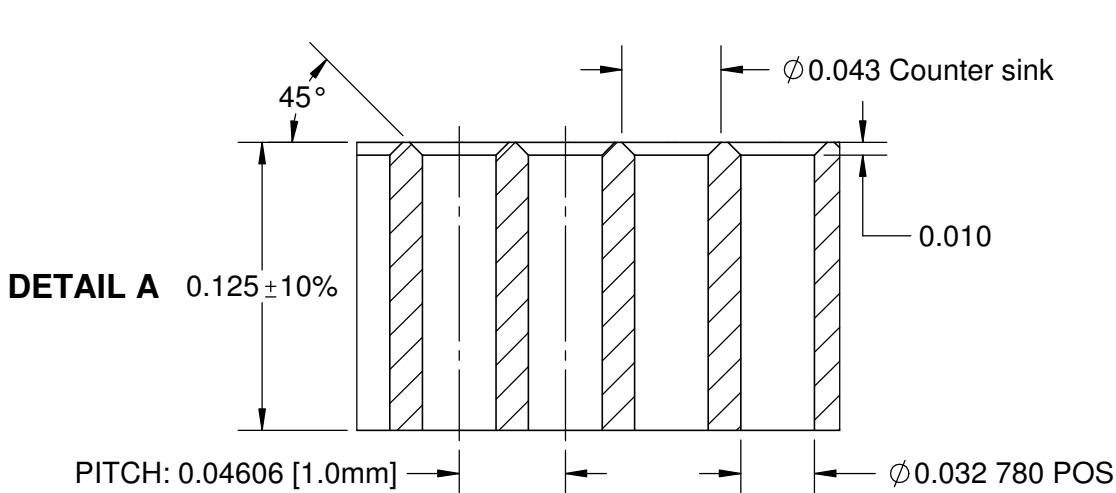
APPROVALS	DATE	TopLine®			
DRAWN T. Au	8/1/2015				
ENG M. Hart	8/1/2015	TITLE CCGA771 TRAY INSERT 2.33" SQ			
MFG		SCALE	SIZE	DRAWING NO.	REV
QA		3:2	A	039333	A
CUST		DO NOT SCALE DRAWING			SHEET 1 OF 3
REVISED					

FAB DRILL AND PLATED THROUGH HOLES



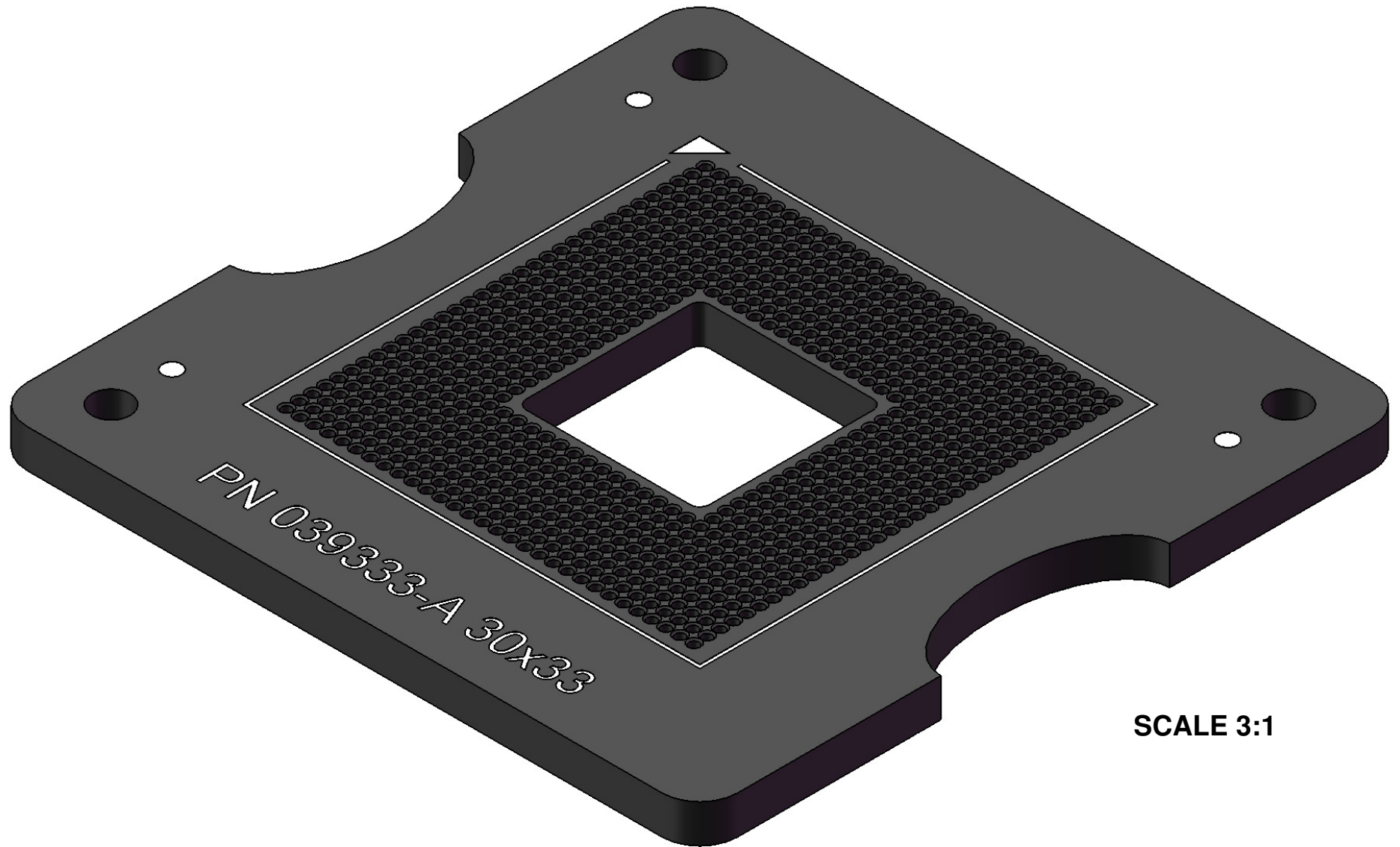
HOLE CHART			
SYMBOL	DIAMETER UNPLATED THRU	COUNTER SINK	QTY PCB
+	0.032±0.003	-	780
○	-	0.043±0.003	780
○	∅0.125		3
TOTAL			1563

- FAB NOTES:**
1. MATERIAL:
A. NO COPPER (0/0).
B. FR4 BLACK COLOR.
 2. REFER TO DETAIL A COUNTER SINK.
 3. REFER TO VIEW A FOR STACK UP.
 4. NO PTH HOLES.
 5. NO SOLDER MASK.
 6. NO PCB MFGR LOGO ALLOWED.
 7. SILKSCREEN WHITE INK.
 8. FULLY ROUTE EACH BOARD.



TopLine®			
TITLE CCGA771 TRAY INSERT 2.33" SQ			
SCALE 1.25:1	SIZE A	DRAWING NO. 039333	REV A
DO NOT SCALE DRAWING		SHEET 2 OF 3	

MODEL



SCALE 3:1

TopLine[®]			
TITLE		CCGA771 TRAY INSERT 2.33" SQ	
SCALE	SIZE	DRAWING NO.	REV
3:1	A	039333	A
DO NOT SCALE DRAWING			SHEET 3 OF 3