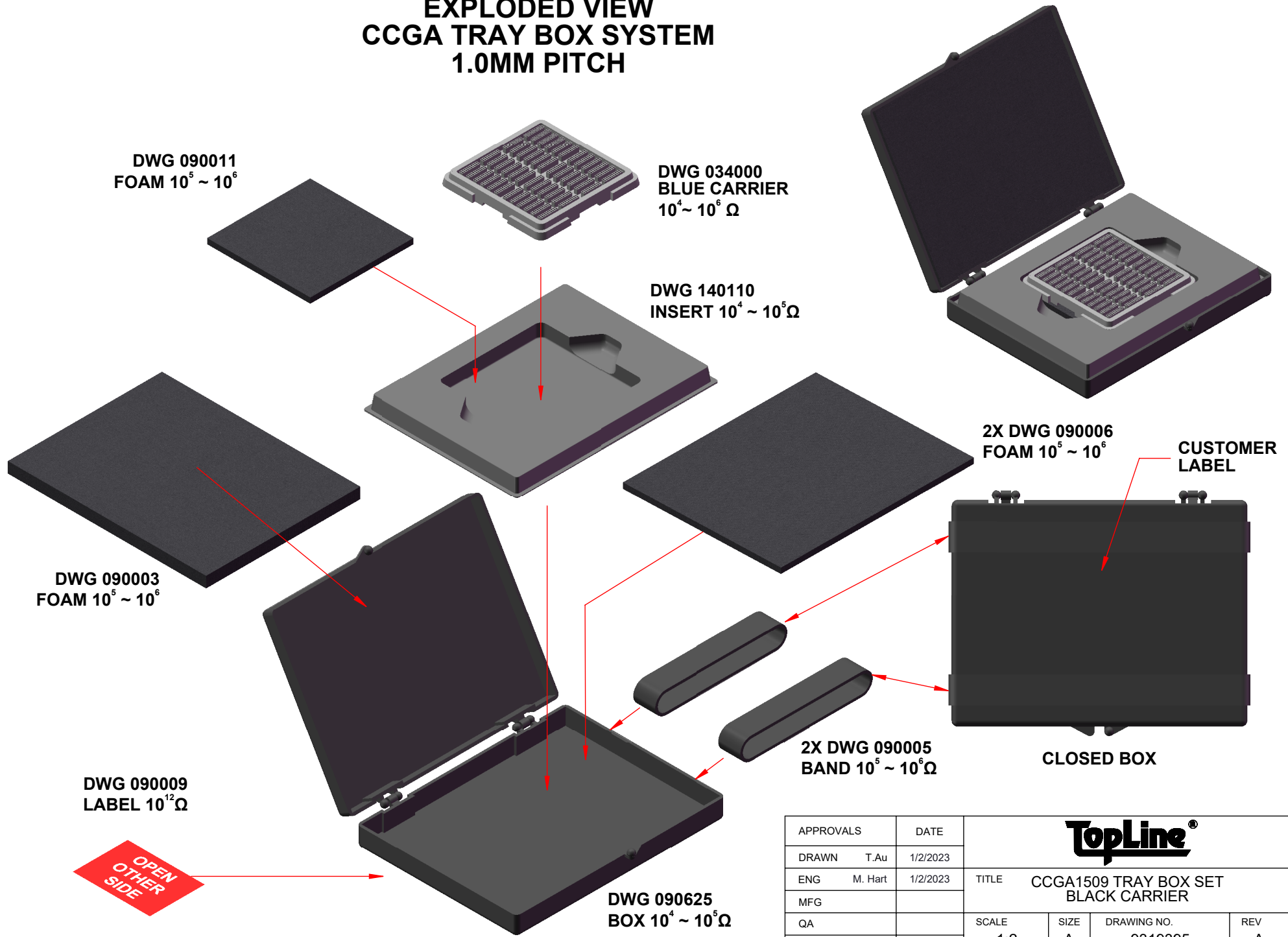


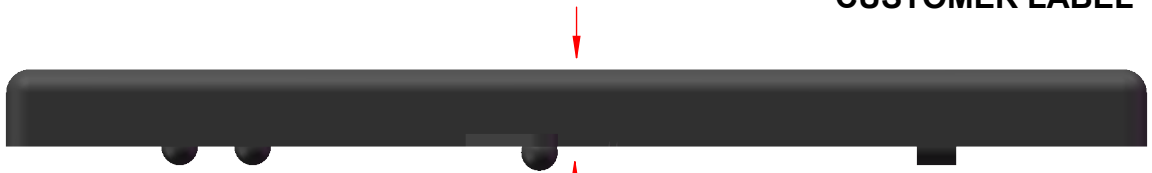
EXPLODED VIEW CCGA TRAY BOX SYSTEM 1.0MM PITCH



| | | | | | |
|-------------|----------|----------------------------------------------|------|-------------|---------------|
| APPROVALS | DATE | TopLine® | | | |
| DRAWN T. Au | 1/2/2023 | | | | |
| ENG M. Hart | 1/2/2023 | TITLE CCGA1509 TRAY BOX SET BLACK CARRIER | | | |
| MFG | | SCALE | SIZE | DRAWING NO. | REV |
| QA | | 1:2 | A | 9319395 | A |
| CUST | | DO NOT SCALE DRAWING | | | SHEET 1 OF 13 |
| REVISED | | | | | |

**EXPLODED SIDE VIEW
PITCH 1.0mm**

CUSTOMER LABEL



DWG 090625 BOX TOP

**DWG 090003 FOAM (LOW PROFILE CCGA)
DWG 090006 FOAM (HIGH PROFILE CCGA)**



CCGA COMPONENT



DWG 034000 CARRIER



DWG 090011 FOAM (OPTIONAL LOW PROFILE CCGA)



DWG 140110 INSERT

**DWG 090006 FOAM
2X - LOW PROFILE CCGA
1X - HIGH PROFILE CCGA**



**DWG 090625
BOX BOTTOM**

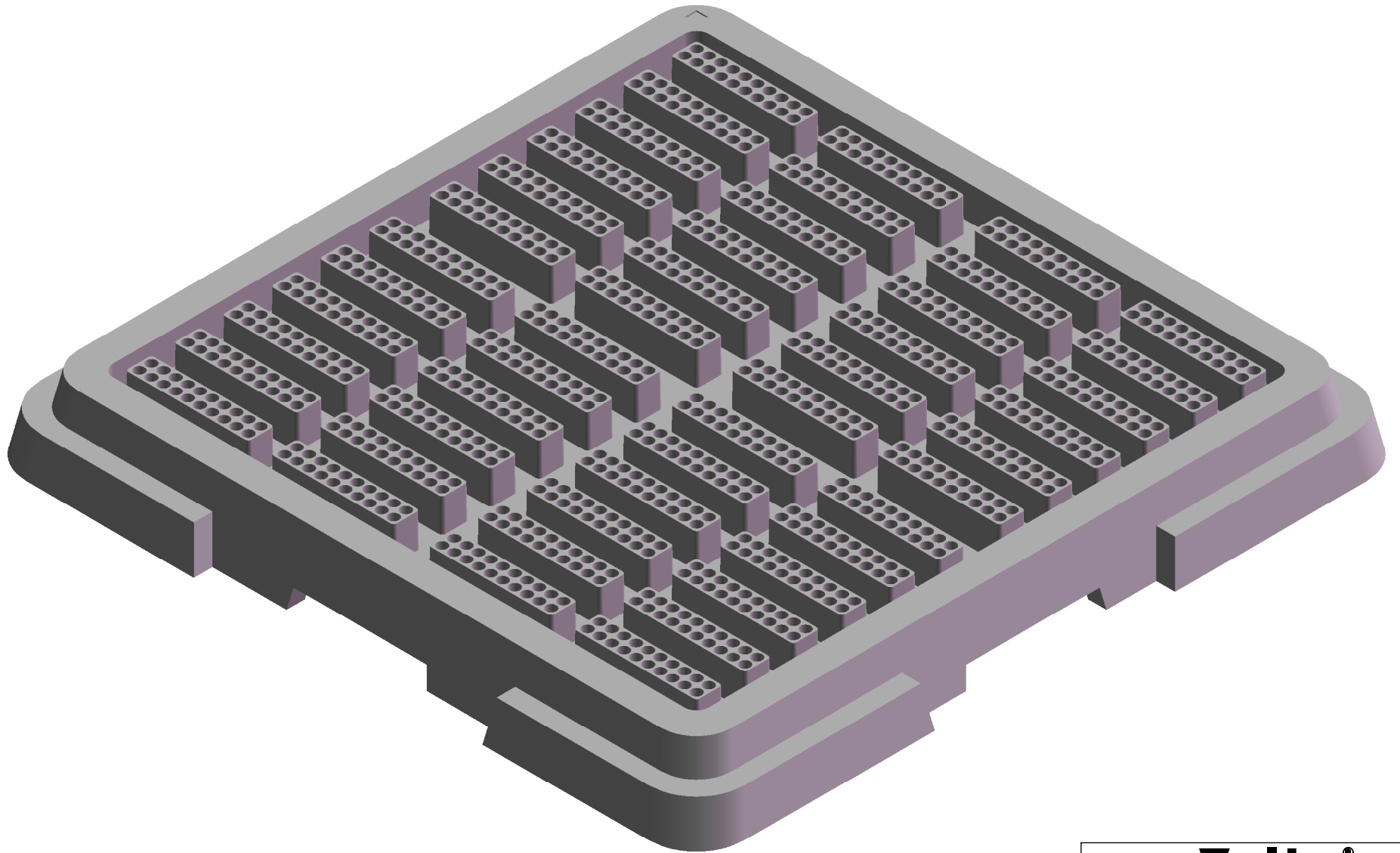


DWG 090009 LABEL



| | | | |
|----------------------------------------------|-----------|-----------------------|----------|
| TITLE CCGA1509 TRAY BOX SET BLACK CARRIER | | | |
| SCALE 1:2 | SIZE A | DRAWING NO. 931395 | REV A |
| DO NOT SCALE DRAWING | | SHEET 2 OF 13 | |

MODEL
TOP



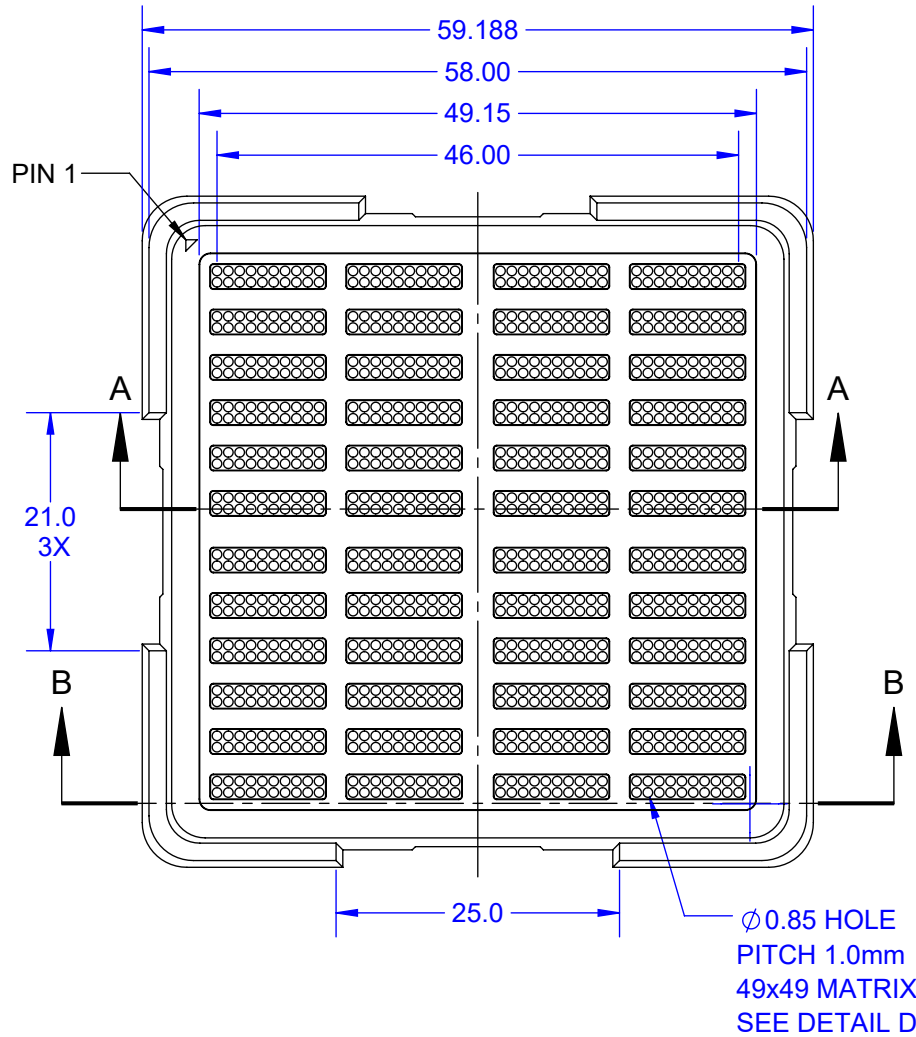
TopLine®

TITLE CCGA1509 TRAY BOX SET
BLACK CARRIER

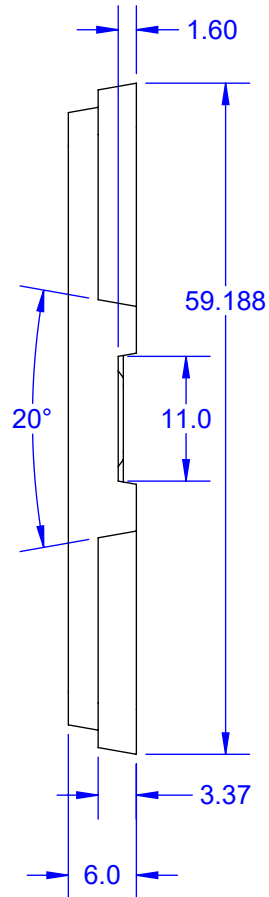
| | | | |
|--------------|-----------|-----------------------|----------|
| SCALE 3:1 | SIZE A | DRAWING NO. 931395 | REV A |
|--------------|-----------|-----------------------|----------|

DO NOT SCALE DRAWING SHEET 3 OF 13

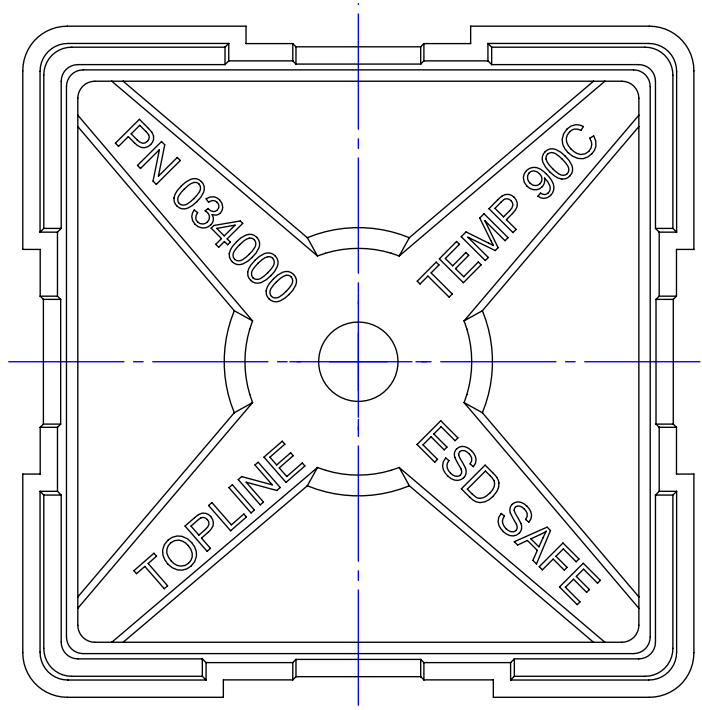
TOP



SIDE

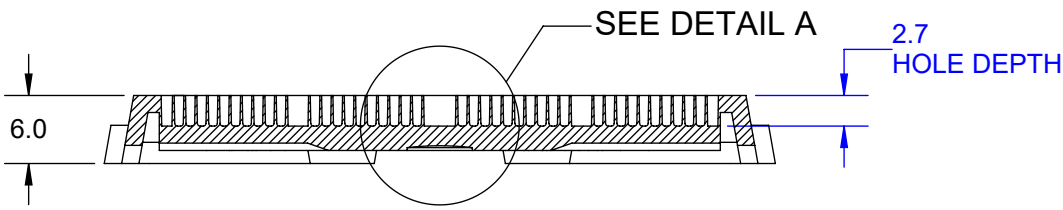


BOTTOM



NOTES:

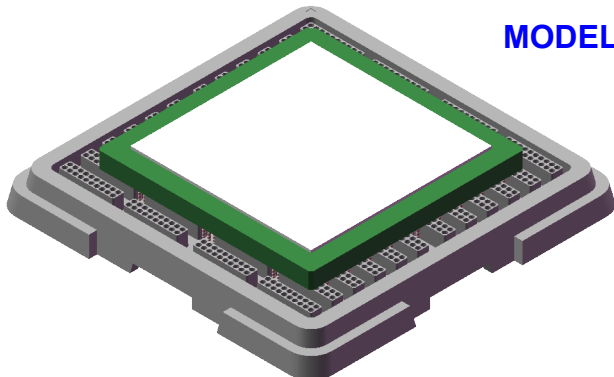
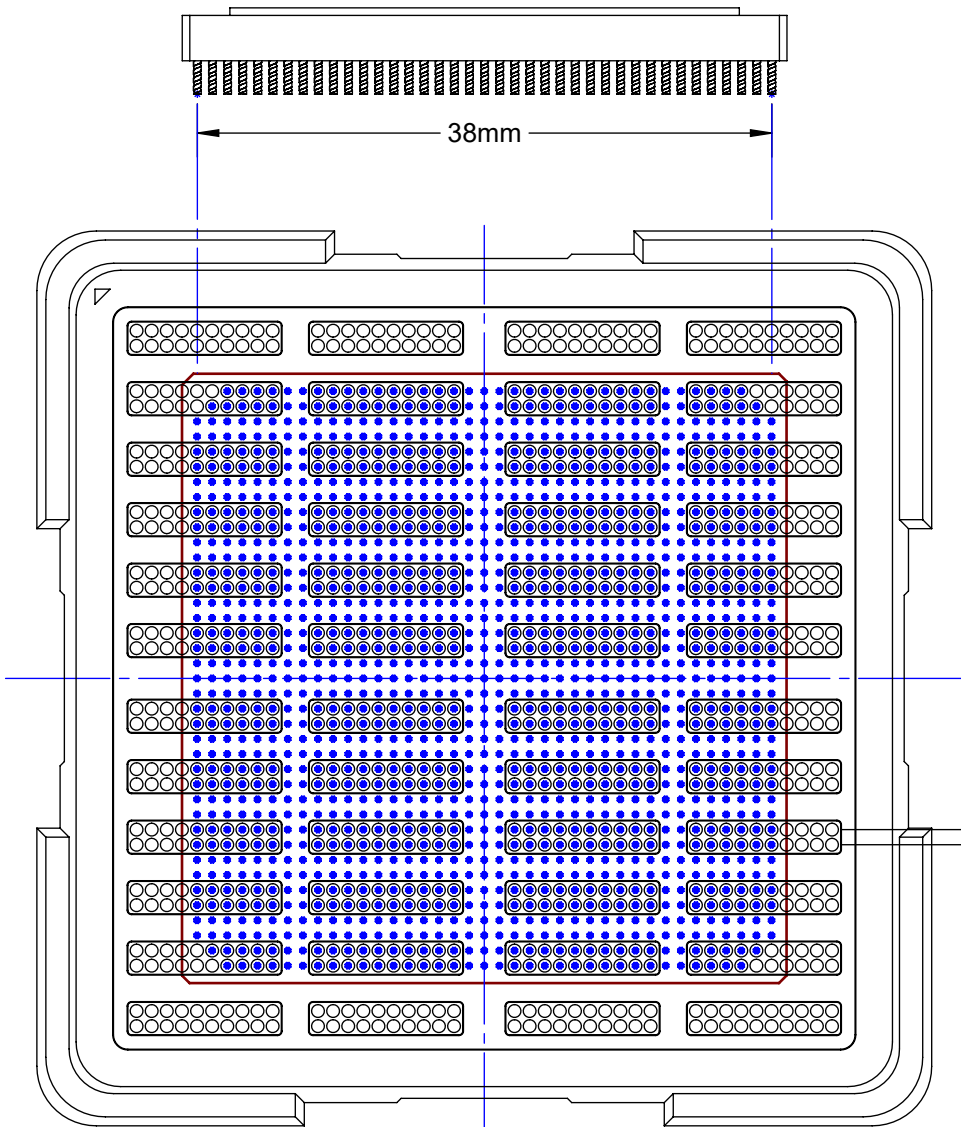
1. DIMENSION MM.
2. MATERIAL: CONDUCTIVE POLYCARBONATE.
3. TEMPERATURE 90°C MAX.
4. COLOR: BLACK.
5. PERMANENT ESD SAFE
SURFACE RESISTIVITY $10^4 \sim 10^6 \Omega$.



SECTION A-A

| | | | | | |
|-------------|----------|----------------------------------------------|------|-------------|---------------|
| APPROVALS | DATE | TopLine® | | | |
| DRAWN T. Au | 1/2/2023 | | | | |
| ENG M. Hart | 1/2/2023 | TITLE CCGA1509 TRAY BOX SET BLACK CARRIER | | | |
| TOLERANCE | MFG | SCALE | SIZE | DRAWING NO. | REV |
| [X] MM | QA | 3:2 | A | 931395 | A |
| X.X = ±0.2 | CUST | DO NOT SCALE DRAWING | | | SHEET 4 OF 13 |
| X.XX = ±0.1 | REVISED | | | | |

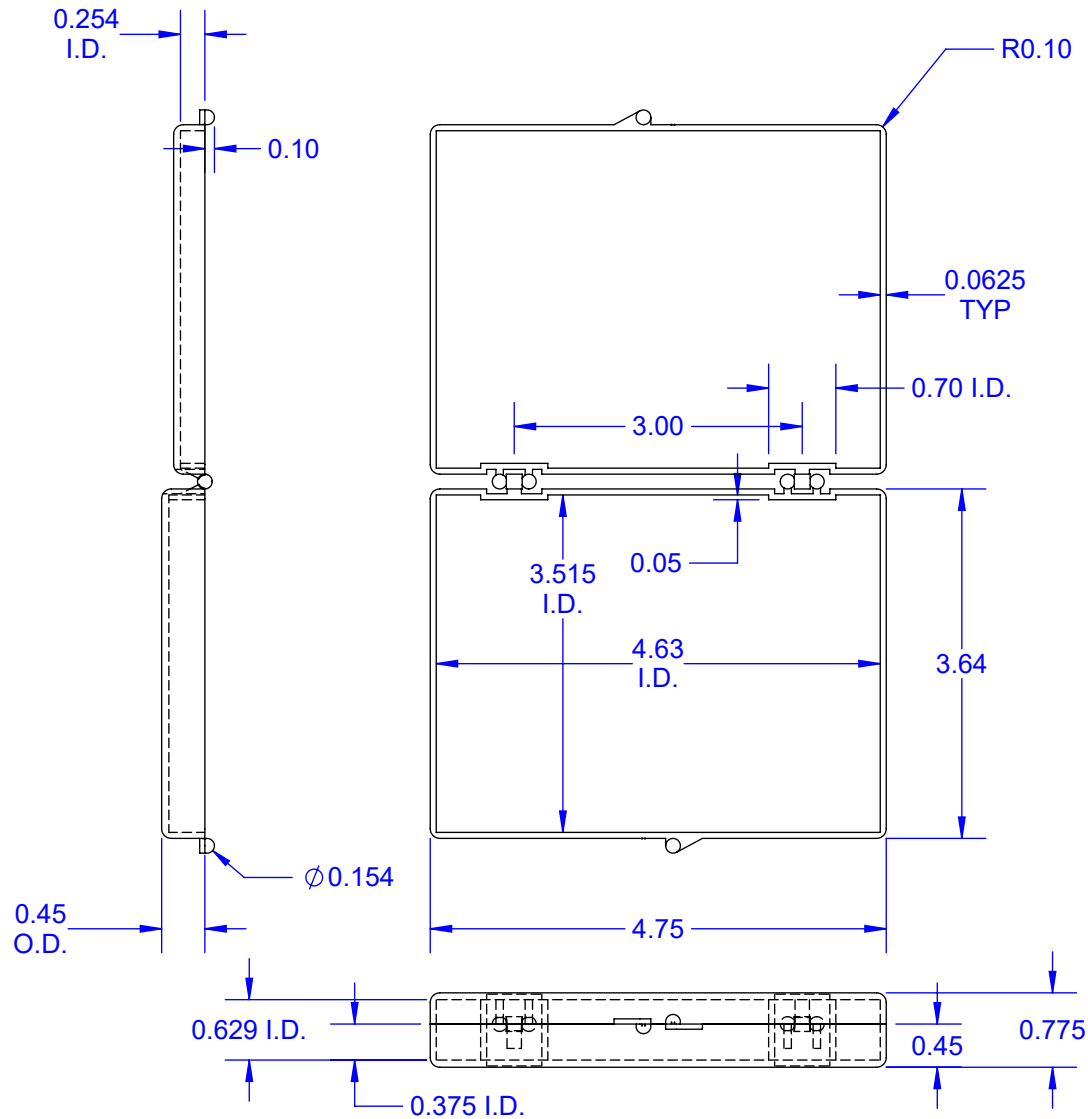
**CCGA1509
COLUMNS 39X39
40X40mm**



PITCH
1.0mm TYP.

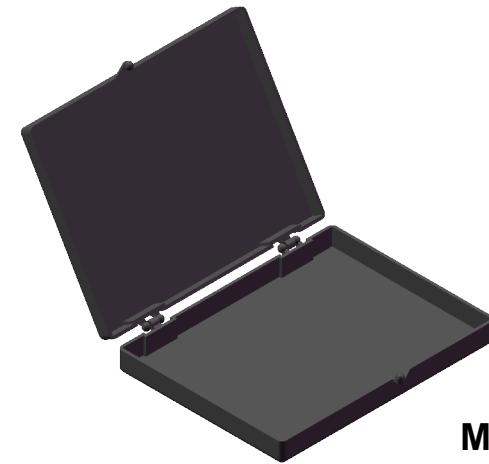
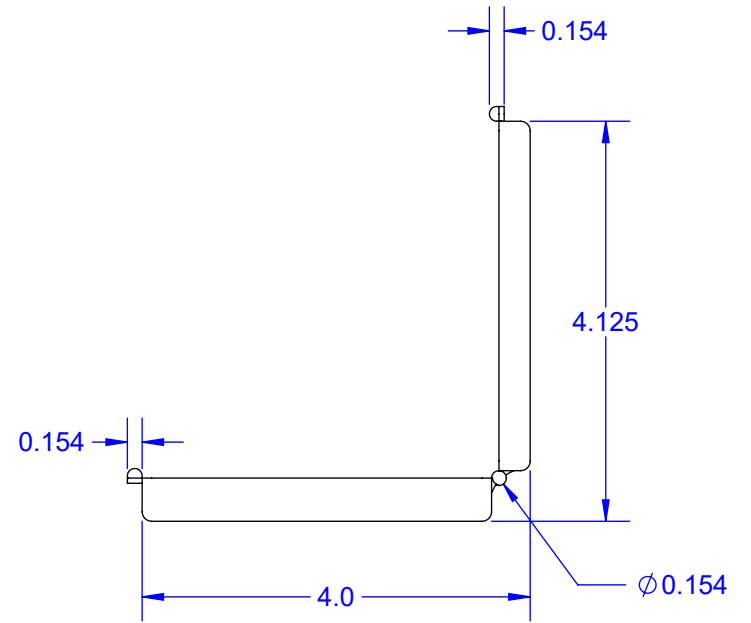
| | | | |
|----------------------------|------|----------------------------------------|---------------|
| TopLine[®] | | | |
| TITLE | | CCGA1509 TRAY BOX SET BLACK CARRIER | |
| SCALE | SIZE | DRAWING NO. | REV |
| 2:1 | A | 931395 | A |
| DO NOT SCALE DRAWING | | | SHEET 5 OF 13 |

TOP (OPEN)



FRONT (CLOSED)

SIDE VIEW (OPEN)



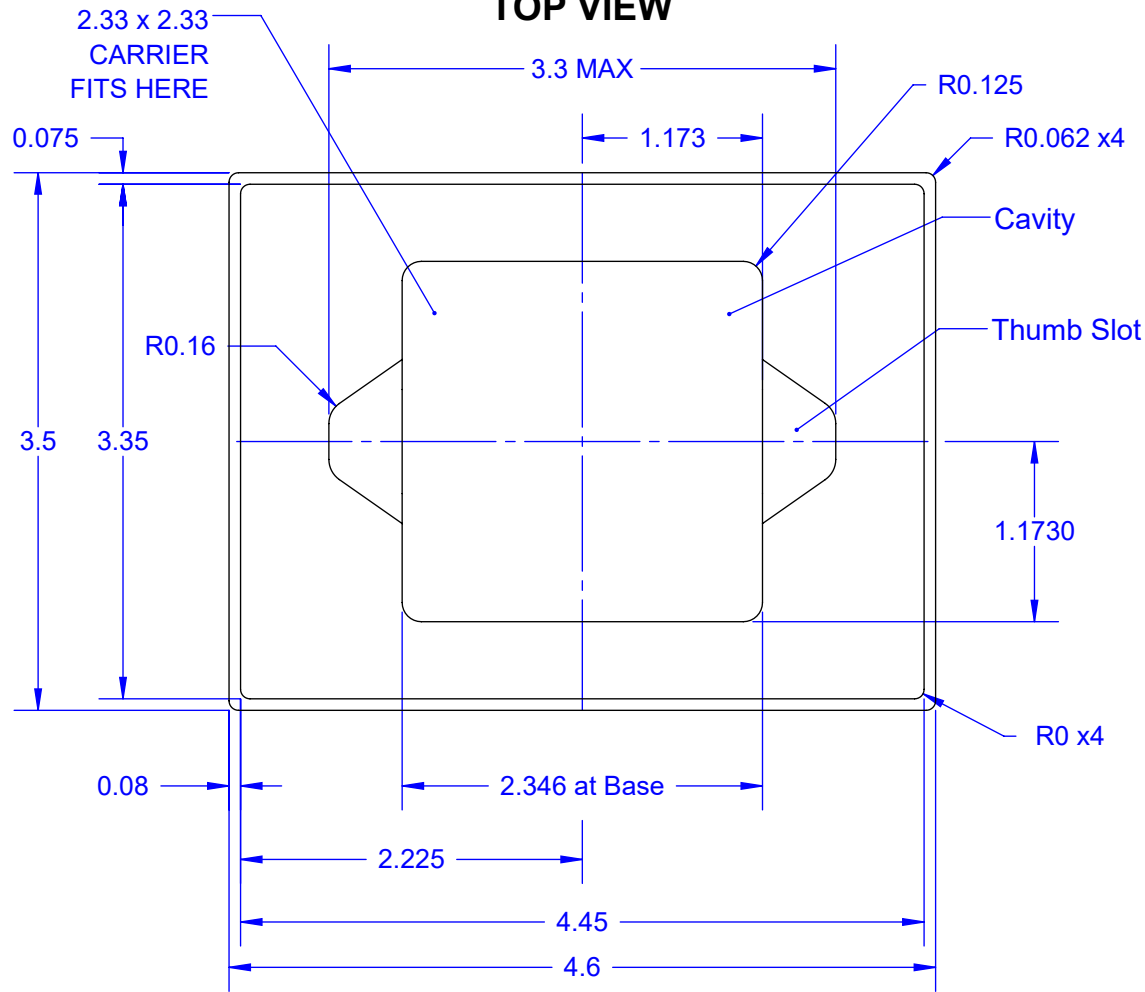
MODEL

Notes: (Unless Otherwise Specified).

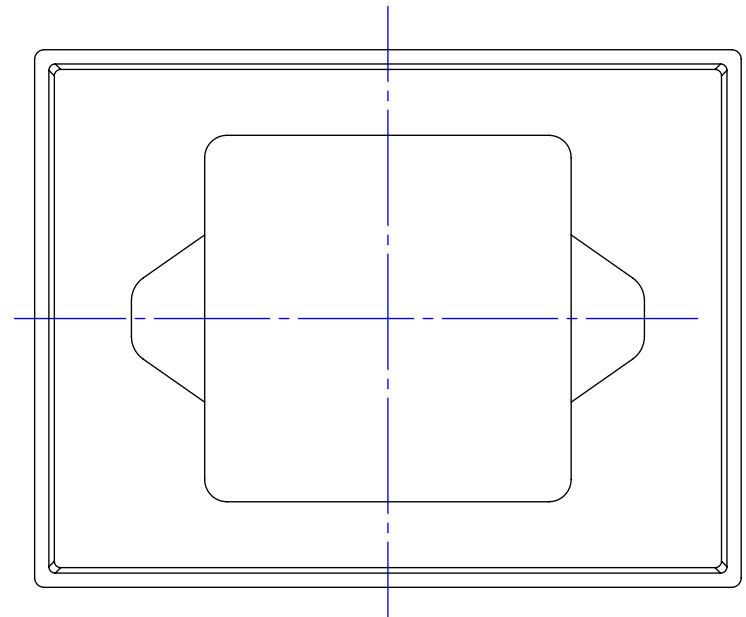
- 1) SURFACE RESISTIVITY: $10^4 \sim 10^5 \Omega$.
- 2) MATERIAL: CARBON FILLED POLYPROPYLENE.
- 3) DIMENSIONS IN INCHES.

| | | | |
|----------------------|------|-----------------------------|---------------|
| TopLine® | | | |
| TITLE | | EC1-15mm EMPTY HINGE BOX | |
| SCALE | SIZE | DRAWING NO. | REV |
| 1:2 | A | 090625 | A |
| DO NOT SCALE DRAWING | | | SHEET 6 OF 13 |

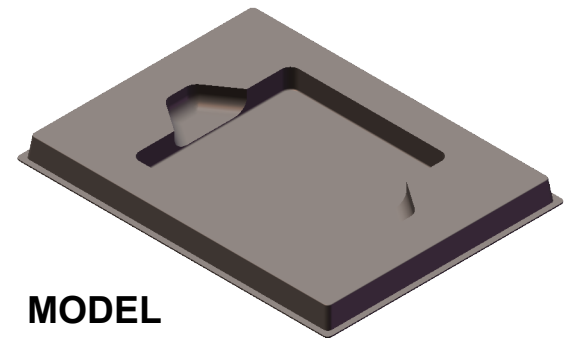
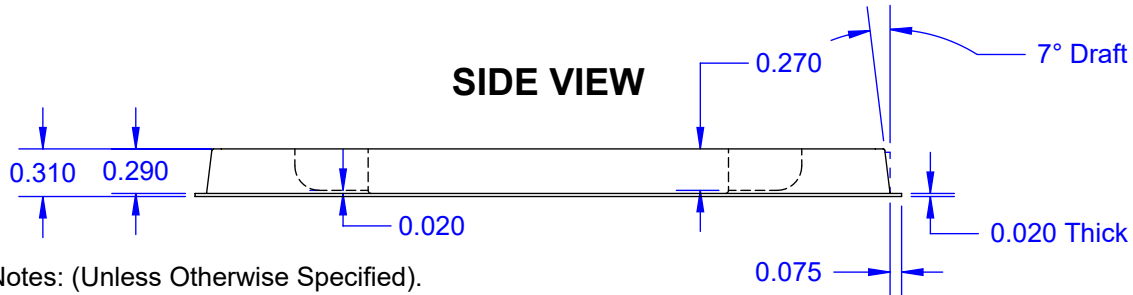
TOP VIEW



BOTTOM VIEW



SIDE VIEW



MODEL

Notes: (Unless Otherwise Specified).

- 1) DIMENSIONS: INCHES.
- 2) MATERIAL: CONDUCTIVE STYRENE.
- 3) SURFACE RESISTIVITY <math>< 10^4 \Omega</math>.

TopLine®

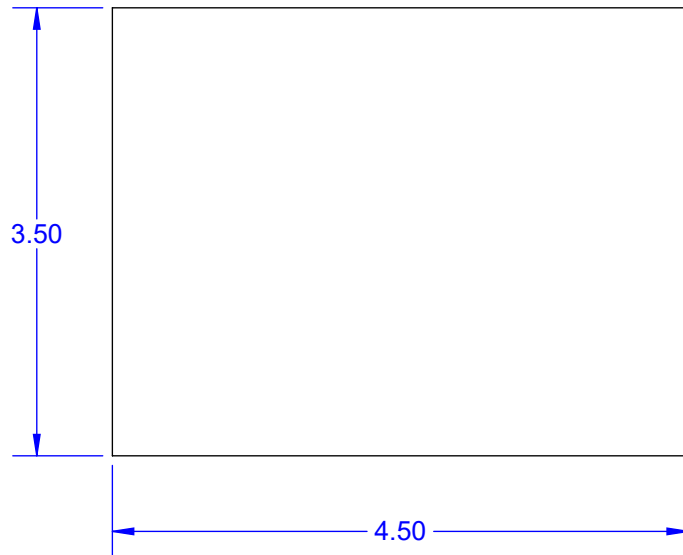
TITLE CCGA TRAY INSERT
FOR 4.625 x 3.5 HINGE BOX

| SCALE | SIZE | DRAWING NO. | REV |
|-------|------|-------------|-----|
| 2:2.5 | A | 140110 | A |

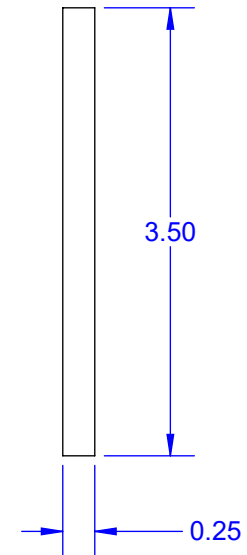
DO NOT SCALE DRAWING

SHEET 7 OF 13

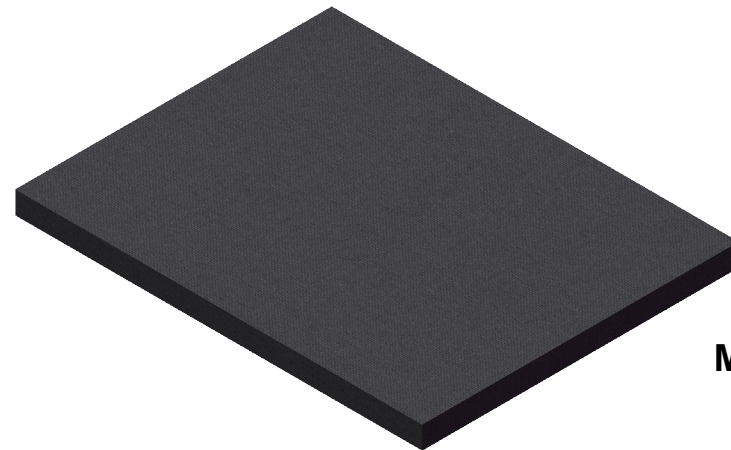
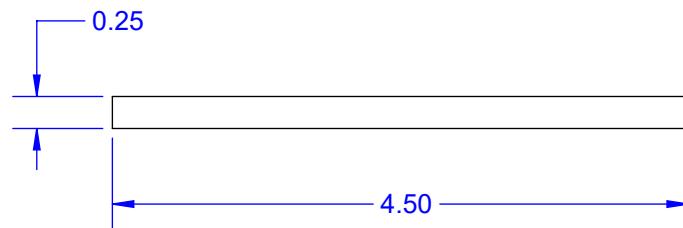
TOP



EDGE



SIDE

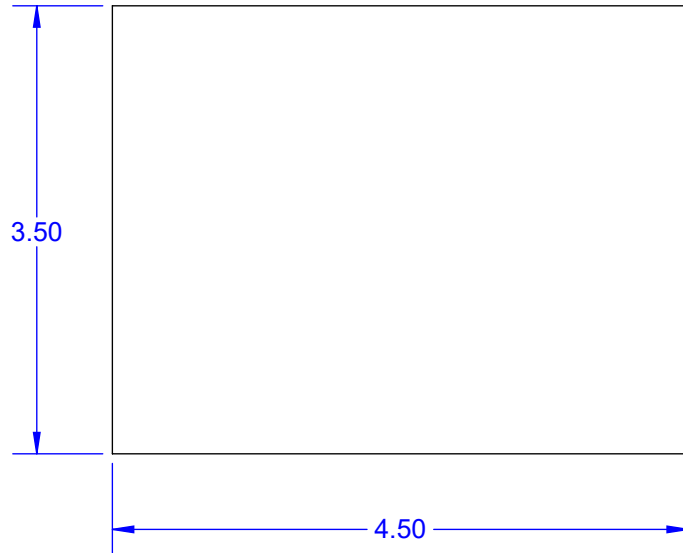


MODEL

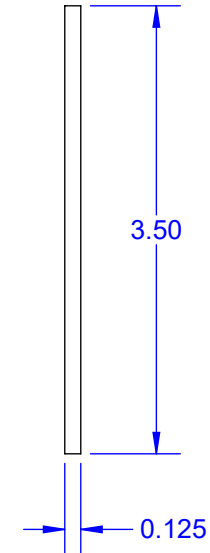
- Notes: (Unless Otherwise Specified).
- 1) SURFACE RESISTIVITY: $10^5 \sim 10^6 \Omega$
 - 3) DENSITY 1.7 PFC Min.
 - 4) DIMENSIONS IN INCHES.

| | | | |
|----------------------|------|-----------------------------------------|---------------|
| TopLine® | | | |
| TITLE | | EC1-FOAM-SOFT-.25-A LOW DENSITY FOAM | |
| SCALE | SIZE | DRAWING NO. | REV |
| 1:1.5 | A | 090003 | A |
| DO NOT SCALE DRAWING | | | SHEET 8 OF 13 |

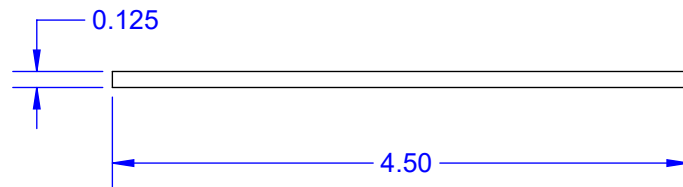
TOP



EDGE



SIDE

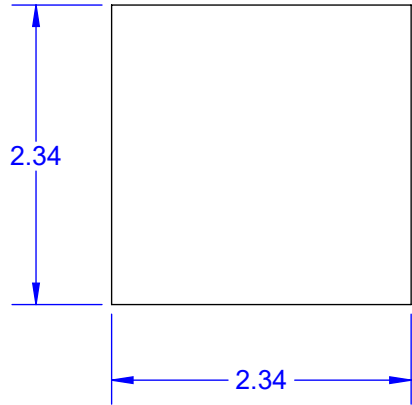


MODEL

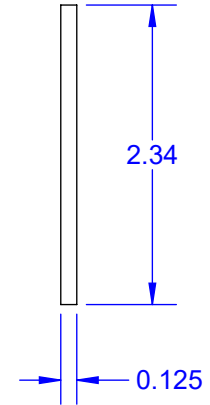
- Notes: (Unless Otherwise Specified).
- 1) SURFACE RESISTIVITY: $10^5 \sim 10^6 \Omega$
 - 3) DENSITY 1.7 PFC Min.
 - 4) DIMENSIONS IN INCHES.

| | | | |
|---------------------------------------------------|-----------|-----------------------|----------|
| TopLine® | | | |
| TITLE EC1-FOAM-SOFT-.125-A LOW DENSITY FOAM | | | |
| SCALE 1:1.5 | SIZE A | DRAWING NO. 090006 | REV A |
| DO NOT SCALE DRAWING | | SHEET 9 OF 13 | |

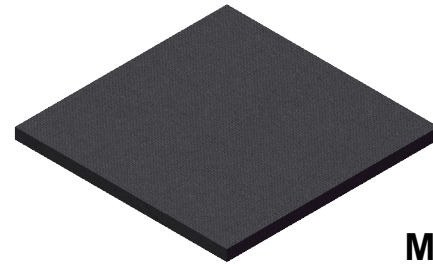
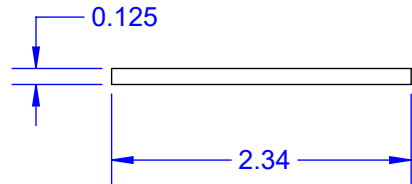
TOP



EDGE



SIDE

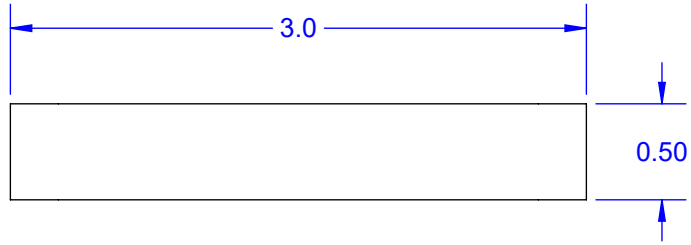


MODEL

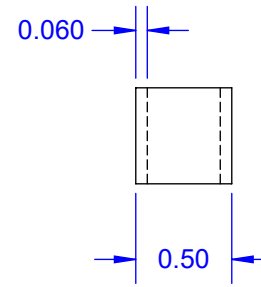
- Notes: (Unless Otherwise Specified).
- 1) SURFACE RESISTIVITY: $10^5 \sim 10^6 \Omega$.
 - 2) SOFT CONDUCTIVE FOAM.
 - 3) DENSITY 1.7 PFC Min.

| | | | |
|----------------------------|------|-------------------------------------|----------------|
| TopLine[®] | | | |
| TITLE | | LOW DENSITY FOAM FOAM-SOFT-2.34A | |
| SCALE | SIZE | DRAWING NO. | REV |
| 1:1.5 | A | 090011 | A |
| DO NOT SCALE DRAWING | | | SHEET 10 OF 13 |

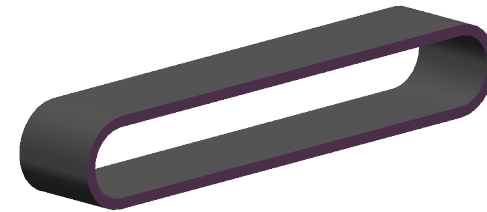
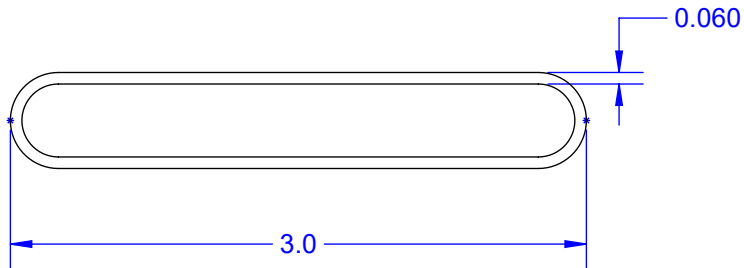
TOP



EDGE



SIDE



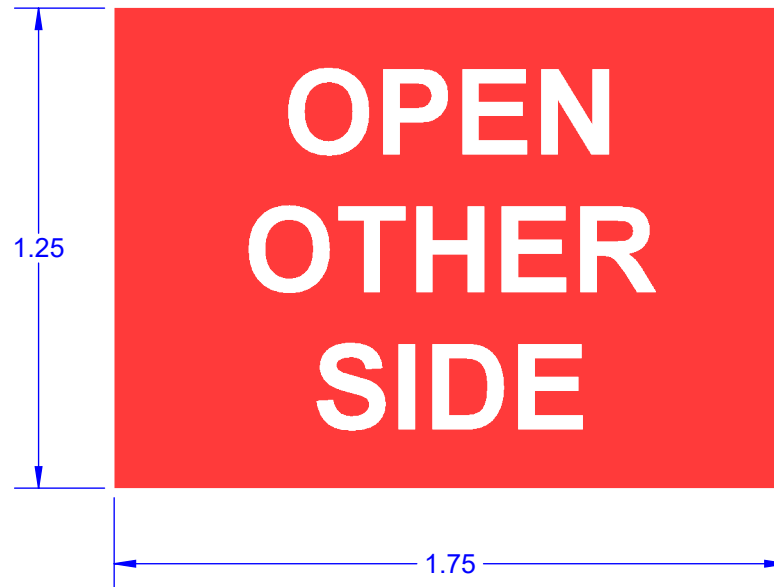
MODEL

Notes: (Unless Otherwise Specified).

1) SURFACE RESISTIVITY: $10^5 \sim 10^6$.

2) DIMENSIONS IN INCHES (RESTING POSITION).

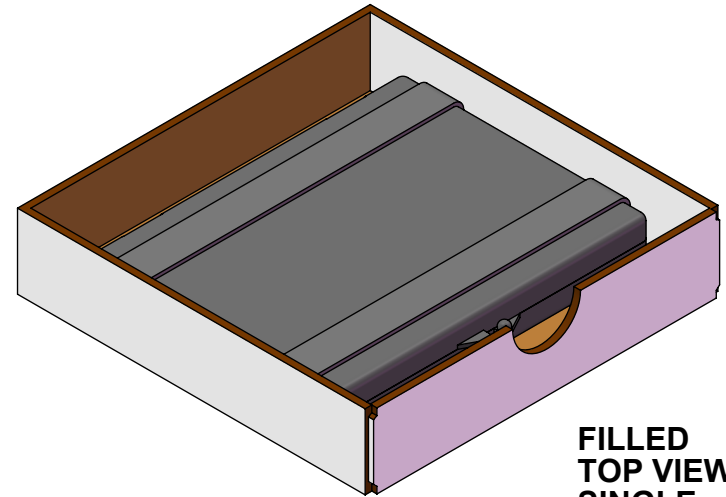
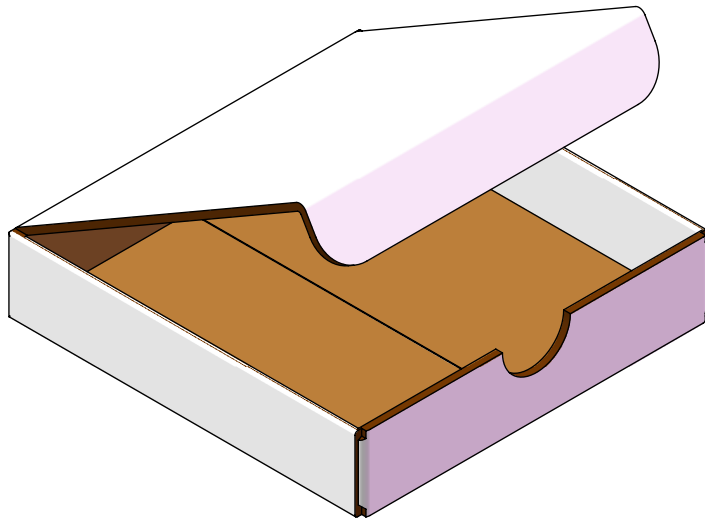
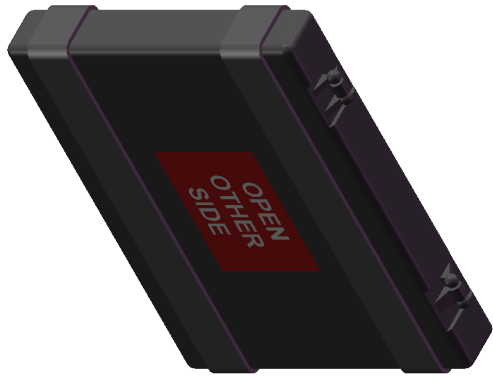
| | | | |
|----------------------------|------|---------------------------------------|----------------|
| TopLine[®] | | | |
| TITLE | | RUBBER BAND-3.0-C BLACK CONDUCTIVE | |
| SCALE | SIZE | DRAWING NO. | REV |
| 1:1 | A | 090005 | A |
| DO NOT SCALE DRAWING | | | SHEET 11 OF 13 |



Notes: (Unless Otherwise Specified).

1. DIMENSIONS INCHES.
2. MATERIAL: PAPER LABEL WITH ADHESIVE.
3. COLOR: RED.
4. PURPOSE: IDENTIFY BOTTOM OF HINGE BOX.

| | | | |
|----------------------------|------|----------------------------------|----------------|
| TopLine[®] | | | |
| TITLE | | LABEL FOR BOTTOM OF HINGE BOX | |
| SCALE | SIZE | DRAWING NO. | REV |
| 2:1 | A | 090009 | A |
| DO NOT SCALE DRAWING | | | SHEET 12 OF 13 |



**FILLED
TOP VIEW
SINGLE**

Notes: (Unless Otherwise Specified).

1. DIMENSIONS INCHES.
2. MEASUREMENT INCLUDES RUBBER BANDS.
3. BOX SIZE SUBJECT TO CHANGE.

TopLine®

TITLE CCGA TRAY BOX CARRIER
CARTON

| | | | |
|--------------|-----------|-----------------------|----------|
| SCALE 1:2 | SIZE A | DRAWING NO. 900001 | REV A |
|--------------|-----------|-----------------------|----------|

DO NOT SCALE DRAWING

SHEET 13 OF 13