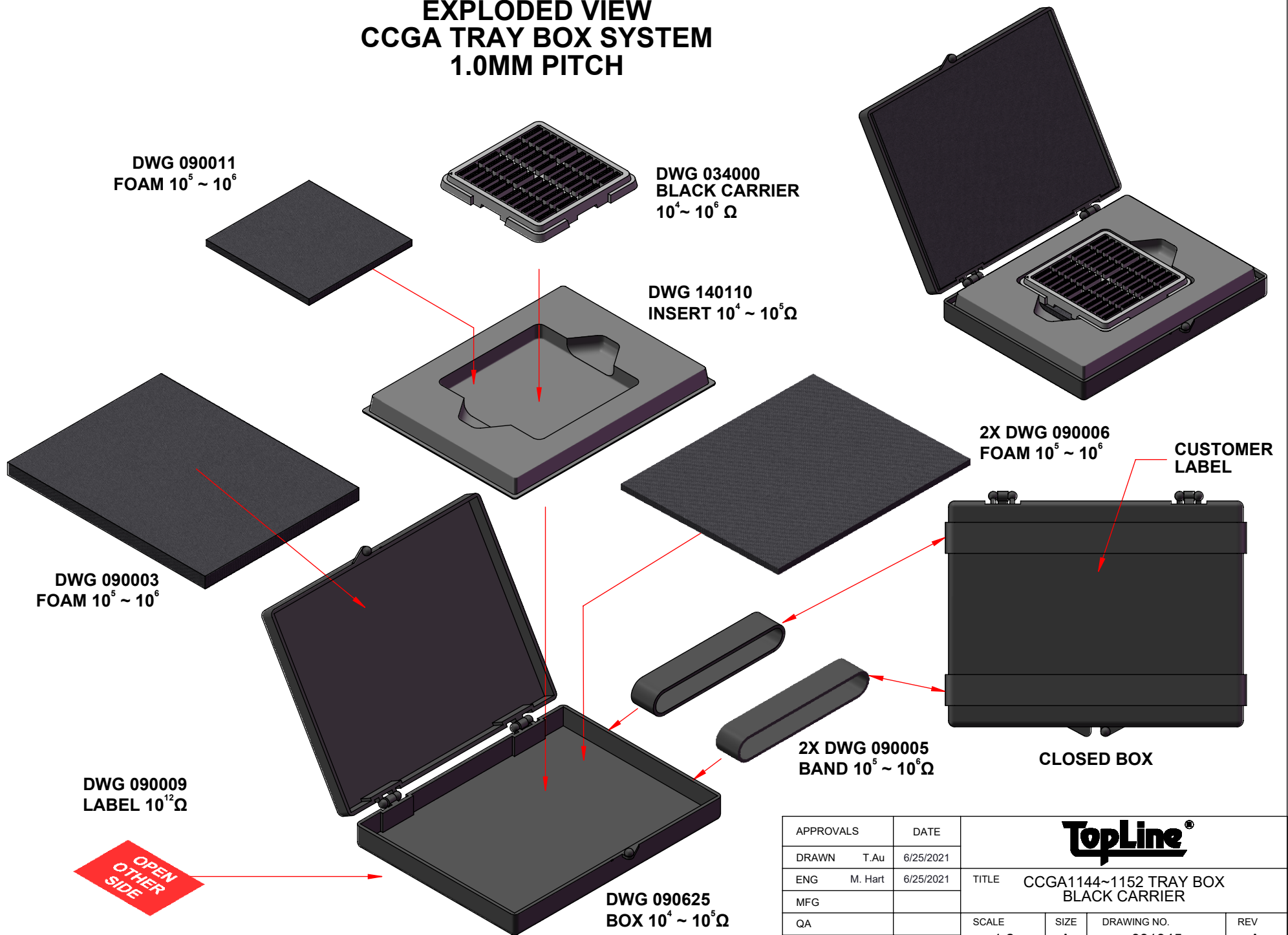


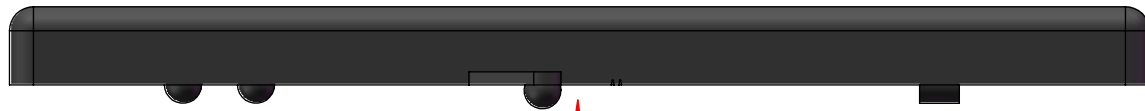
# EXPLODED VIEW CCGA TRAY BOX SYSTEM 1.0MM PITCH



APPROVALS	DATE	<b>TopLine®</b>			
DRAWN T. Au	6/25/2021				
ENG M. Hart	6/25/2021	TITLE CCGA1144~1152 TRAY BOX BLACK CARRIER			
MFG		SCALE	SIZE	DRAWING NO.	REV
QA		1:2	A	931345	A
CUST		DO NOT SCALE DRAWING			SHEET 1 OF 13
REVISED					

**EXPLODED SIDE VIEW  
PITCH 1.0mm**

CUSTOMER LABEL



DWG 090625 BOX TOP



DWG 090003 FOAM (LOW PROFILE CCGA)  
DWG 090006 FOAM (HIGH PROFILE CCGA)



CCGA COMPONENT



DWG 034000 CARRIER



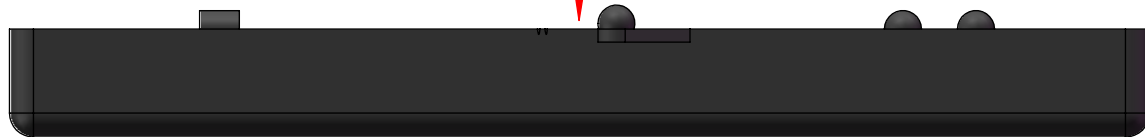
DWG 090011 FOAM (OPTIONAL LOW PROFILE CCGA)



DWG 140110 INSERT



DWG 090006 FOAM  
2X - LOW PROFILE CCGA  
1X - HIGH PROFILE CCGA



DWG 090625  
BOX BOTTOM

DWG 090009 LABEL

**TopLine®**

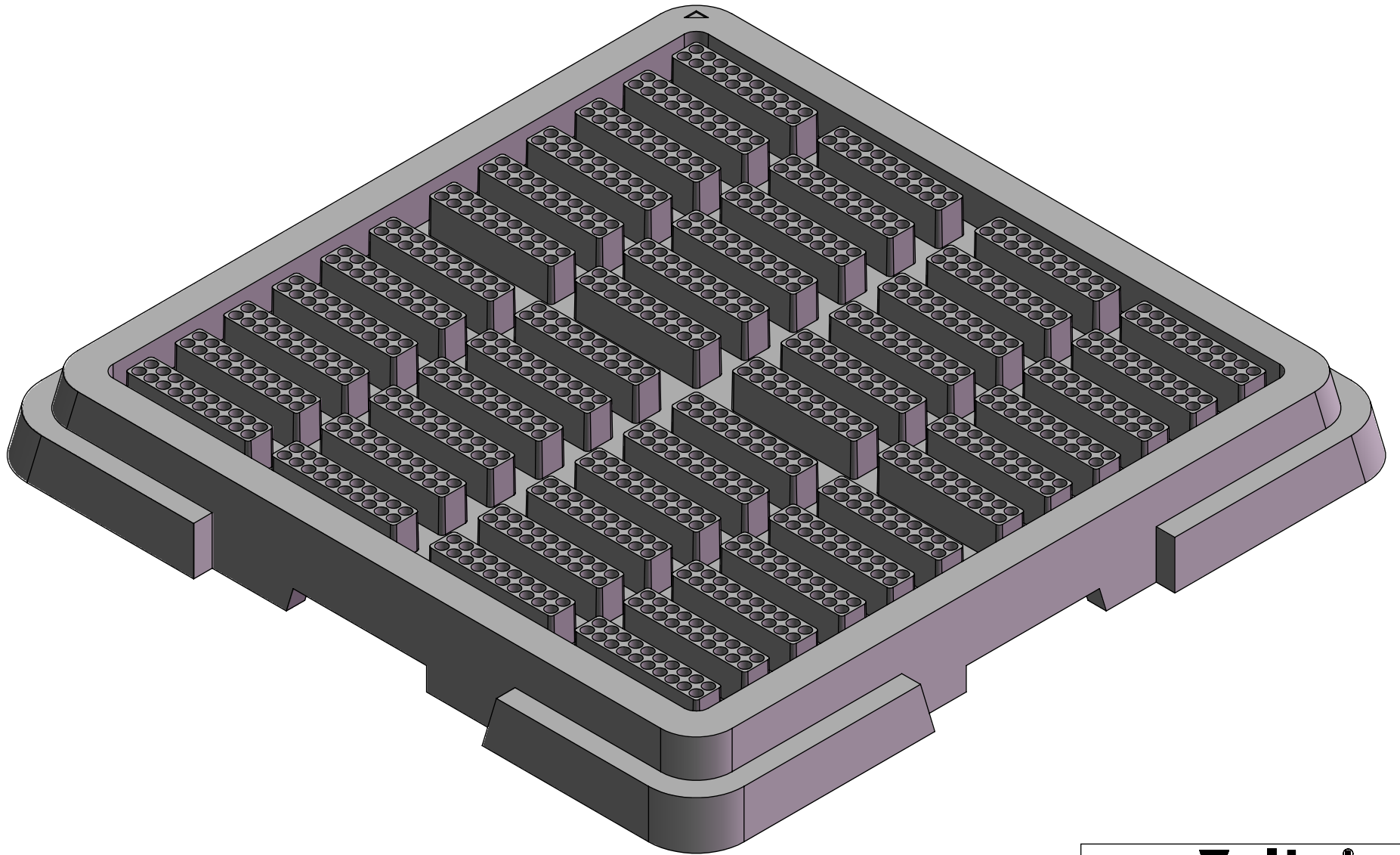
TITLE CCGA1144~1152 TRAY BOX  
BLACK CARRIER

SCALE 1:2	SIZE A	DRAWING NO. 931345	REV A
--------------	-----------	-----------------------	----------

DO NOT SCALE DRAWING

SHEET 2 OF 13

MODEL  
TOP



**TopLine**<sup>®</sup>

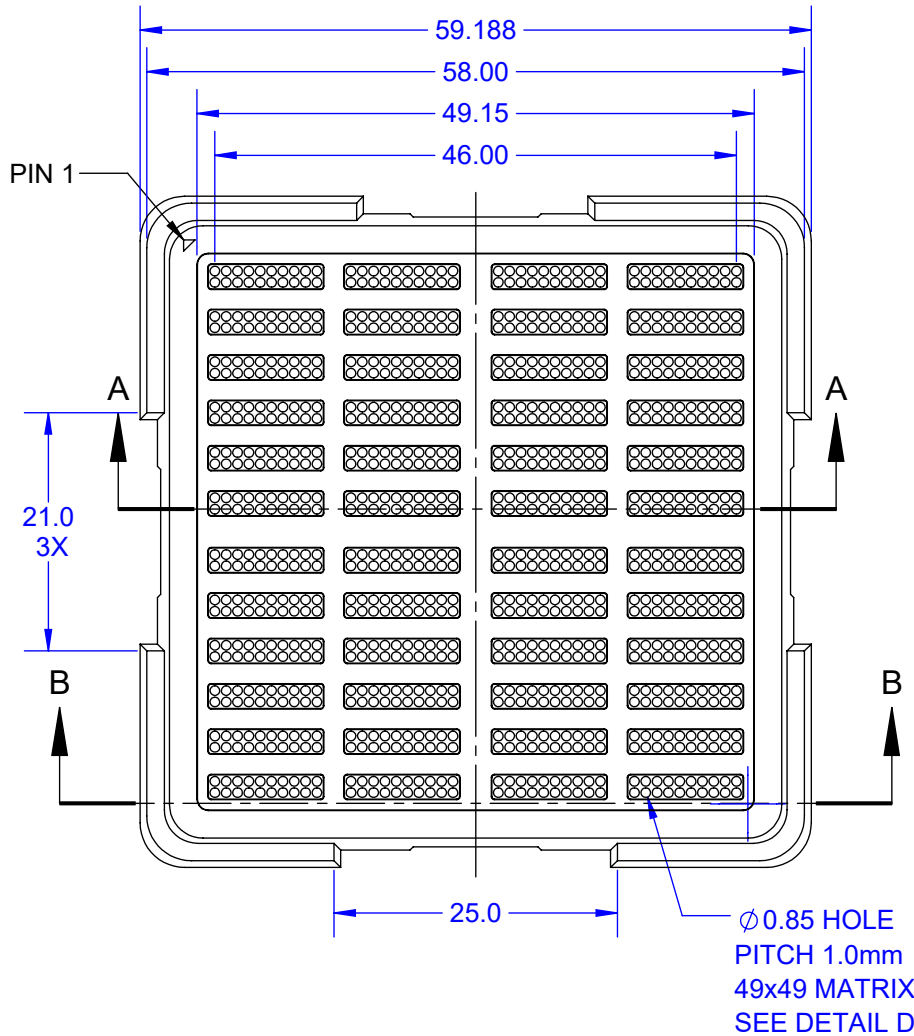
TITLE CCGA1144~1152 TRAY BOX  
BLACK CARRIER

SCALE 3:1	SIZE A	DRAWING NO. 931345	REV A
--------------	-----------	-----------------------	----------

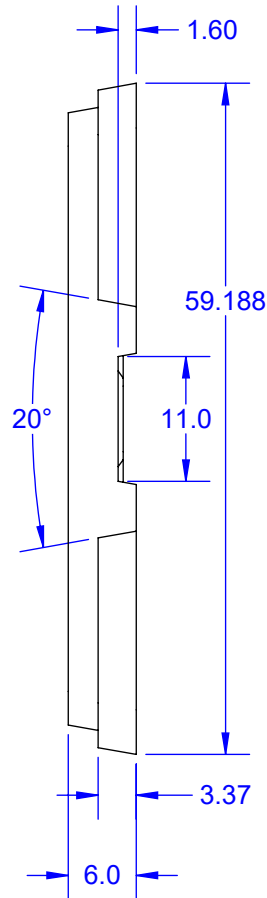
DO NOT SCALE DRAWING

SHEET 3 OF 13

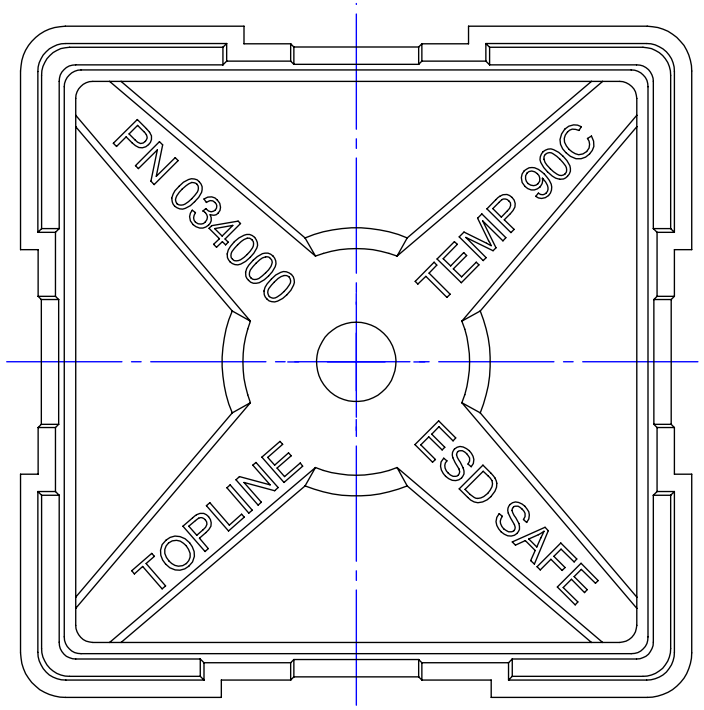
**TOP**



**SIDE**

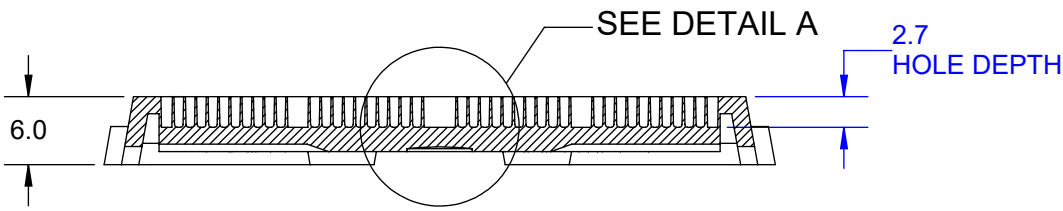


**BOTTOM**



**NOTES:**

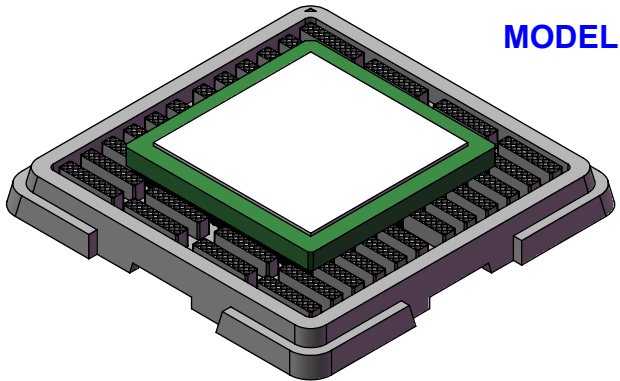
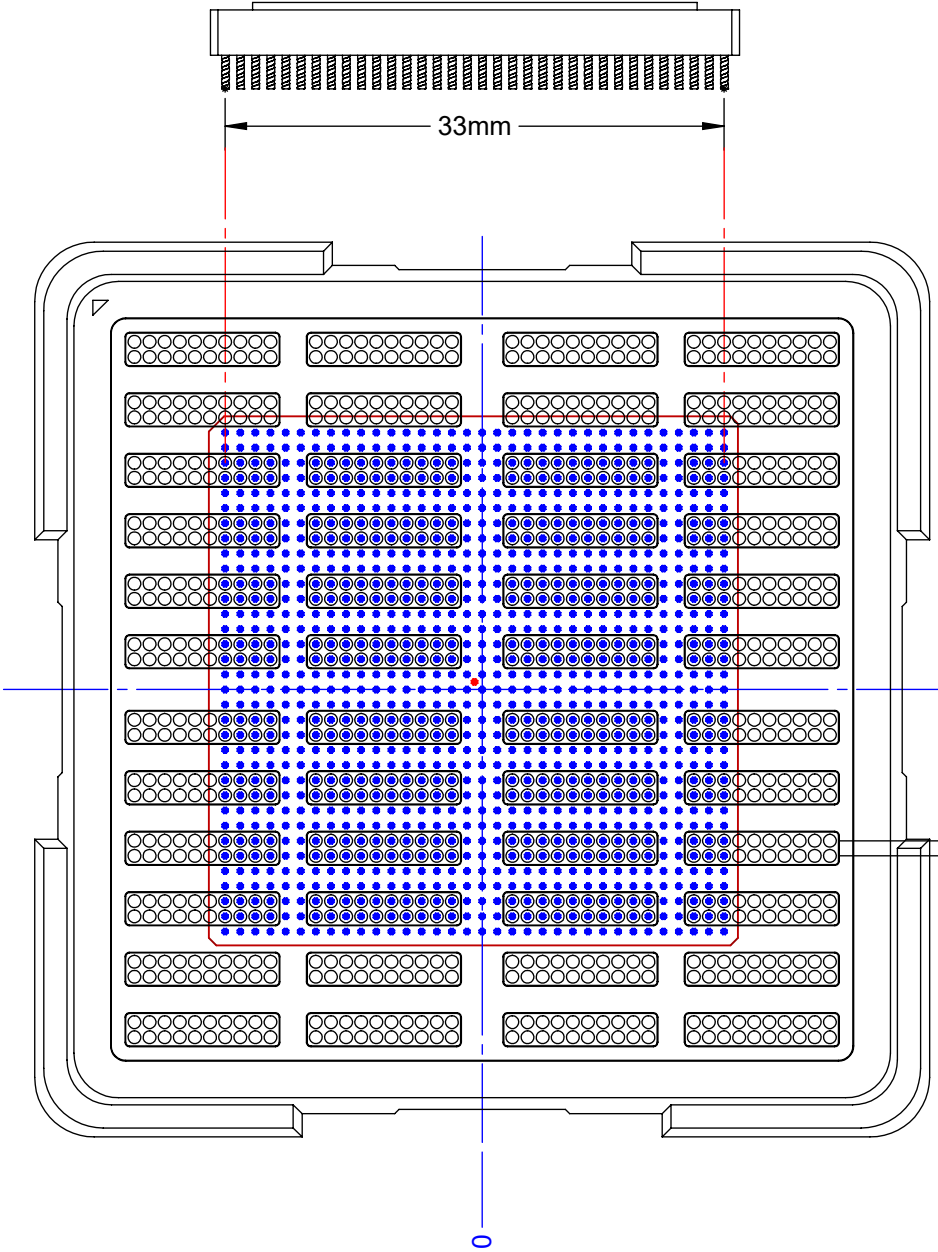
1. DIMENSION MM.
2. MATERIAL: CONDUCTIVE POLYCARBONATE.
3. TEMPERATURE 90°C MAX.
4. COLOR: BLACK.
5. PERMANENT ESD SAFE  
SURFACE RESISITIVITY  $10^4 \sim 10^6 \Omega$ .



**SECTION A-A**

APPROVALS	DATE	<b>TopLine®</b>			
DRAWN T. Au	6/26/2021				
ENG M. Hart	6/26/2021	TITLE CCGA1144~1152 TRAY BOX BLACK CARRIER			
TOLERANCE	MFG	SCALE	SIZE	DRAWING NO.	REV
[X] MM	QA	3:2	A	931345	A
X.X = ±0.2	CUST	DO NOT SCALE DRAWING			SHEET 4 OF 13
X.XX = ±0.1	REVISED				

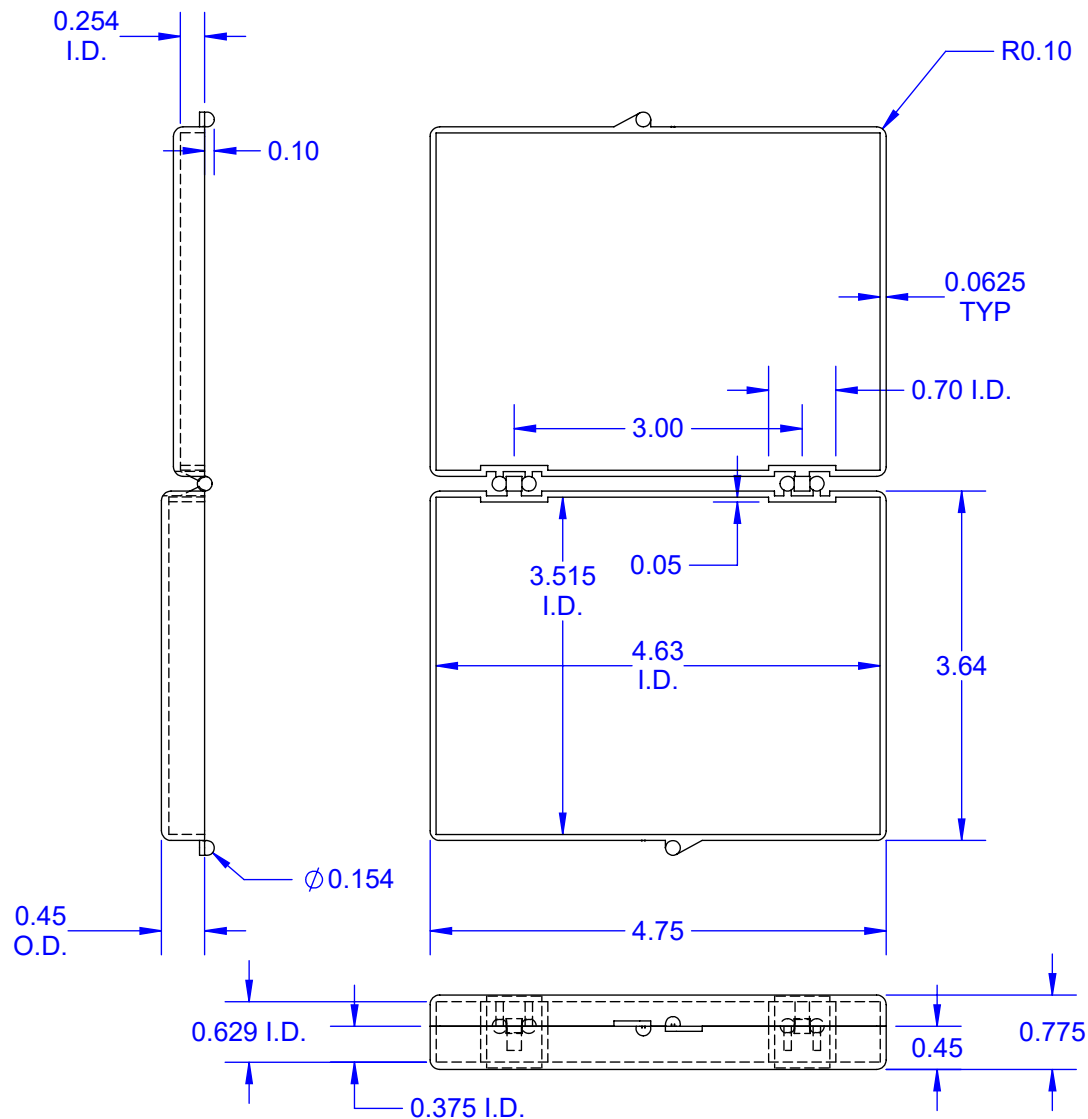
CCGA1140~1152  
 COLUMNS 34x34  
 35x35mm



PITCH  
 1.0mm TYP.

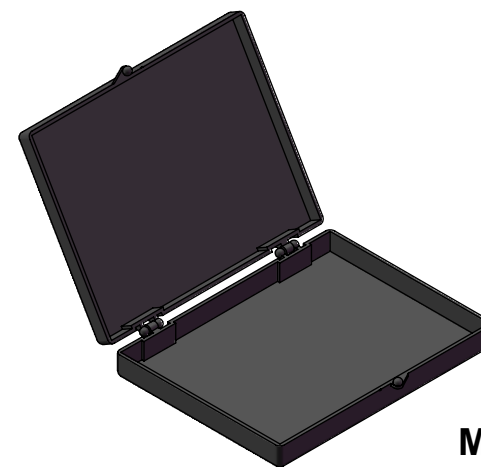
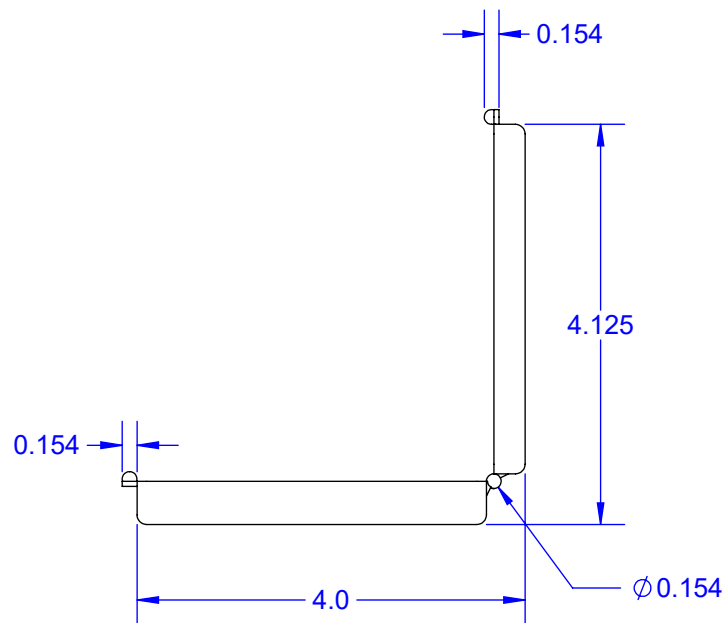
<b>TopLine®</b>			
TITLE CCGA1144~1152 TRAY BOX BLACK CARRIER			
SCALE 2:1	SIZE A	DRAWING NO. 931345	REV A
DO NOT SCALE DRAWING			SHEET 5 OF 13

### TOP (OPEN)



### FRONT (CLOSED)

### SIDE VIEW (OPEN)



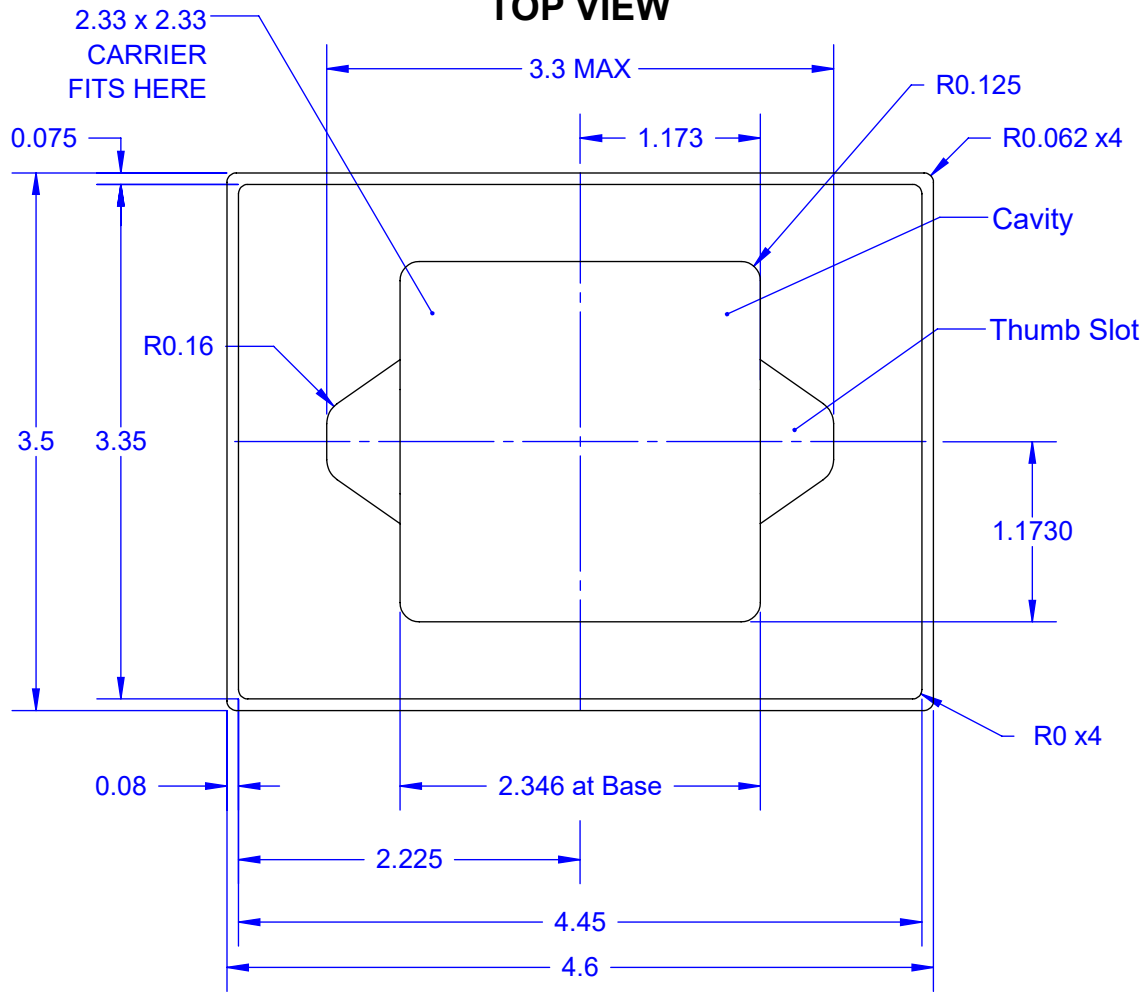
**MODEL**

Notes: (Unless Otherwise Specified).

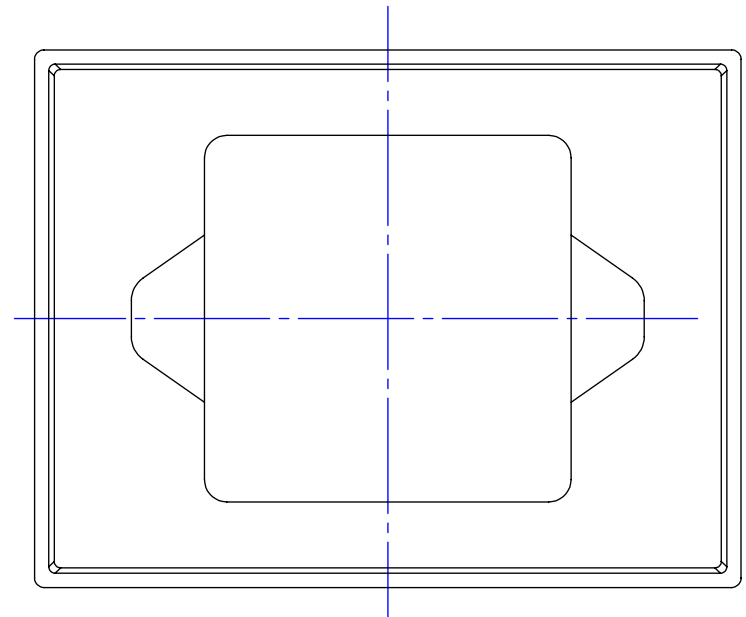
- 1) SURFACE RESISTIVITY:  $10^4 \sim 10^5 \Omega$ .
- 2) MATERIAL: CARBON FILLED POLYPROPYLENE.
- 3) DIMENSIONS IN INCHES.

<b>TopLine®</b>			
TITLE		EC1-15mm EMPTY HINGE BOX	
SCALE	SIZE	DRAWING NO.	REV
1:2	A	090625	A
DO NOT SCALE DRAWING			SHEET 6 OF 13

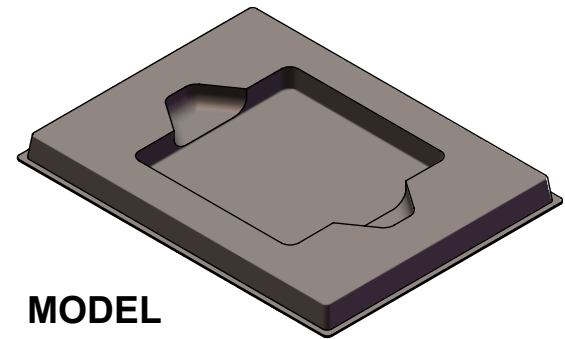
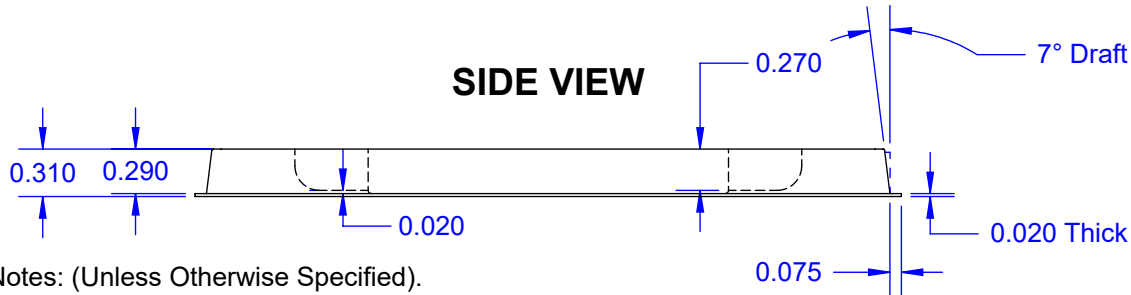
### TOP VIEW



### BOTTOM VIEW



### SIDE VIEW



MODEL

Notes: (Unless Otherwise Specified).

- 1) DIMENSIONS: INCHES.
- 2) MATERIAL: CONDUCTIVE STYRENE.
- 3) SURFACE RESISTIVITY <math>< 10^4 \Omega</math>.

**TopLine®**

TITLE CCGA TRAY INSERT  
FOR 4.625 x 3.5 HINGE BOX

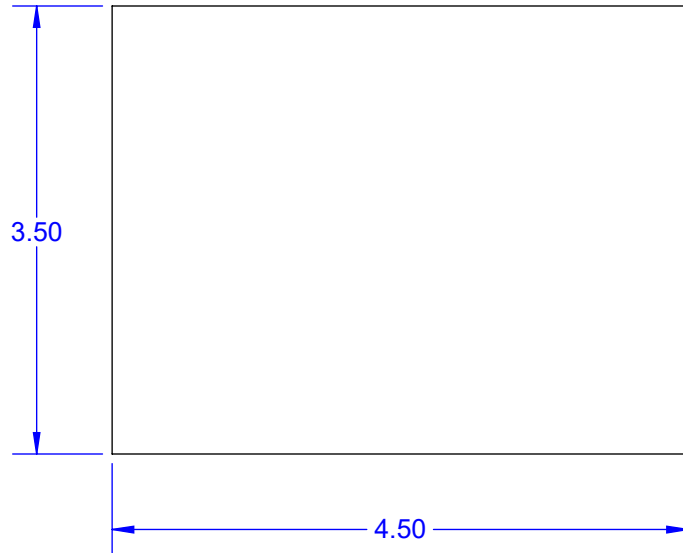
SCALE	SIZE	DRAWING NO.	REV
2:2.5	A	140110	A

DO NOT SCALE DRAWING

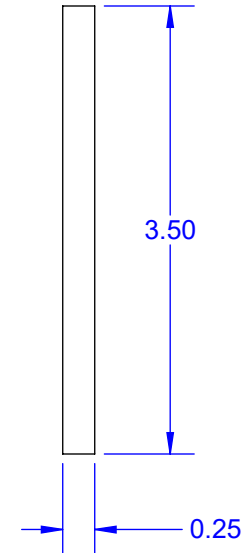
SHEET 7 OF 13



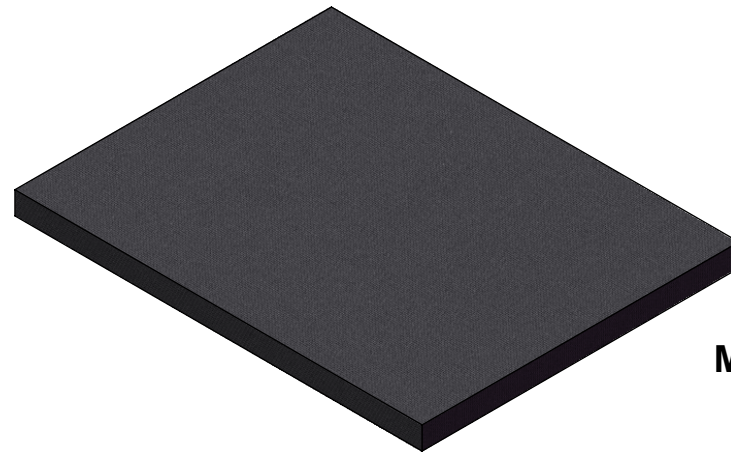
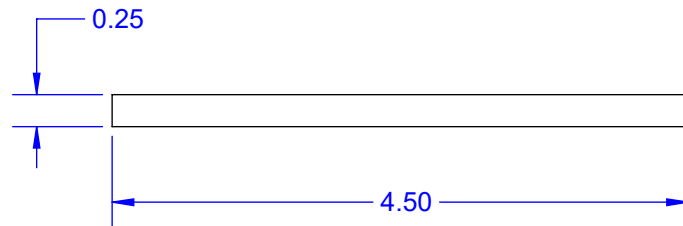
### TOP



### EDGE



### SIDE



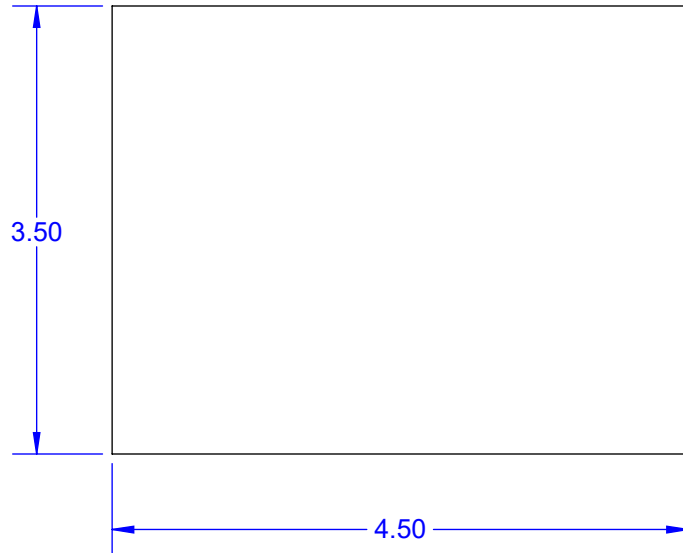
**MODEL**

- Notes: (Unless Otherwise Specified).  
1) SURFACE RESISTIVITY:  $10^5 \sim 10^6 \Omega$   
3) DENSITY 1.7 PFC Min.  
4) DIMENSIONS IN INCHES.

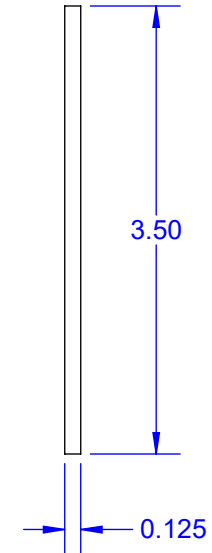
<b>TopLine®</b>			
TITLE		EC1-FOAM-SOFT-.25-A LOW DENSITY FOAM	
SCALE	SIZE	DRAWING NO.	REV
1:1.5	A	090003	A
DO NOT SCALE DRAWING			SHEET 8 OF 13



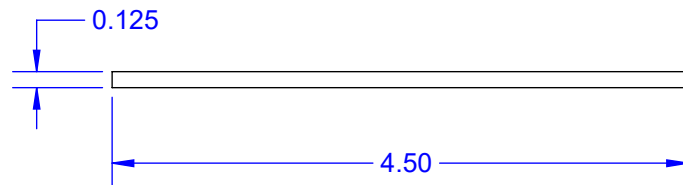
**TOP**



**EDGE**



**SIDE**

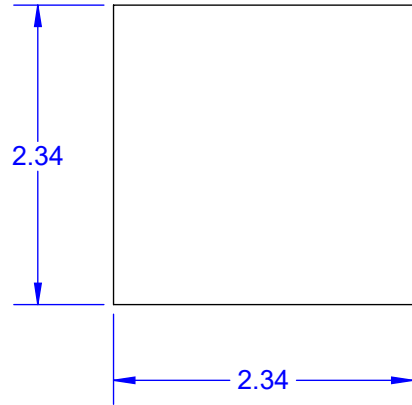


**MODEL**

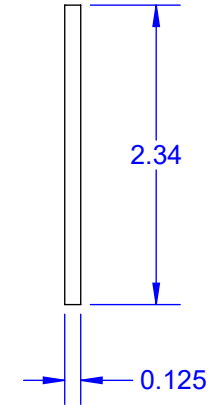
- Notes: (Unless Otherwise Specified).  
1) SURFACE RESISTIVITY:  $10^5 \sim 10^6 \Omega$   
3) DENSITY 1.7 PFC Min.  
4) DIMENSIONS IN INCHES.

<b>TopLine®</b>			
TITLE    EC1-FOAM-SOFT-.125-A LOW DENSITY FOAM			
SCALE 1:1.5	SIZE A	DRAWING NO. 090006	REV A
DO NOT SCALE DRAWING			SHEET 9 OF 13

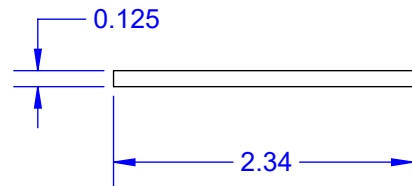
### TOP



### EDGE



### SIDE

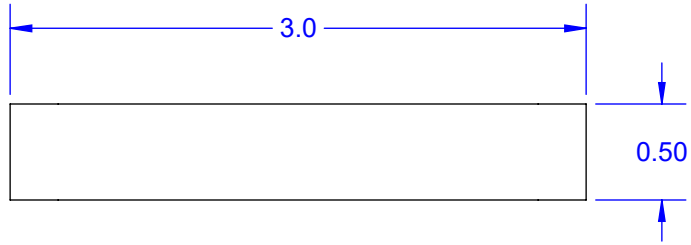


### MODEL

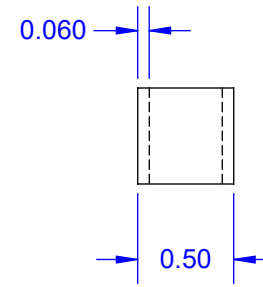
- Notes: (Unless Otherwise Specified).
- 1) SURFACE RESISTIVITY:  $10^5 \sim 10^6 \Omega$ .
  - 2) SOFT CONDUCTIVE FOAM.
  - 3) DENSITY 1.7 PFC Min.

<b>TopLine<sup>®</sup></b>			
TITLE		LOW DENSITY FOAM FOAM-SOFT-2.34A	
SCALE	SIZE	DRAWING NO.	REV
1:1.5	A	090011	A
DO NOT SCALE DRAWING			SHEET 10 OF 13

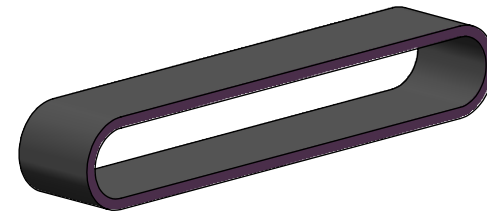
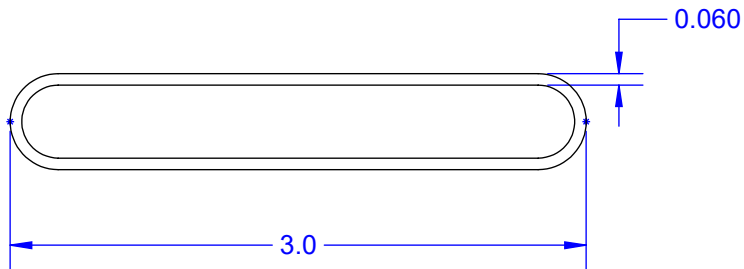
### TOP



### EDGE



### SIDE



### MODEL

Notes: (Unless Otherwise Specified).

1) SURFACE RESISTIVITY:  $10^5 \sim 10^6$ .

2) DIMENSIONS IN INCHES (RESTING POSITION).

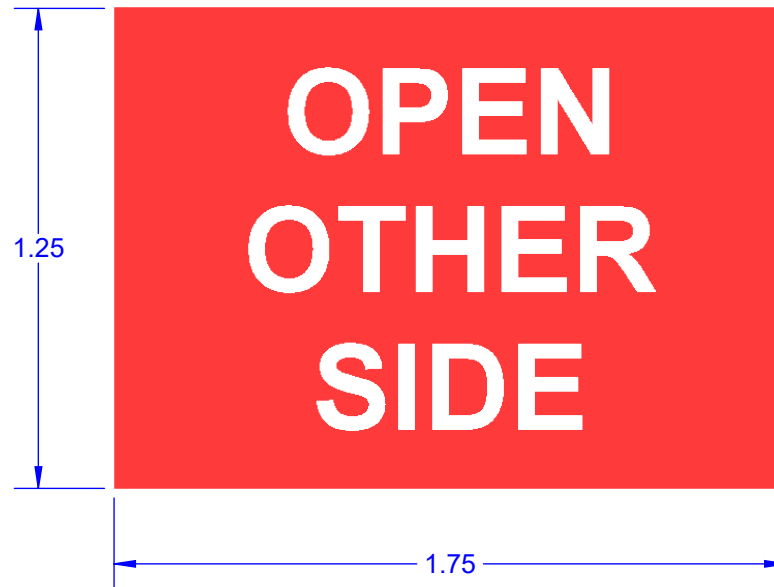
**TopLine**<sup>®</sup>

TITLE RUBBER BAND-3.0-C  
BLACK CONDUCTIVE

SCALE	SIZE	DRAWING NO.	REV
1:1	A	090005	A

DO NOT SCALE DRAWING

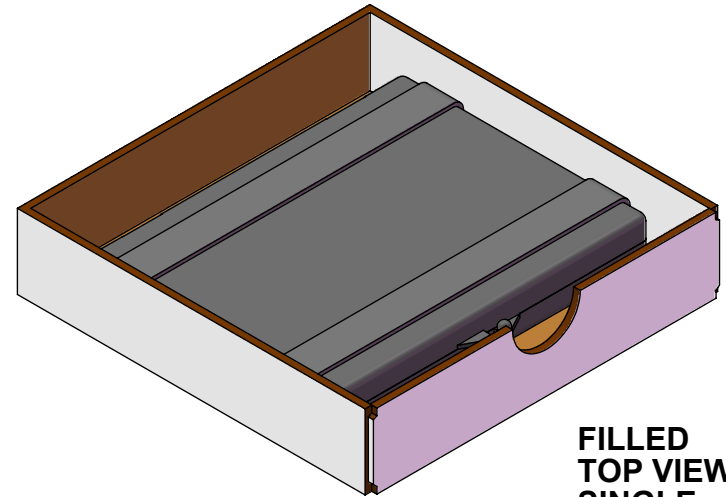
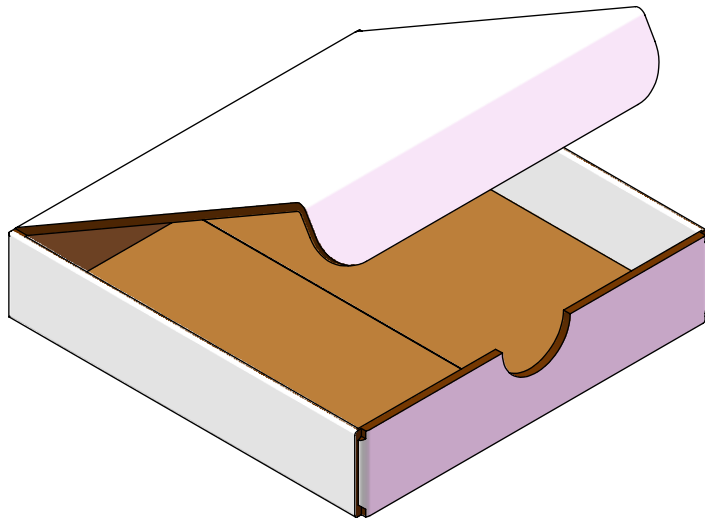
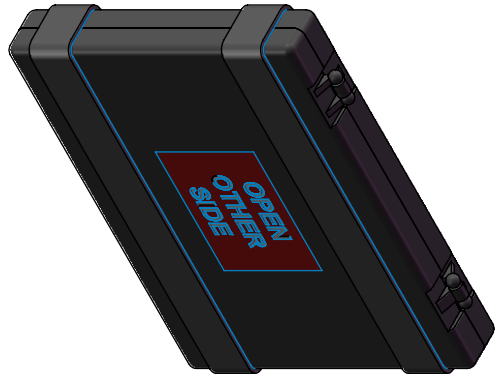
SHEET 11 OF 13



Notes: (Unless Otherwise Specified).

1. DIMENSIONS INCHES.
2. MATERIAL: PAPER LABEL WITH ADHESIVE.
3. COLOR: RED.
4. PURPOSE: IDENTIFY BOTTOM OF HINGE BOX.

<b>TopLine®</b>			
TITLE		LABEL FOR BOTTOM OF HINGE BOX	
SCALE	SIZE	DRAWING NO.	REV
2:1	A	090009	A
DO NOT SCALE DRAWING			SHEET 12 OF 13



**FILLED  
TOP VIEW  
SINGLE**

Notes: (Unless Otherwise Specified).

1. DIMENSIONS INCHES.
2. MEASUREMENT INCLUDES RUBBER BANDS.
3. BOX SIZE SUBJECT TO CHANGE.

**TopLine®**

TITLE CCGA TRAY BOX CARRIER  
CARTON

SCALE 1:2	SIZE A	DRAWING NO. 900001	REV A
--------------	-----------	-----------------------	----------

DO NOT SCALE DRAWING

SHEET 13 OF 13