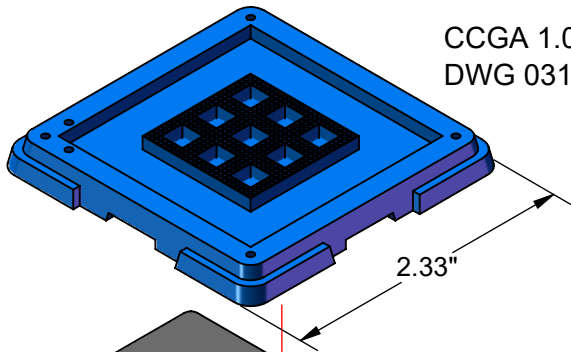


- 1) DIMENSIONS: INCHES.
- 2) MATERIAL: CONDUCTIVE BLACK.
- 3) SURFACE RESISTIVITY $10^4 \Omega \sim 10^5 \Omega$.

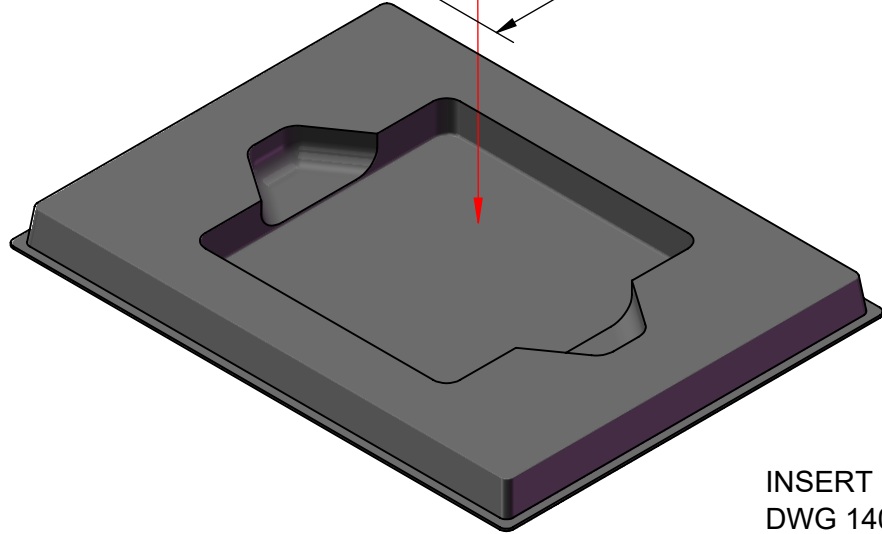
APPROVALS	DATE	TopLine®			
DRAWN T. Au	6/27/2021				
ENG M. Hart	6/27/2021	TITLE CCGA TRAY INSERT FOR 4.625 x 3.5 HINGE BOX			
MFG		SCALE	SIZE	DRAWING NO.	REV
QA		2:2.5	A	140110	A
CUST		DO NOT SCALE DRAWING			SHEET 1 OF 4
REVISED					

CCGA CARRIER

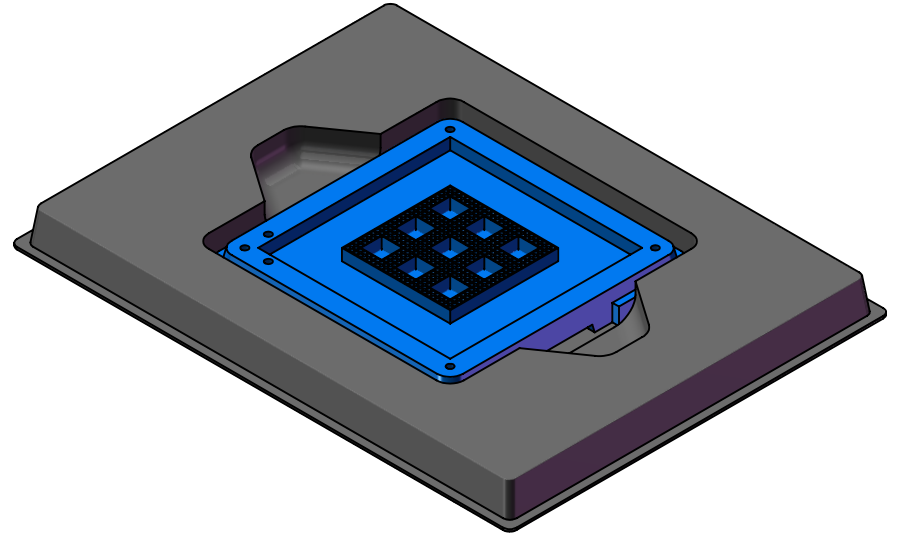


CCGA 1.0mm CARRIER
DWG 031000

2.33"



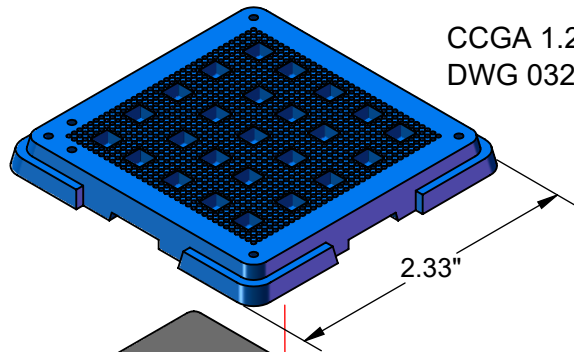
INSERT
DWG 140110



TopLine®

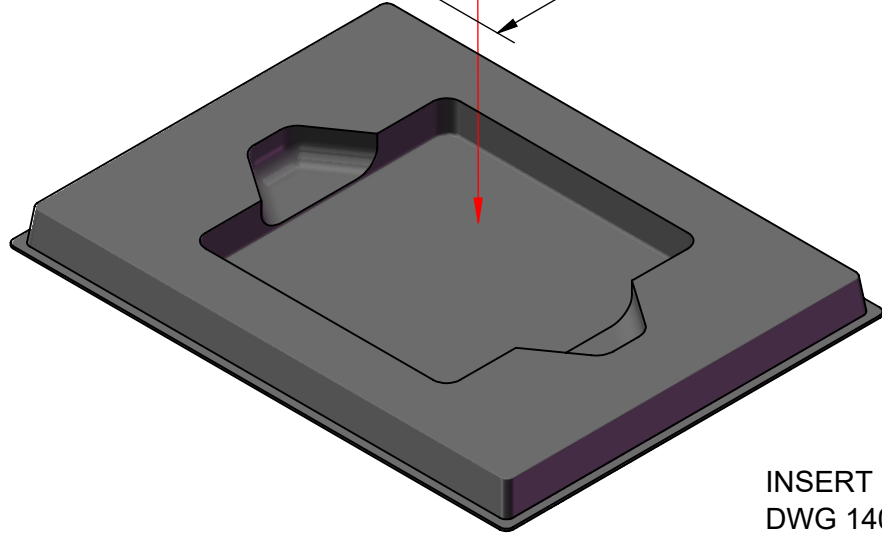
TITLE			
CCGA TRAY INSERT FOR 4.625 x 3.5 HINGE BOX			
SCALE	SIZE	DRAWING NO.	REV
2:2.5	A	140110	A
DO NOT SCALE DRAWING			SHEET 2 OF 4

CCGA CARRIER

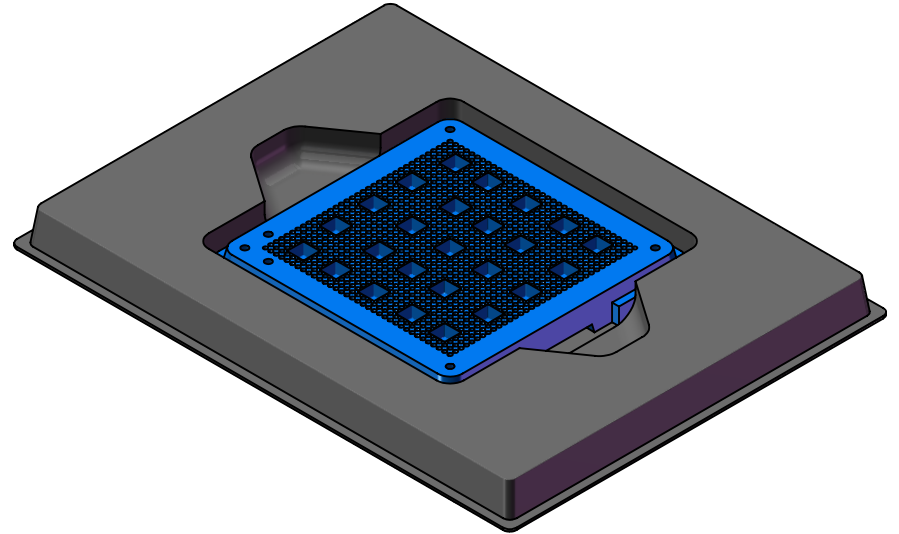


CCGA 1.27mm CARRIER
DWG 032000

2.33"



INSERT
DWG 140110



TopLine®

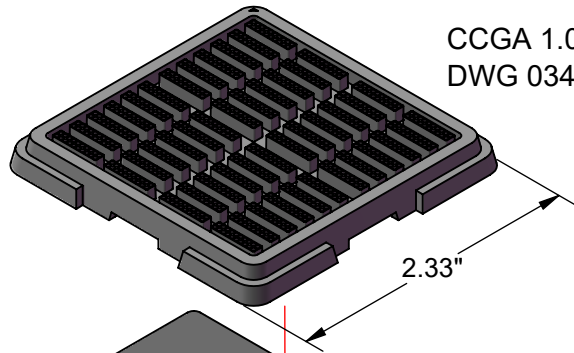
TITLE CCGA TRAY INSERT
FOR 4.625 x 3.5 HINGE BOX

SCALE	SIZE	DRAWING NO.	REV
2:2.5	A	140110	A

DO NOT SCALE DRAWING

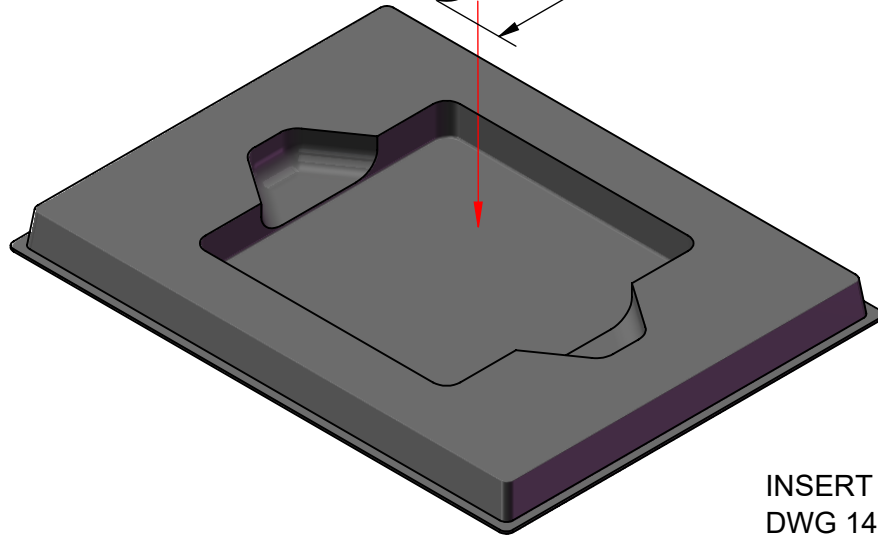
SHEET 3 OF 4

CCGA CARRIER

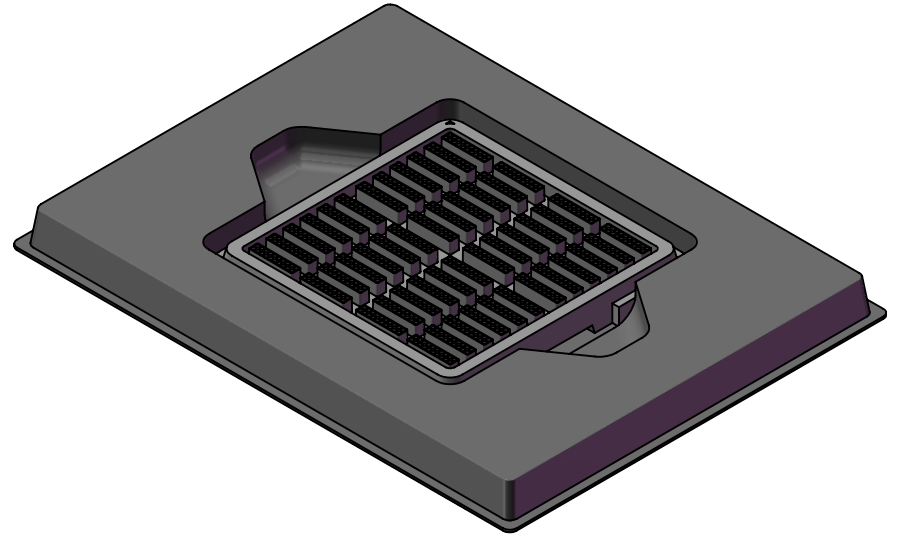


CCGA 1.0mm CARRIER
DWG 034000 REV B

2.33"



INSERT
DWG 140110



TopLine®

TITLE CCGA TRAY INSERT
FOR 4.625 x 3.5 HINGE BOX

SCALE	SIZE	DRAWING NO.	REV
2:2.5	A	140110	A

DO NOT SCALE DRAWING

SHEET 4 OF 4