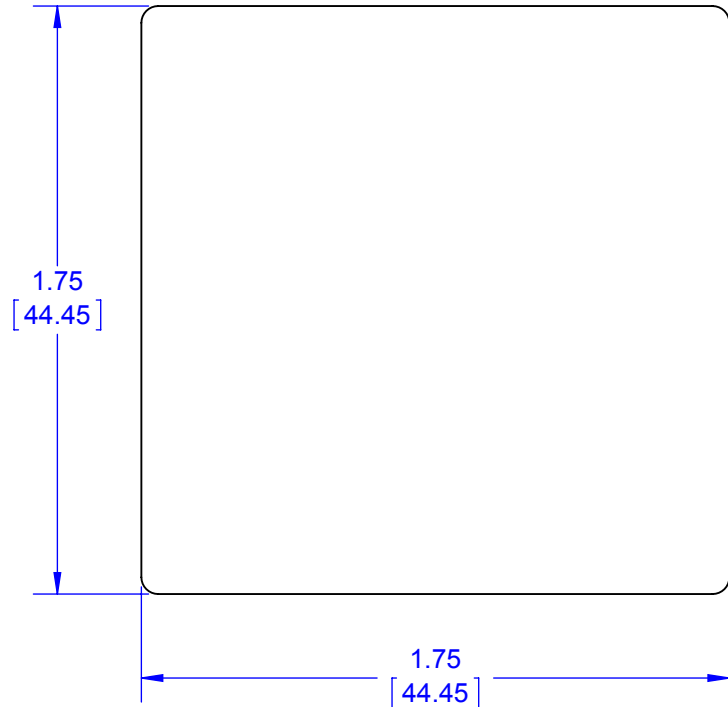
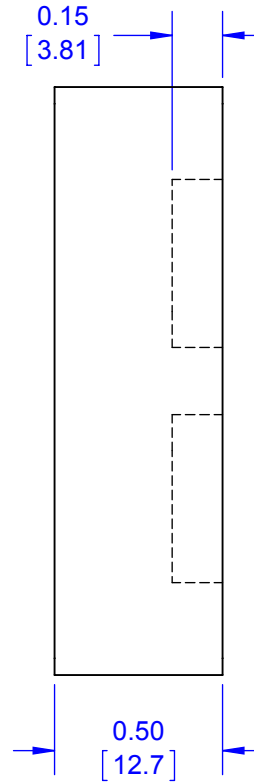


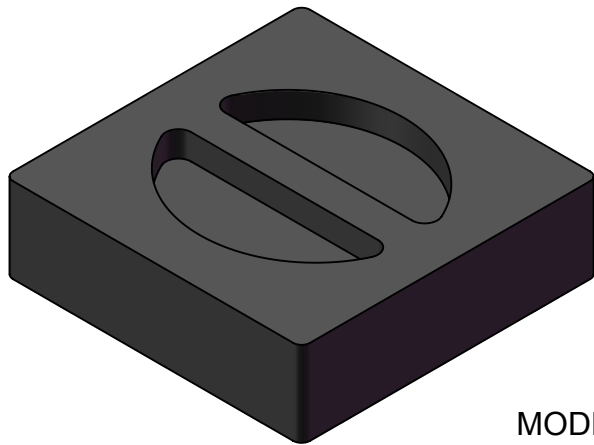
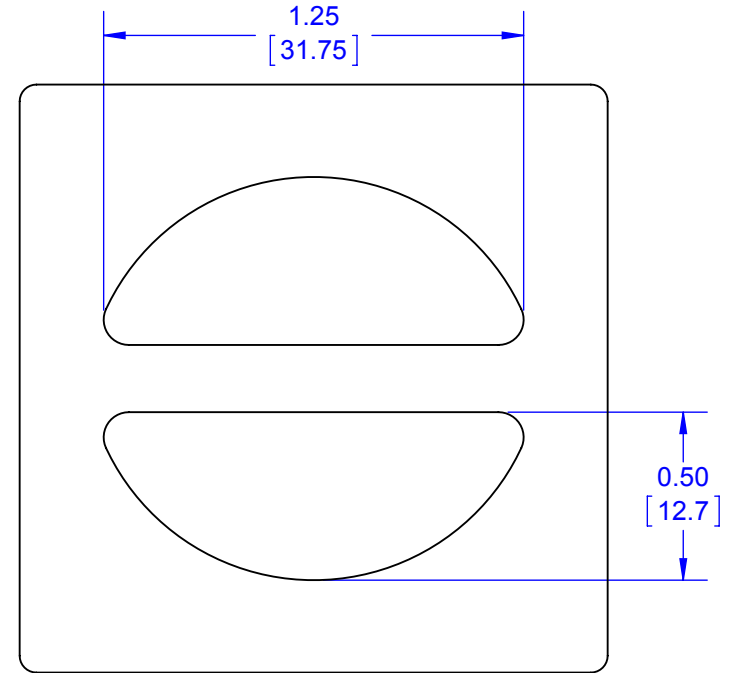
BOTTOM VIEW



SIDE VIEW



TOP VIEW



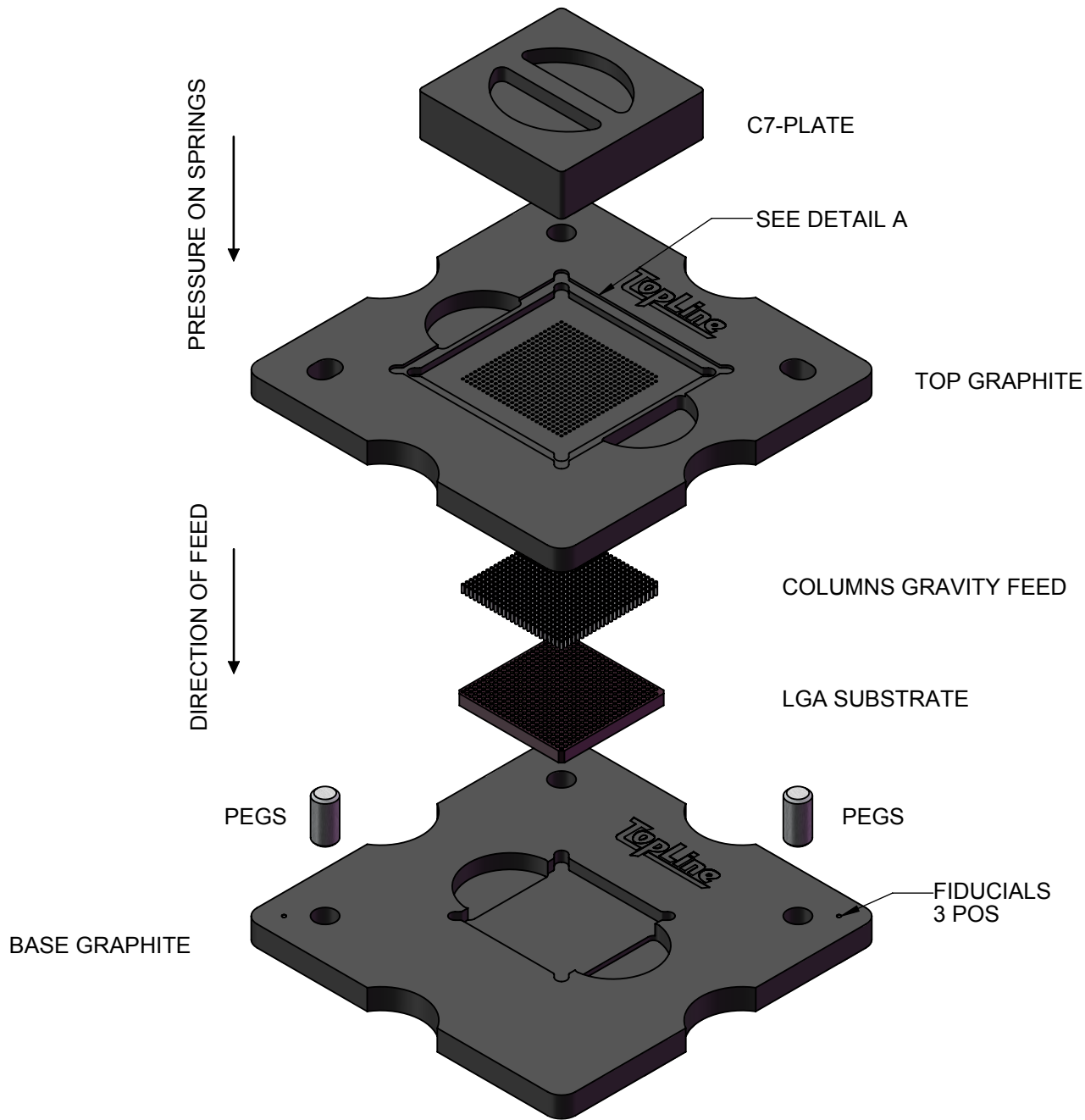
MODEL

NOTES:

1. DIMENSIONS INCHES [mm].
2. MATERIAL: GRAPHITE.
3. OMNI-DIRECTIONAL.
4. APPLICATION: APPLIES PRESSURE TO MICRO-COIL SPRINGS AFTER LOADING IN C7-GRAPHITE STRUCTURE.

APPROVALS	DATE	TopLine®			
DRAWN T. Au	12/23/14				
ENG M. Hart	12/23/14	TITLE C7-PLATE A GRAPHITE WEIGHT FOR COLUMNS			
MFG		SCALE	SIZE	DRAWING NO.	REV
QA		1.75:1	A	700150	A
CUST		DO NOT SCALE DRAWING			SHEET 1 OF 3
REVISED					

EXPLODED VIEW



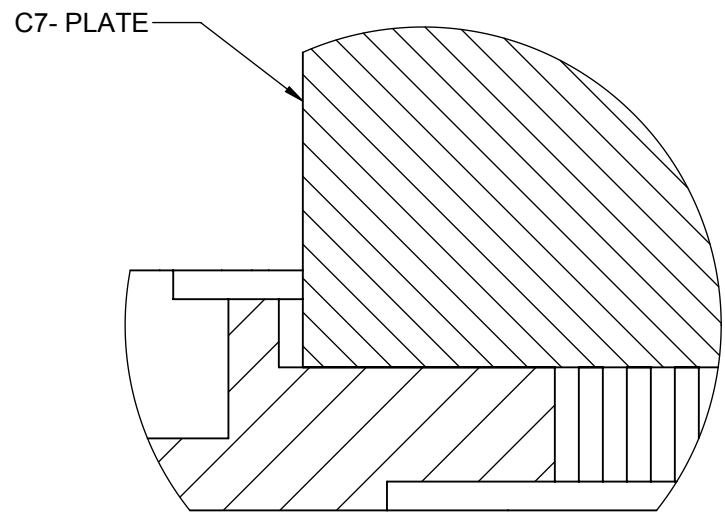
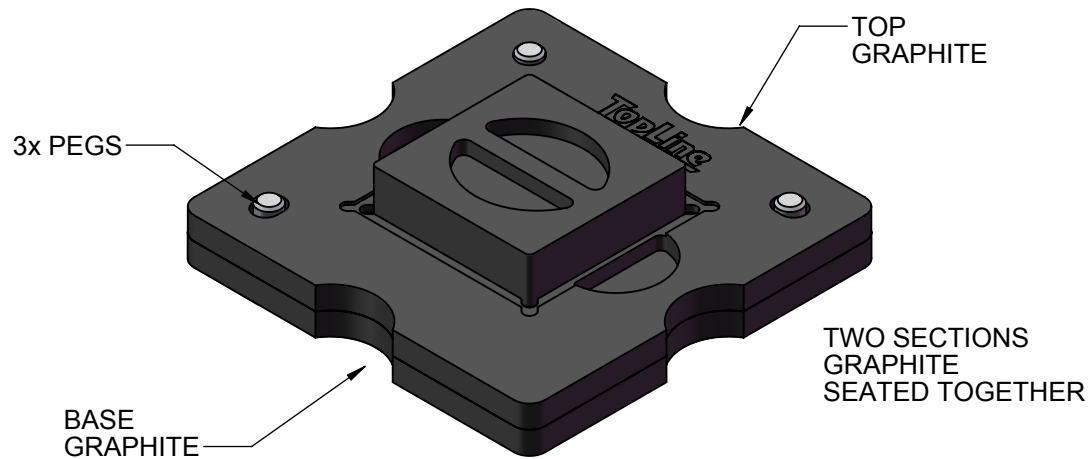
TopLine[®]

TITLE C7-PLATE A
GRAPHITE WEIGHT FOR COLUMNS

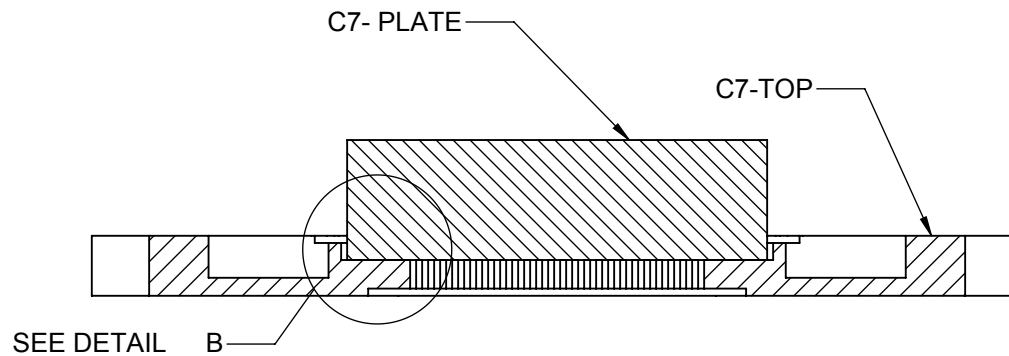
SCALE 1:1.25	SIZE A	DRAWING NO. 700150	REV A
-----------------	-----------	-----------------------	----------

DO NOT SCALE DRAWING

SHEET 2 OF 3



DETAIL B
SCALE 5 : 1



NOTES:
1. COLUMNS NOT SHOWN FOR CLARITY.

TopLine[®]			
TITLE C7-PLATE A GRAPHITE WEIGHT FOR COLUMNS			
SCALE 1.25:1	SIZE A	DRAWING NO. 700150	REV A
DO NOT SCALE DRAWING			SHEET 3 OF 3