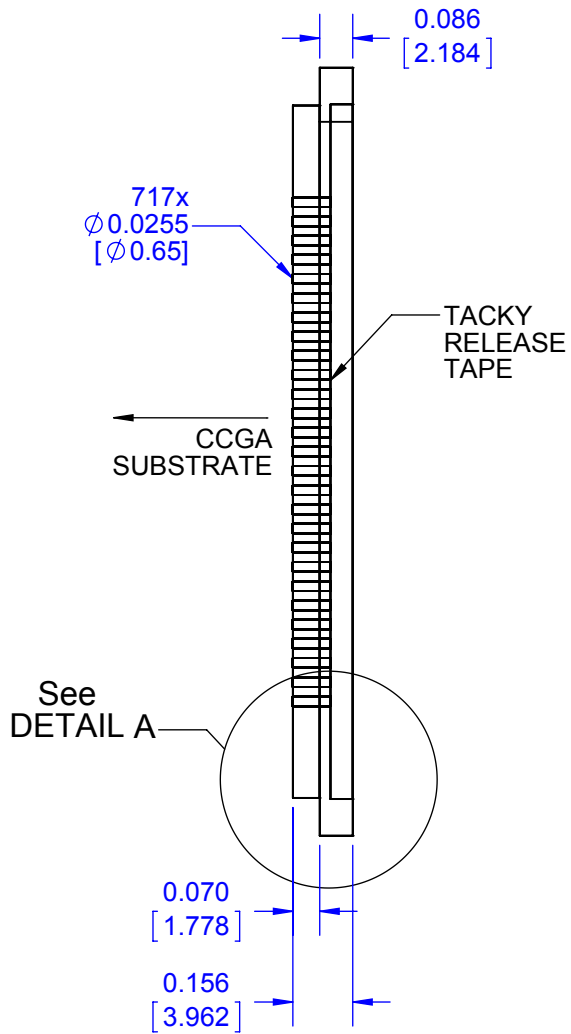
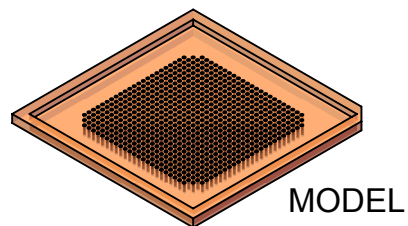
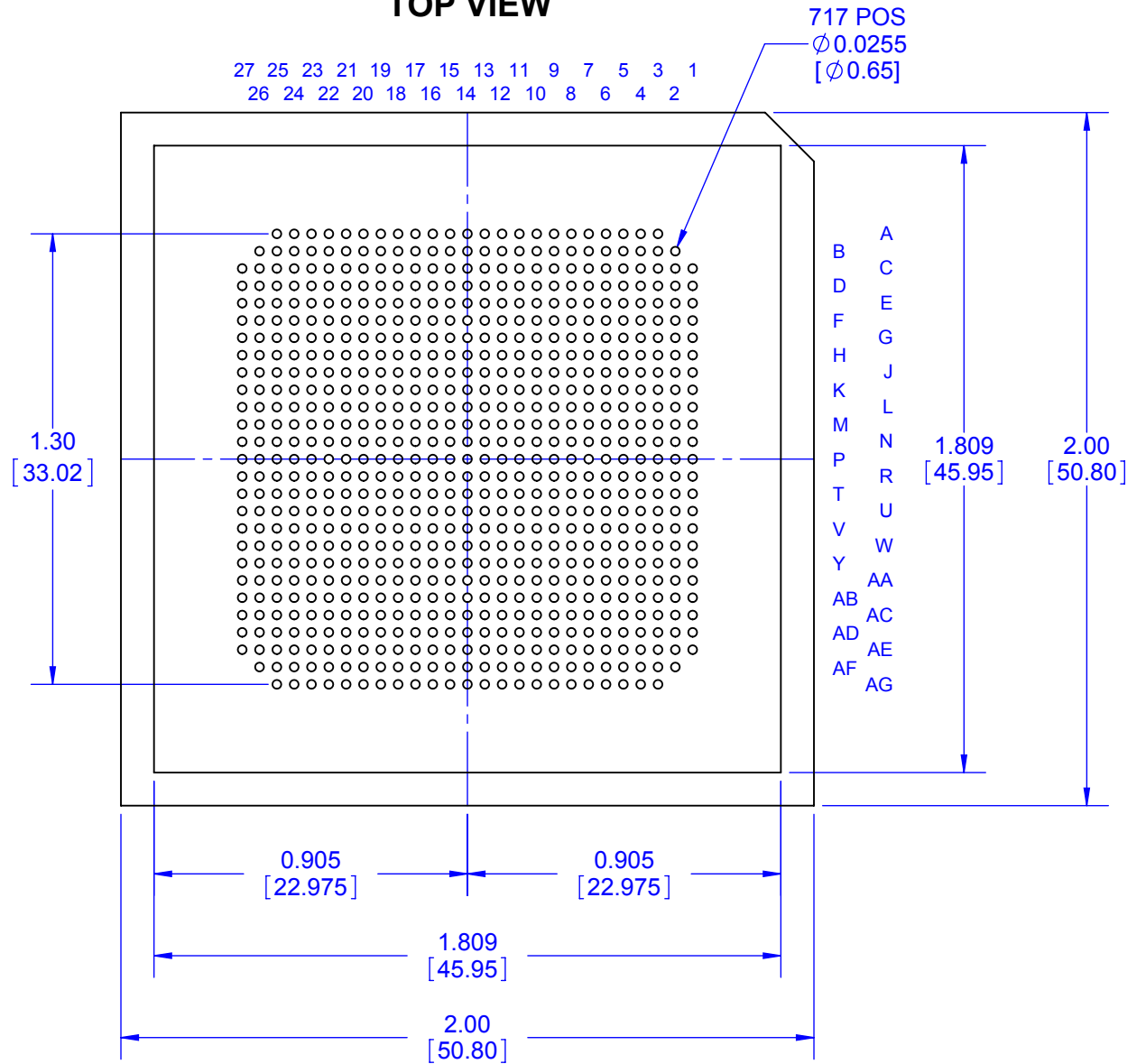


**SIDE**



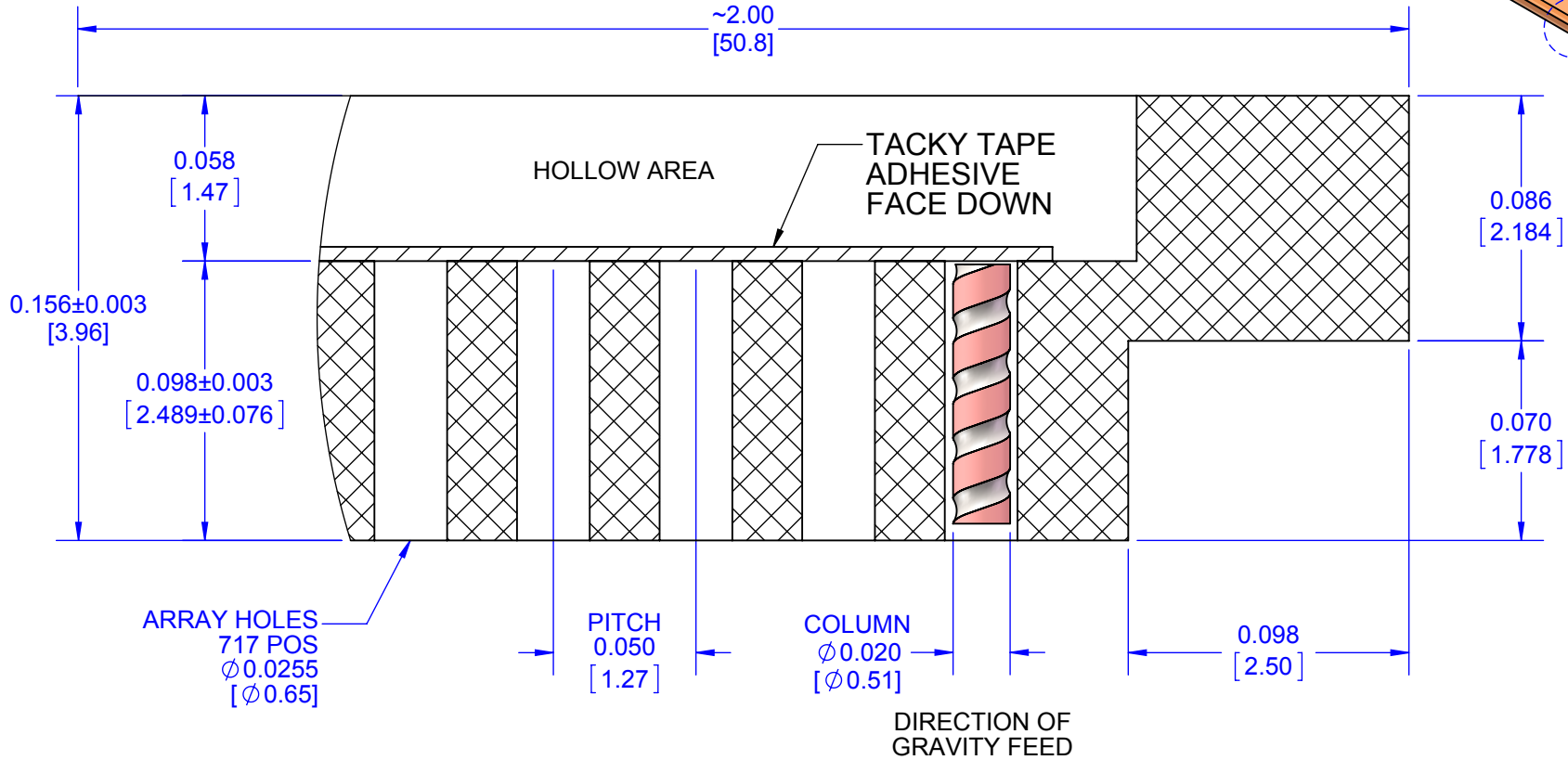
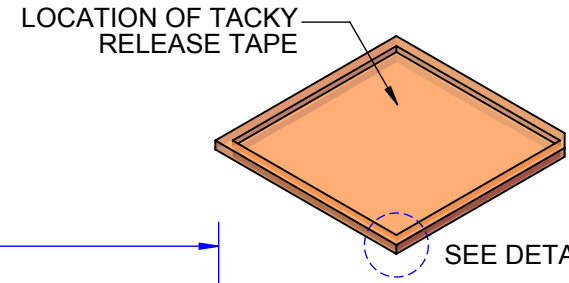
**TOP VIEW**



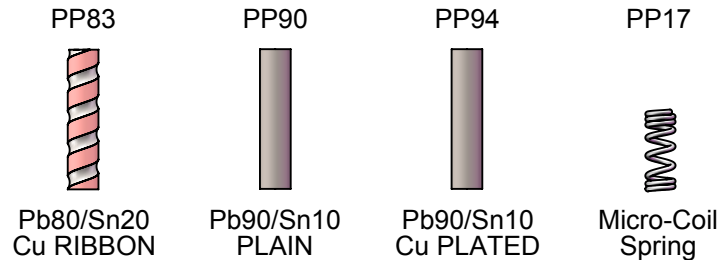
NOTES:  
1. DIMENSIONS INCHES [MM].  
2. SHOWN WITH MAXIMUM ARRAY.

<b>TopLine®</b>			
TITLE PP717 PIN-PACK™ CCGA COLUMN CARRIER			
SCALE 2:1	SIZE A	DRAWING NO. 002270	REV A
DO NOT SCALE DRAWING			SHEET 1 OF 8

# DETAIL A



## EXAMPLES OF COLUMNS

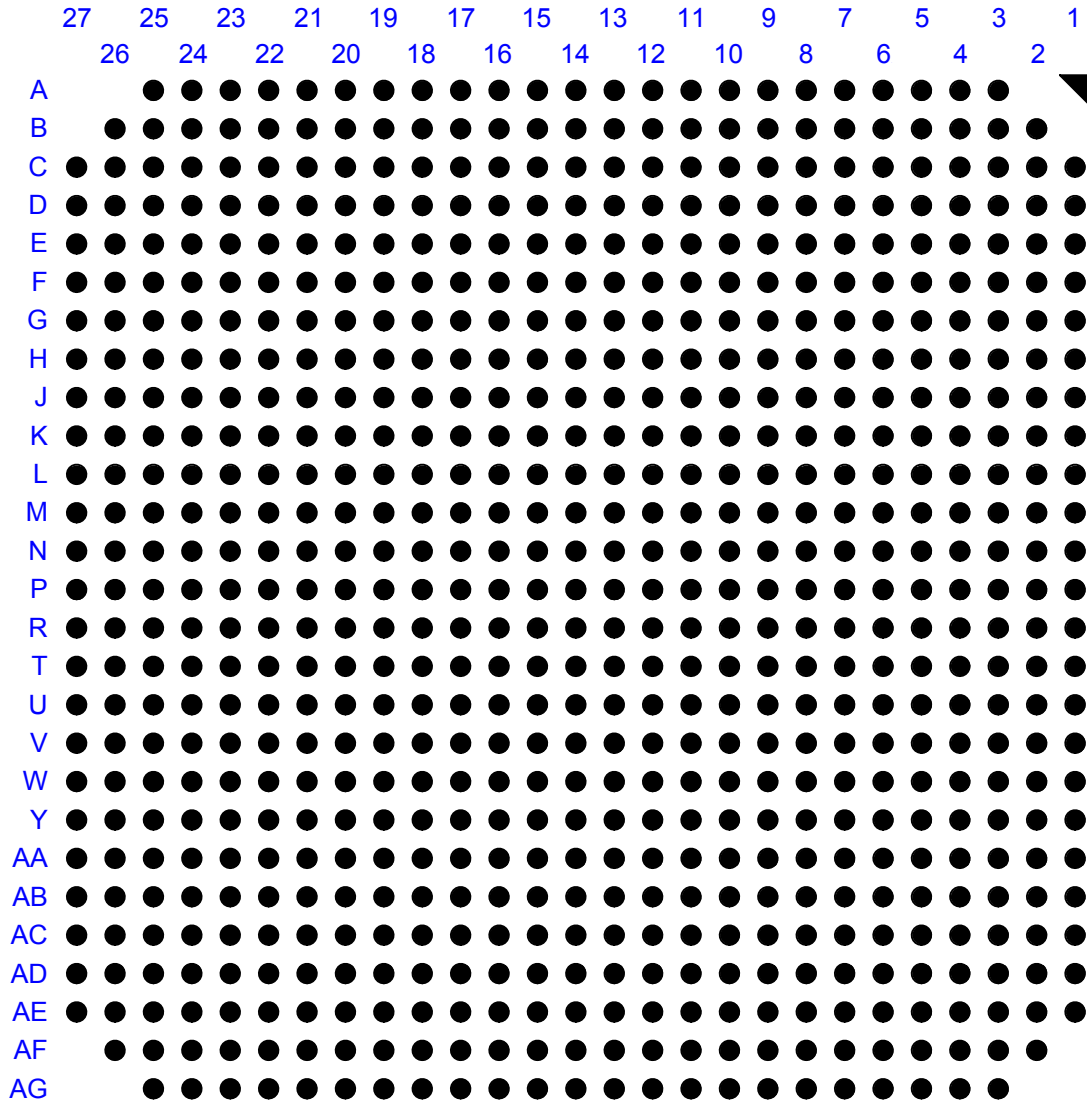


NOTES:  
1. DIMENSIONS INCHES [MM].

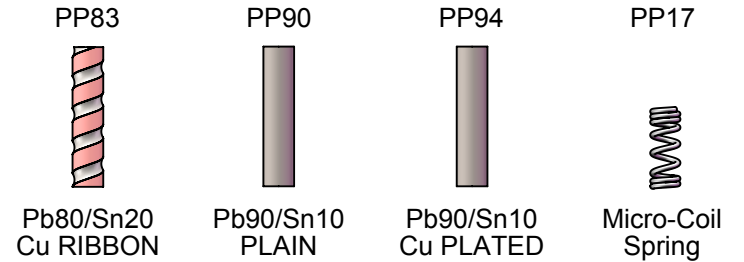
<b>TopLine<sup>®</sup></b>			
TITLE PP717 PIN-PACK™ CCGA COLUMN CARRIER			
SCALE 16:1	SIZE A	DRAWING NO. 002270	REV A
DO NOT SCALE DRAWING			SHEET 2 OF 8

**PART NUMBER TABLE**

PIN-PACK™	Pins	Pitch	Matrix	COLUMN BEFORE TRIM				Empty DWG	Filled DWG
				Alloy	Construction	Ø Dia	Length		
PP83C717E20x91A PP90U717E20x91A PP94E717E20x91A	717	1.27mm	27x27	Pb80 Pb90 Pb90	Cu Ribbon Plain Cu Plated	0.51mm	2.31mm	002270	832270 902270 942270
PP17P717E20x50A				MCS	Micro-Coil	0.50mm	1.27mm		172270

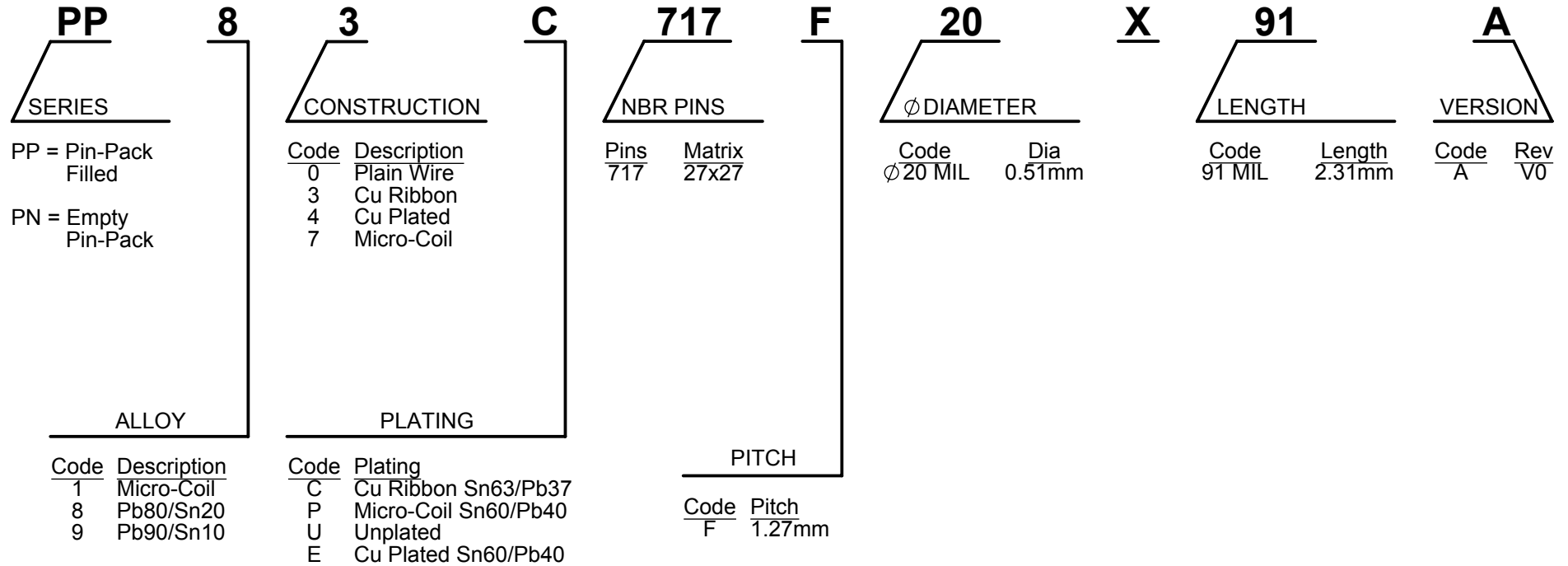


**EXAMPLES OF COLUMNS**

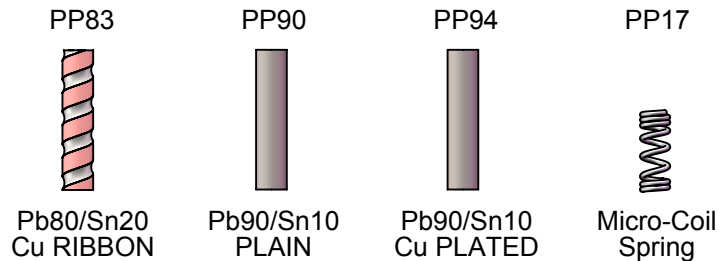


TITLE			
PP717 PIN-PACK™ CCGA COLUMN CARRIER			
SCALE	SIZE	DRAWING NO.	REV
NONE	A	002270	A
DO NOT SCALE DRAWING			SHEET 3 OF 8

# PIN-PACK™ PART NUMBERING SYSTEM



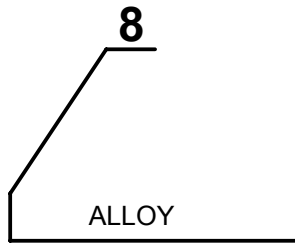
## EXAMPLES OF COLUMNS



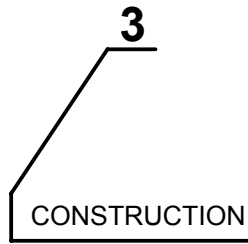
NOTE 1: COLUMN TO BE TRIMMED TO FINAL LENGTH AFTER ATTACHMENT.

<b>TopLine®</b>			
TITLE PP717 PIN-PACK™ CCGA COLUMN CARRIER			
SCALE 10:1	SIZE A	DRAWING NO. 002270	REV A
DO NOT SCALE DRAWING			SHEET 4 OF 8

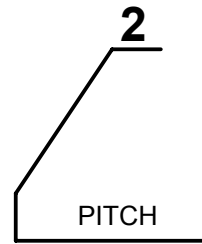
# PIN-PACK™ DRAWING NUMBERING SYSTEM



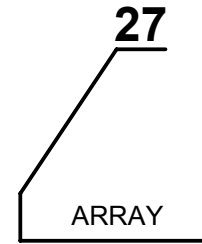
Code	Description
00	Empty
8	Pb80/Sn20
9	Pb90/Sn10



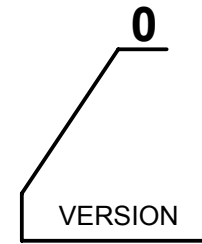
Code	Description
0	Plain Wire
3	Cu Ribbon
4	Cu Plated
7	Micro-Coil



Code	Pitch
2	1.27mm







Code	Matrix
27	27x27



Code	Rev
0	717 PINS

## EXAMPLES OF COLUMNS

PP83	PP90	PP94	PP17
			
Pb80/Sn20 Cu RIBBON	Pb90/Sn10 PLAIN	Pb90/Sn10 Cu PLATED	Micro-Coil Spring

**TopLine®**

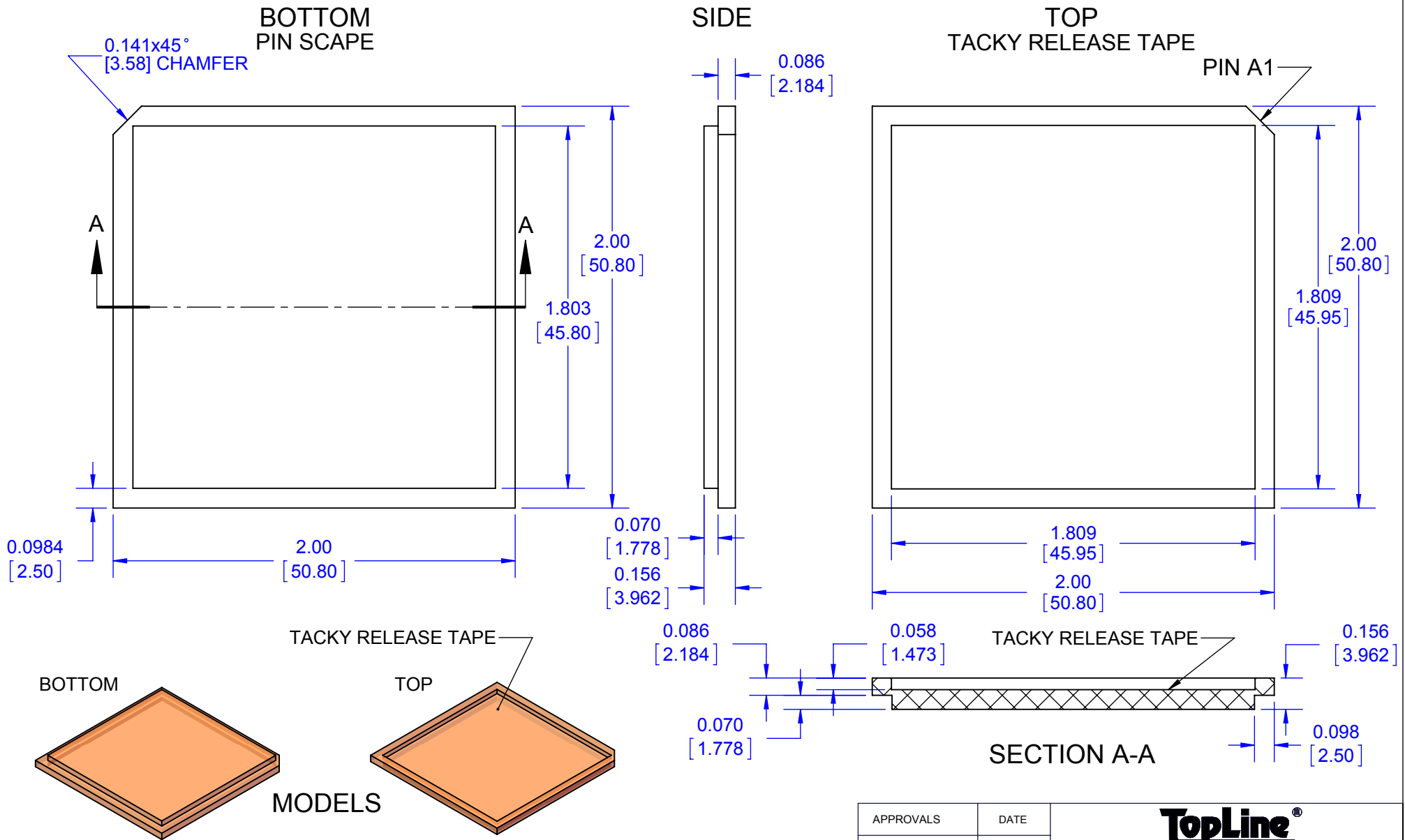
TITLE PP717 PIN-PACK™  
CCGA COLUMN CARRIER

SCALE 10:1	SIZE A	DRAWING NO. 002270	REV A
---------------	-----------	-----------------------	----------

DO NOT SCALE DRAWING

SHEET 5 OF 8

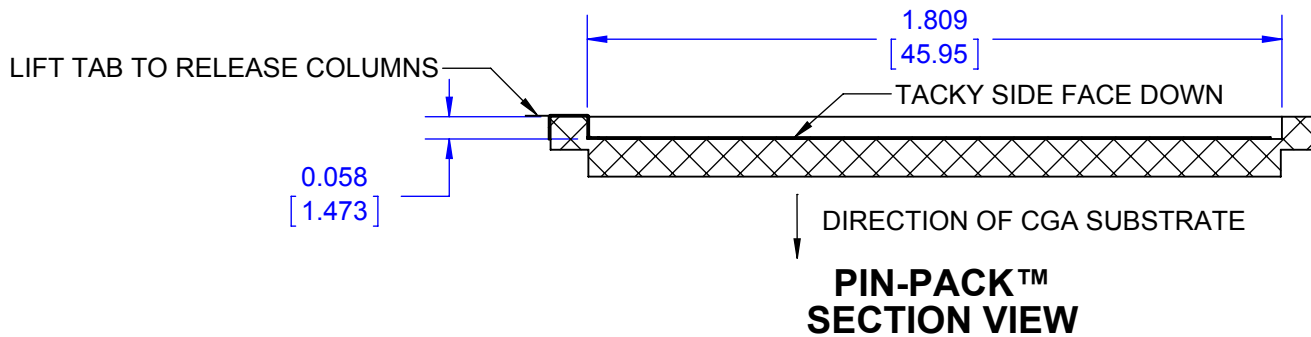
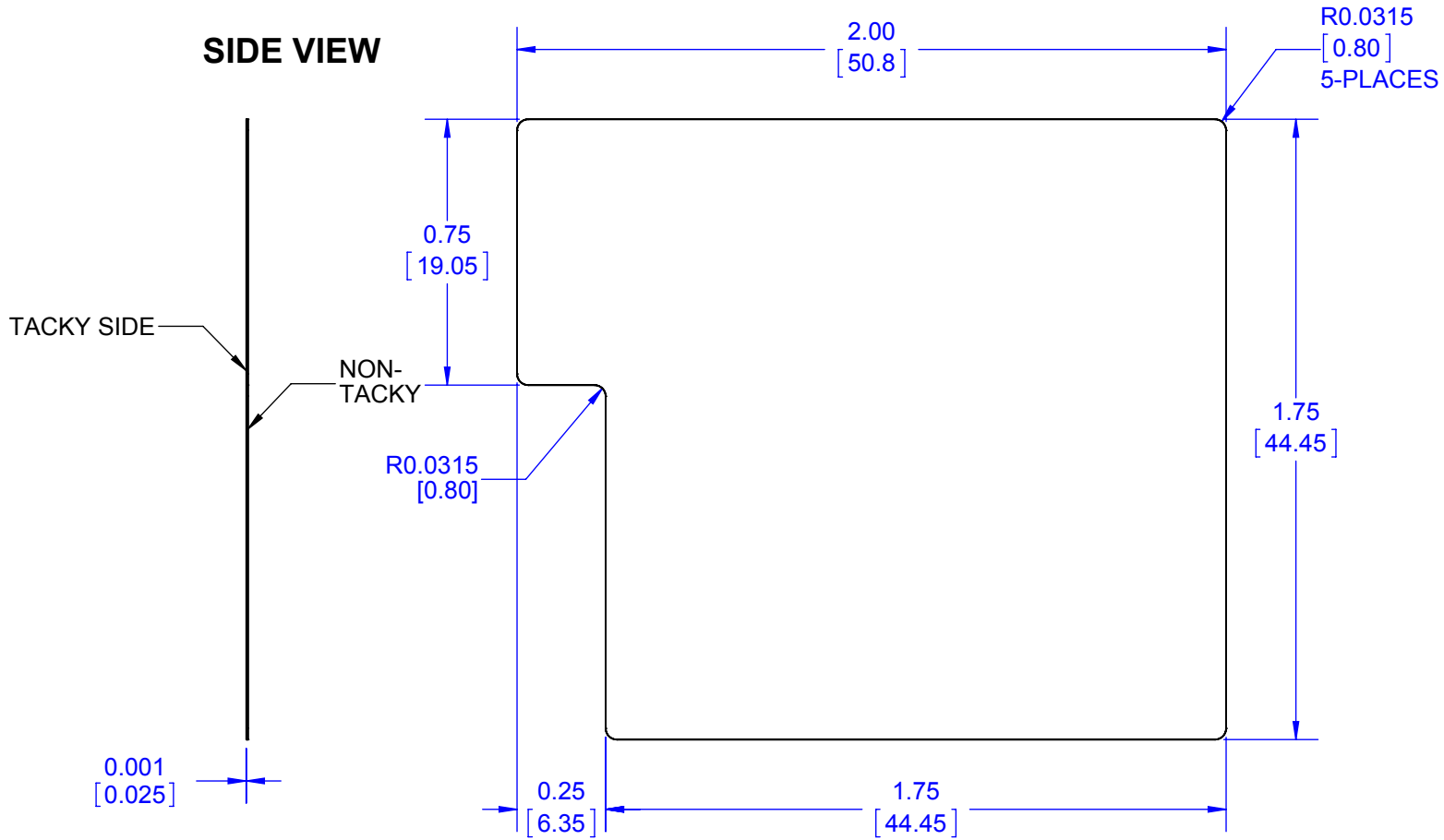
# PIN-PACK™ OUTLINE



- NOTES:
1. DIMENSIONS INCHES [MM].
  2. SHOWN WITHOUT HOLES FOR CLARITY.
  3. PIN-PACK™ IS TRADEMARK OF TOPLINE.
  4. PIN-PACK™ PATENT PENDING.

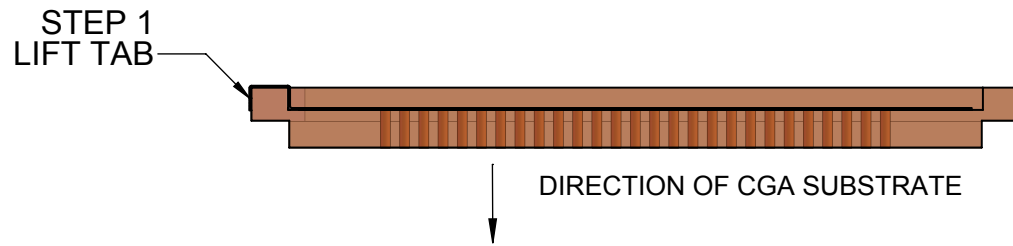
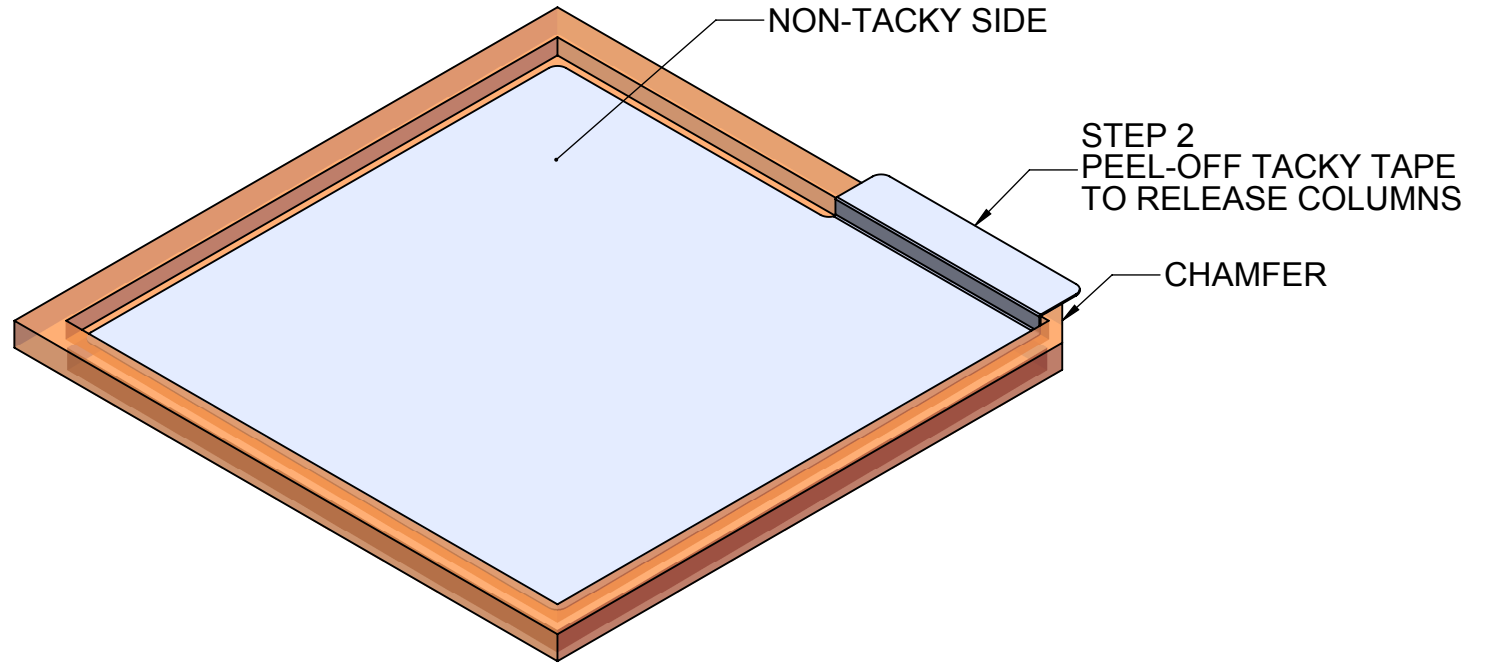
APPROVALS	DATE	<b>TopLine®</b>			
DRAWN T.Au	01/12/15				
ENG M. Hart	01/12/15	TITLE PP717 PIN-PACK™ CCGA COLUMN CARRIER			
MFG		SCALE	SIZE	DRAWING NO.	REV
QA		3:2	A	002270	A
CUST		DO NOT SCALE DRAWING			SHEET 6 OF 8
REVISED					

# TACKY RELEASE TAPE TOP VIEW



<b>TopLine®</b>			
TITLE PP717 PIN-PACK™ CCGA COLUMN CARRIER			
SCALE 2:1	SIZE A	DRAWING NO. 002270	REV B
DO NOT SCALE DRAWING			SHEET 7 OF 8

# TACKY RELEASE TAPE MODEL



<b>TopLine<sup>®</sup></b>			
TITLE PP717 PIN-PACK™ CCGA COLUMN CARRIER			
SCALE 1.5:1	SIZE A	DRAWING NO. 002270	REV B
DO NOT SCALE DRAWING			SHEET 8 OF 8