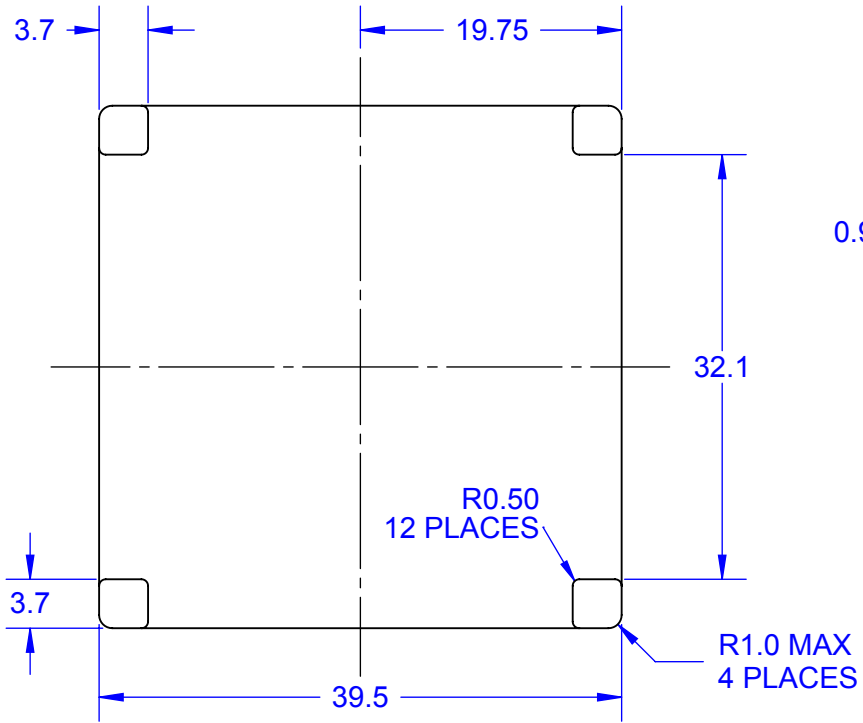
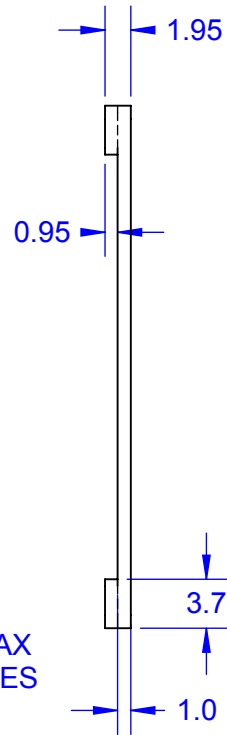


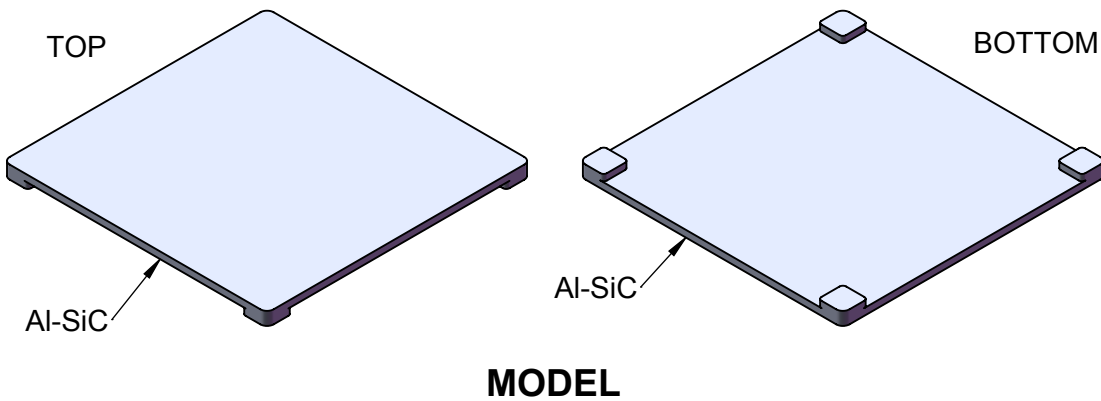
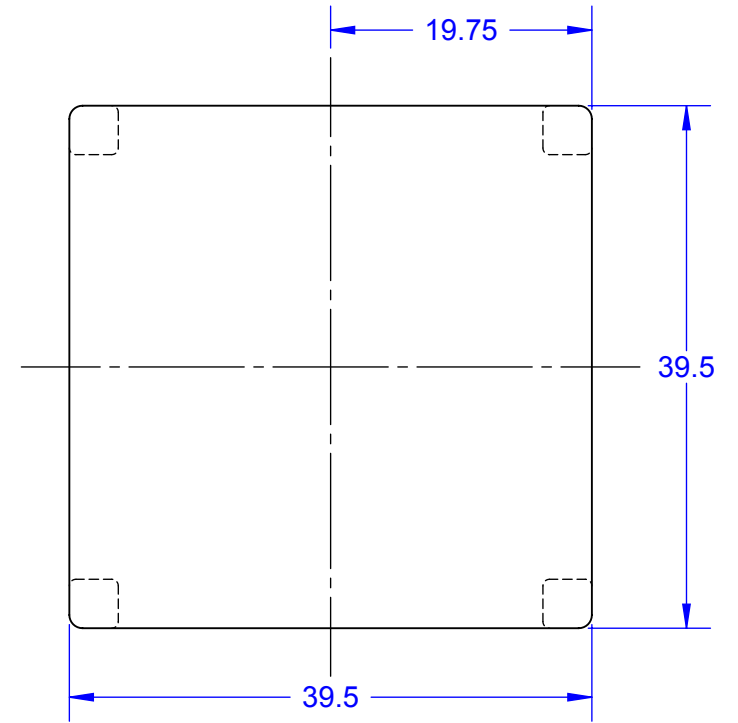
**BOTTOM VIEW**



**SIDE VIEW**



**TOP VIEW**



- NOTES:**
1. DIMENSIONS IN mm.
  2. MATERIAL Al-SiC.
  3. TOLERANCE  $\pm 0.127$ mm.

APPROVALS	DATE	<b>TopLine®</b>			
DRAWN T. Au	09/28/14				
ENG M. Hart	09/28/14	TITLE CN-CAP40A HEAT SPREADER			
MFG		SCALE	SIZE	DRAWING NO.	REV
QA		1.75:1	A	111400	A
CUST		DO NOT SCALE DRAWING			SHEET 1 OF 1
REVISED					