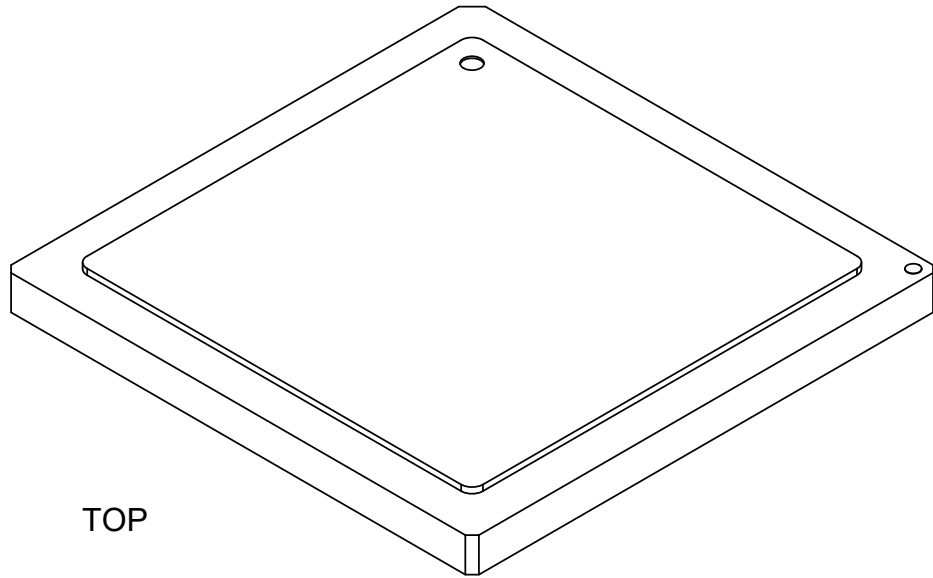


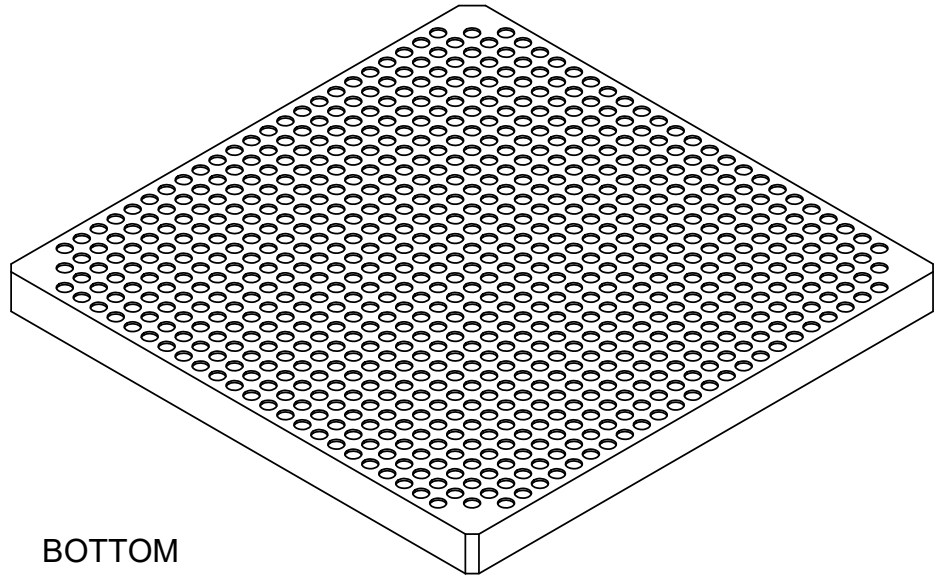
NOTES: (UNLESS OTHERWISE SPECIFIED).  
 1) DIMENSIONS: INCHES [MM].  
 2) MATERIAL: ALUMINUM.

|                |  |           |                                    |  |        |                    |              |
|----------------|--|-----------|------------------------------------|--|--------|--------------------|--------------|
| APPROVALS      |  | DATE      | <b>TopLine</b> <sup>®</sup>        |  |        |                    |              |
| DRAWN J. Hines |  | 9/29/2017 |                                    |  |        |                    |              |
| ENG M. Hart    |  | 9/29/2017 | TITLE AL-CG717-3.0MM ALUMINUM SLUG |  |        |                    |              |
| MFG            |  |           | SCALE 2.5:1                        |  | SIZE A | DRAWING NO. 071701 | REV A        |
| QA             |  |           | DO NOT SCALE DRAWING               |  |        |                    | SHEET 1 OF 2 |
| CUST           |  |           |                                    |  |        |                    |              |
| REVISED        |  |           |                                    |  |        |                    |              |

MODELS



TOP



BOTTOM

|                             |      |                                 |              |
|-----------------------------|------|---------------------------------|--------------|
| <b>TopLine</b> <sup>®</sup> |      |                                 |              |
| TITLE                       |      | AL-CG717-3.0MM<br>ALUMINUM SLUG |              |
| SCALE                       | SIZE | DRAWING NO.                     | REV          |
| 2.5:1                       | A    | 071701                          | A            |
| DO NOT SCALE DRAWING        |      |                                 | SHEET 2 OF 2 |