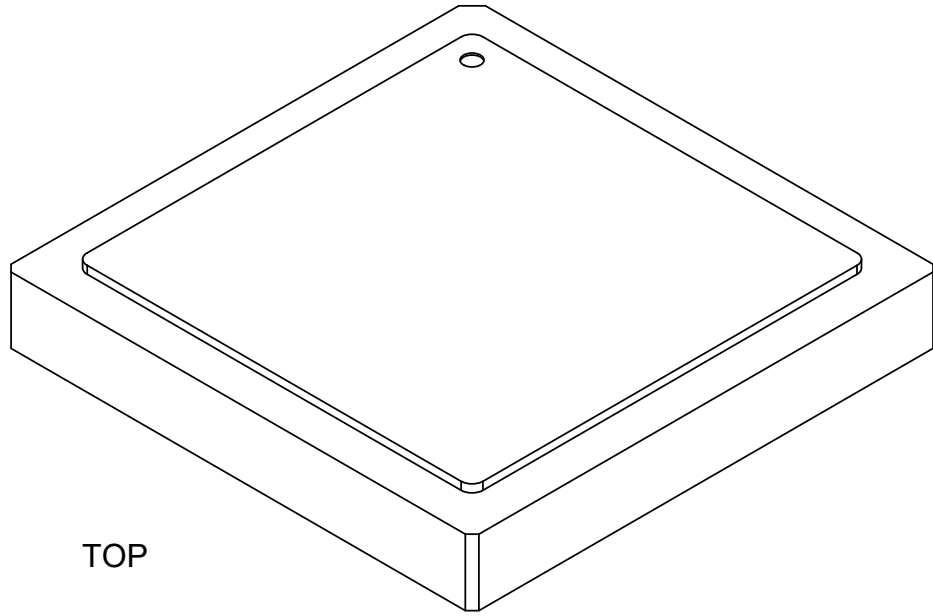


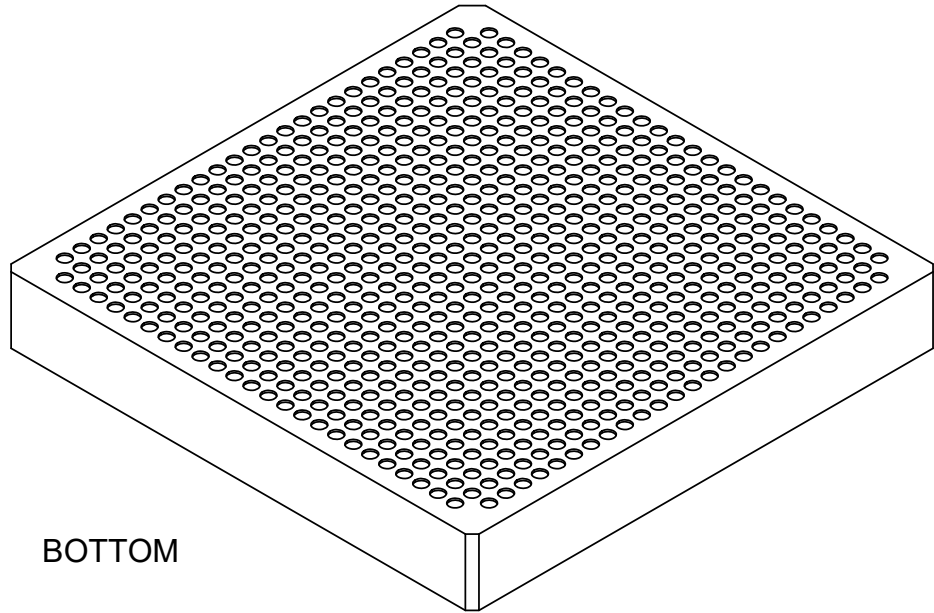
NOTES: (UNLESS OTHERWISE SPECIFIED).
 1) DIMENSIONS: INCHES [MM].
 2) MATERIAL: ALUMINUM.

APPROVALS		DATE	TopLine [®]			
DRAWN J. Hines		1/17/2017				
ENG M. Hart		1/17/2017	TITLE AL-CG672-RU ALUMINUM SLUG			
MFG			SCALE 2.5:1	SIZE A	DRAWING NO. 067201	REV A
QA						
CUST			DO NOT SCALE DRAWING			
REVISED			SHEET 1 OF 2			

MODELS



TOP



BOTTOM

TopLine [®]			
TITLE		AL-CG672-RU ALUMINUM SLUG	
SCALE	SIZE	DRAWING NO.	REV
2.5:1	A	067201	A
DO NOT SCALE DRAWING			SHEET 2 OF 2