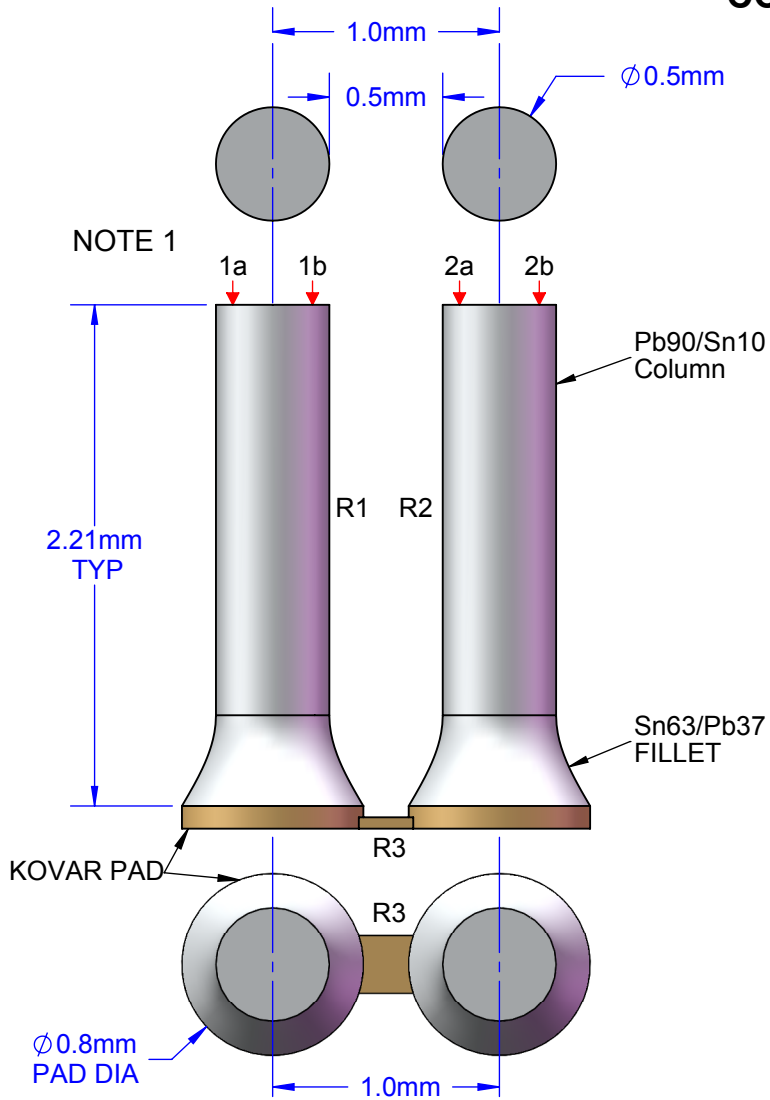


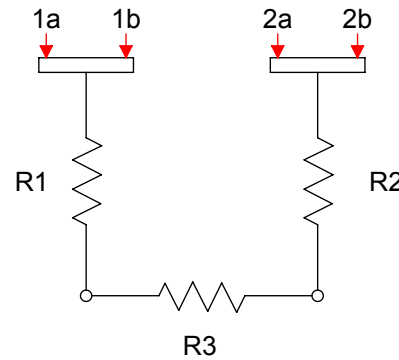
DUT Nr. 1

KELVIN D.C. RESISTANCE TEST FIXTURE
CCGA COLUMNS ON ARRAYS

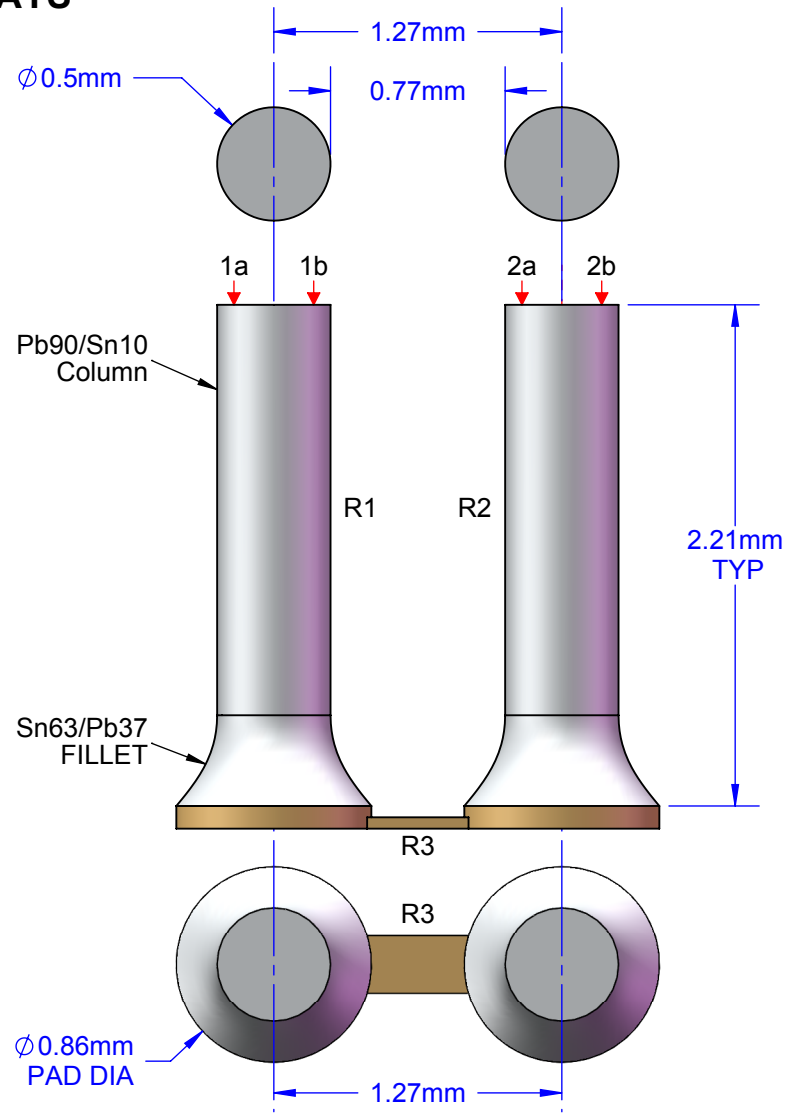
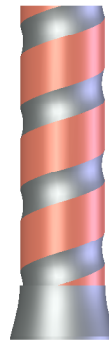
DUT Nr. 2



$R_T = \text{TOTAL RESISTANCE}$



ALTERNATE R1/R2 COLUMN
Pb80/Sn20 Cu WRAP

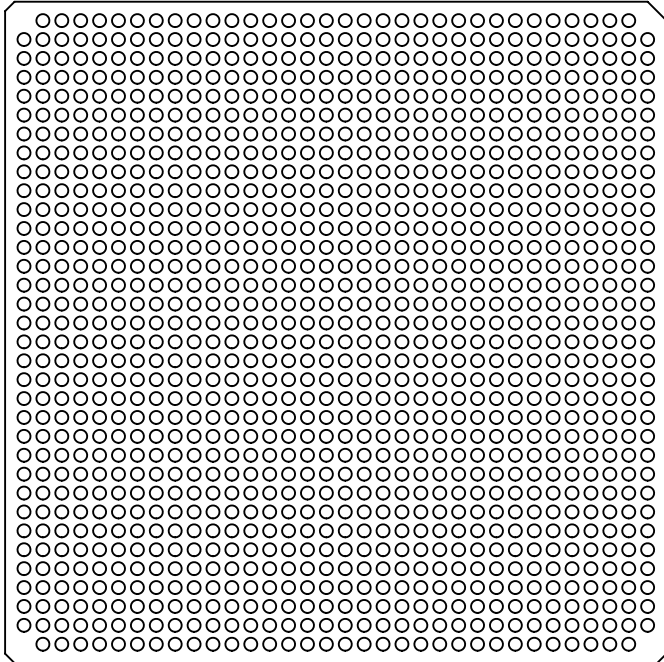


- NOTES:
1. KELVIN PROBE (1a, 1b, 2a, 2b) AT TOP OF SOLDER COLUMNS (DUT).
 2. R1 / R2 ARE RESISTANCE OF SOLDER COLUMNS.
 3. R3 IS THE RESISTANCE OF PADS (INCLUDING TRACE BETWEEN PADS).

APPROVALS	DATE	TopLine®			
DRAWN T.Au	01/05/14				
ENG M. Hart	01/05/14	TITLE KELVIN RESISTANCE TEST FIXTURE CCGA COLUMNS ON ARRAYS			
MFG		SCALE	SIZE	DRAWING NO.	REV
QA		30:1	A	160011	A
CUST		DO NOT SCALE DRAWING			SHEET 1 OF 2
REVISED					

TOP VIEW

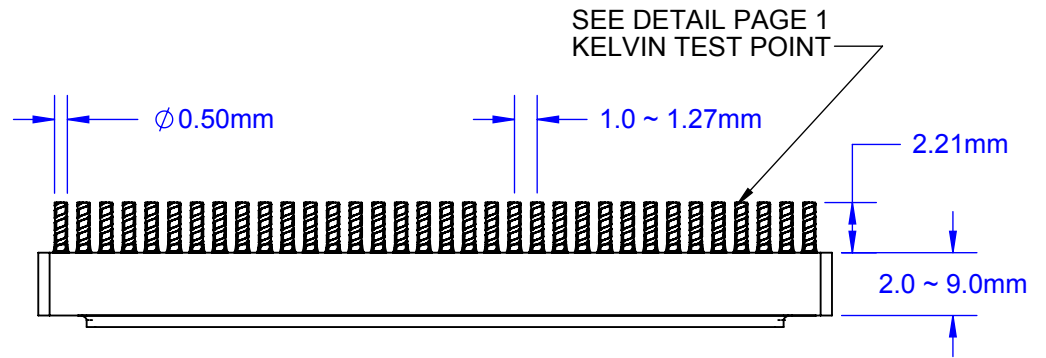
34 32 30 28 26 24 22 20 18 16 14 12 10 8 6 4 2
 33 31 29 27 25 23 21 19 17 15 13 11 9 7 5 3 1



A
B
C
D
E
F
G
H
J
K
L
M
N
P
R
T
U
V
W
Y
AA
AB
AC
AD
AE
AF
AG
AH
AJ
AK
AL
AM
AN
AP

**EXAMPLE ARRAY
 COLUMN MATRIX 20x20 to 52x52**

SIDE VIEW



CERAMIC SUBSTRATE

APPROVALS	DATE	TopLine®			
DRAWN T. Au	01/05/14				
ENG M. Hart	01/05/14	TITLE KELVIN RESISTANCE TEST FIXTURE CCGA COLUMNS ON ARRAYS			
MFG					
QA		SCALE	SIZE	DRAWING NO.	REV
CUST		NONE	A	160011	A
REVISED		DO NOT SCALE DRAWING			SHEET 2 OF 2