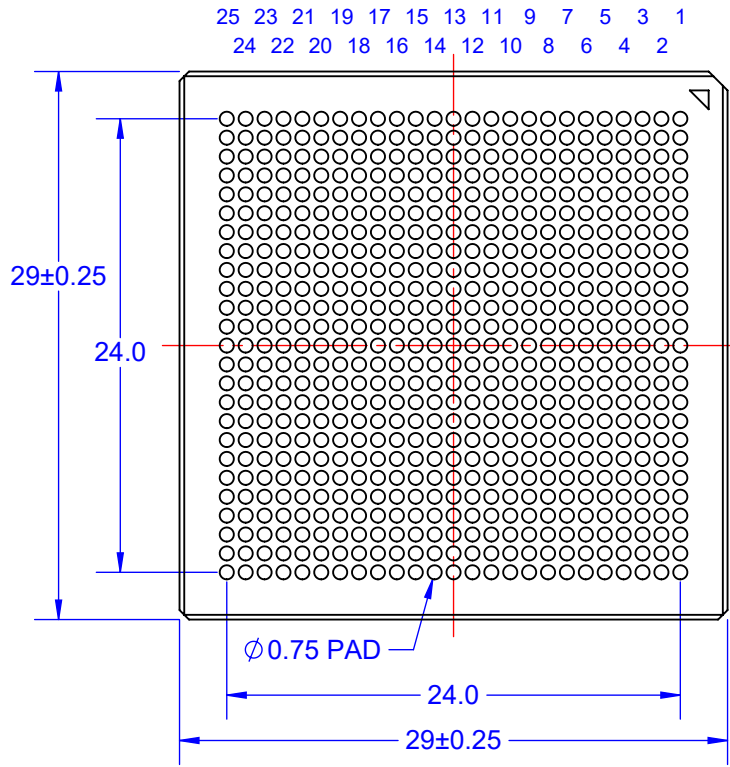
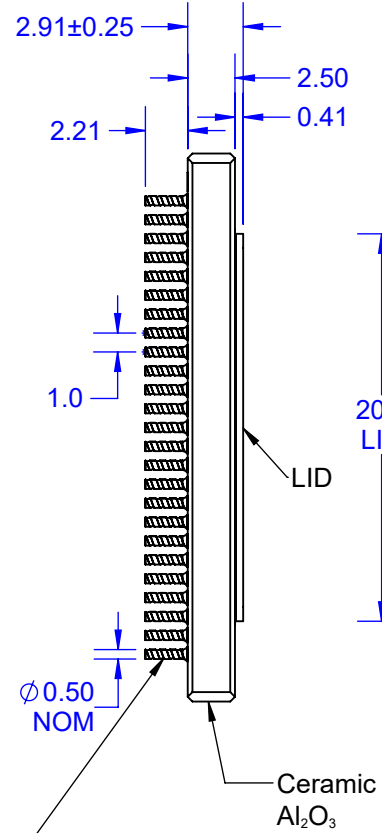


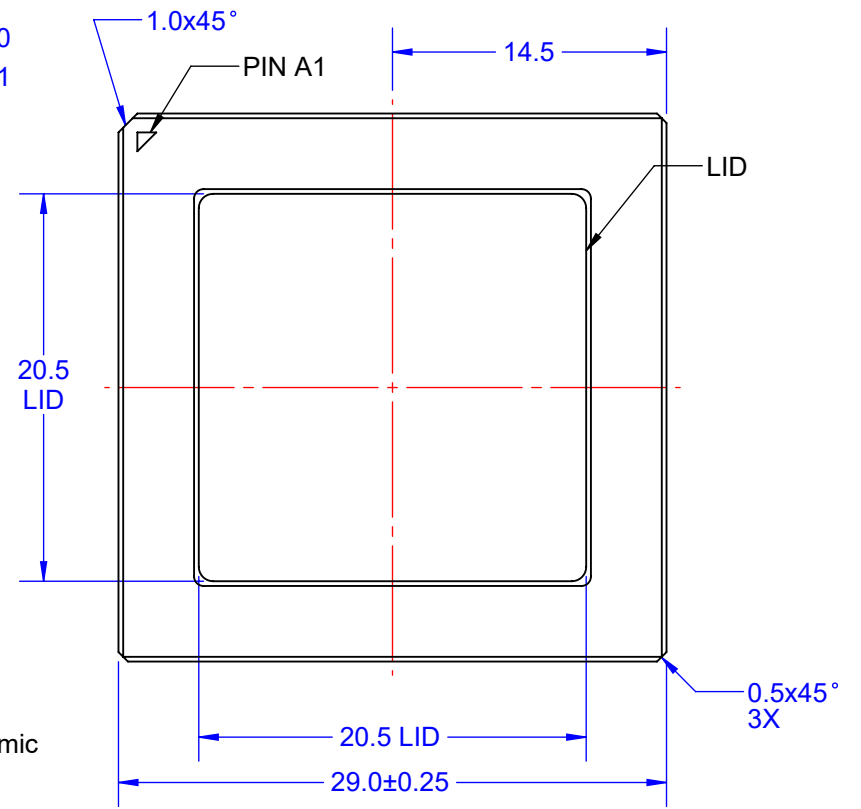
BOTTOM VIEW



SIDE VIEW



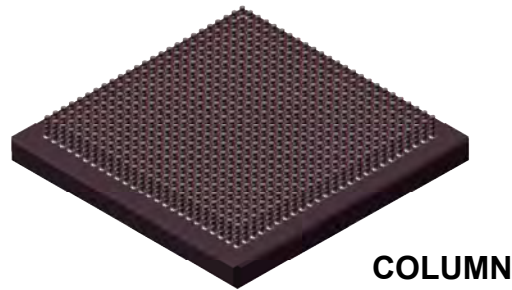
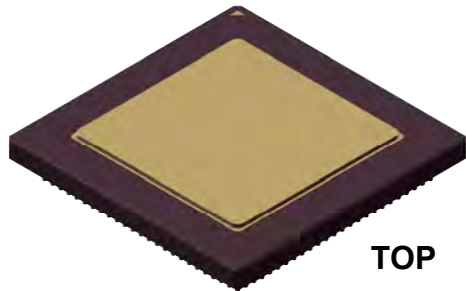
TOP VIEW



Pb80/Sn20
Cu RIBBON
COLUMNS

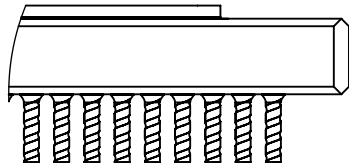
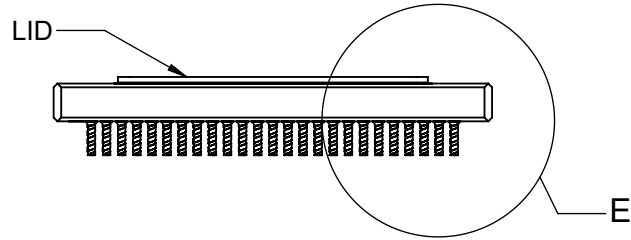


Notes: (Unless Otherwise Specified).
1) DIMENSIONS ARE IN mm.
2) PART# CCGA625T1.0-D

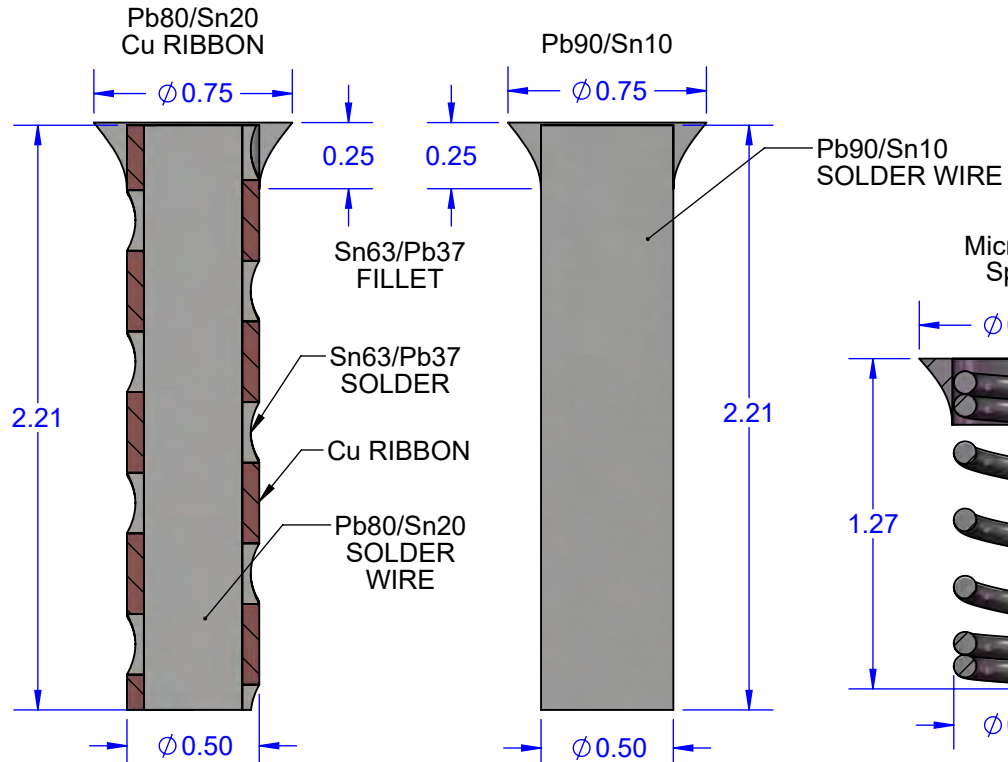


APPROVALS	DATE	TopLine®			
DRAWN T. Au	2/6/2024				
ENG M. Hart	2/6/2024	TITLE CCGA625 PITCH 1.0mm COLUMN GRID ARRAY			
MFG		SCALE 2.5:1	SIZE A	DRAWING NO. 160097	REV A
QA		DO NOT SCALE DRAWING			SHEET 1 OF 5
CUST					
REVISED					

SOLDER PIN OPTIONS

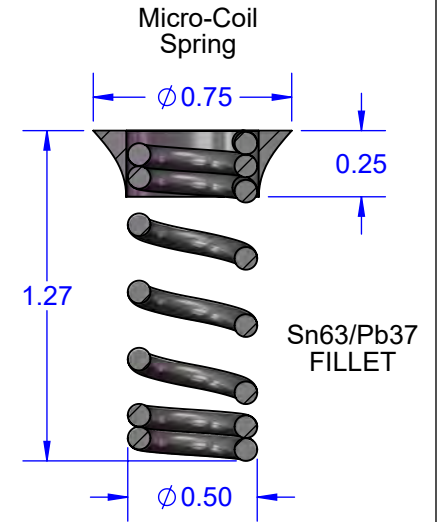


DETAIL E
SCALE 4 : 1

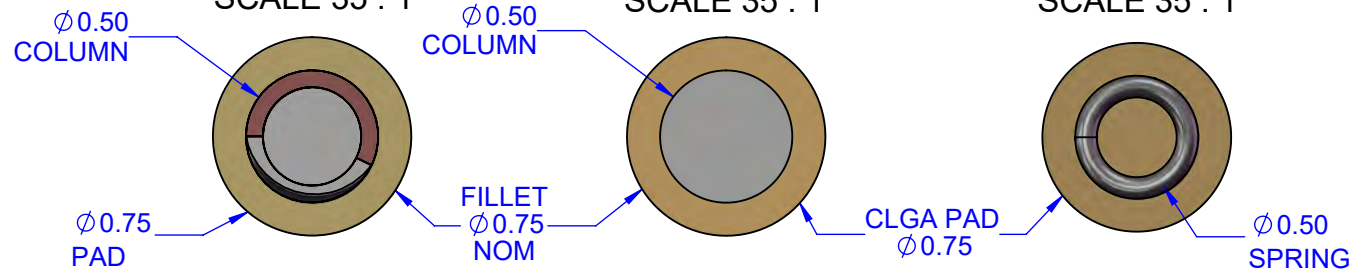
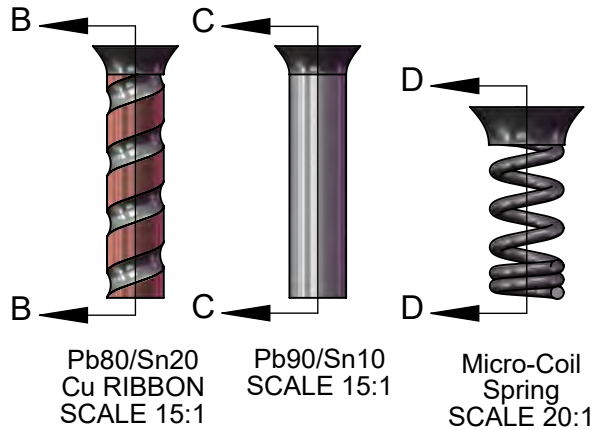


SECTION B-B
SCALE 35 : 1

SECTION C-C
SCALE 35 : 1



SECTION D-D
SCALE 35 : 1



TopLine[®]

TITLE CCGA625 PITCH 1.0mm
COLUMN GRID ARRAY

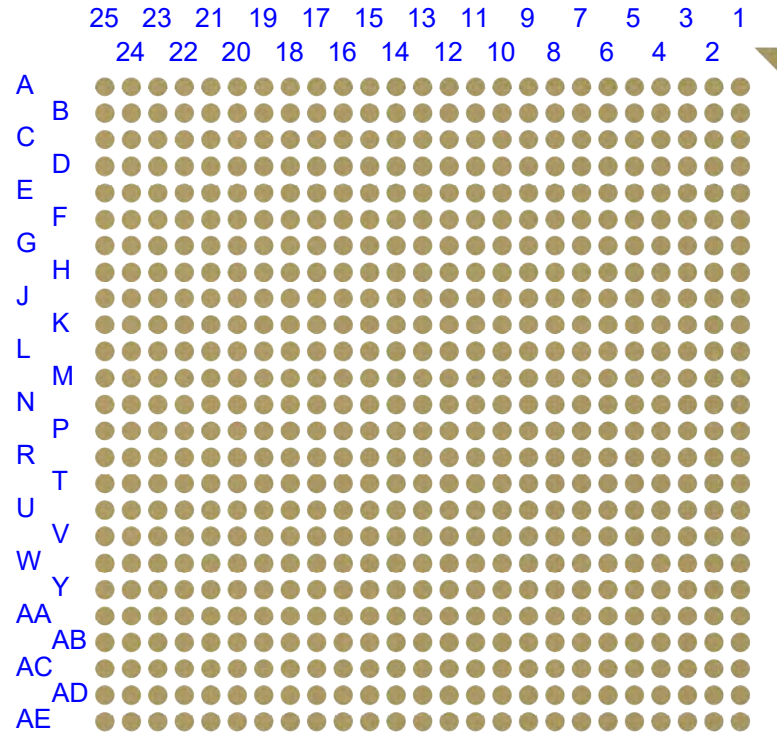
SCALE 2:1	SIZE A	DRAWING NO. 160097	REV A
--------------	-----------	-----------------------	----------

DO NOT SCALE DRAWING

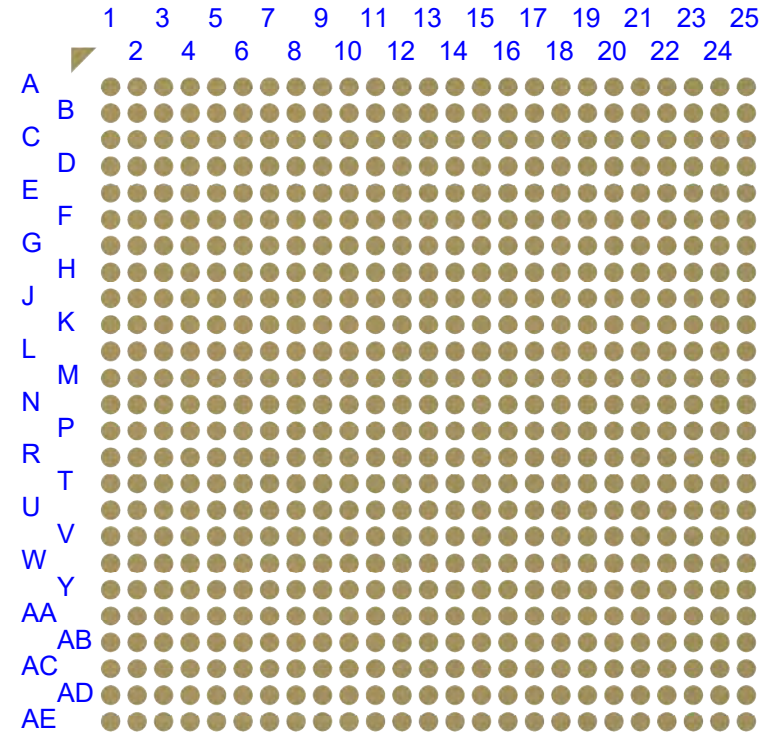
SHEET 2 OF 5

PAD PATTERN WITHOUT DAISY CHAIN

COLUMN (PAD) VIEW



BOTTOM X-RAY VIEWED FROM TOP



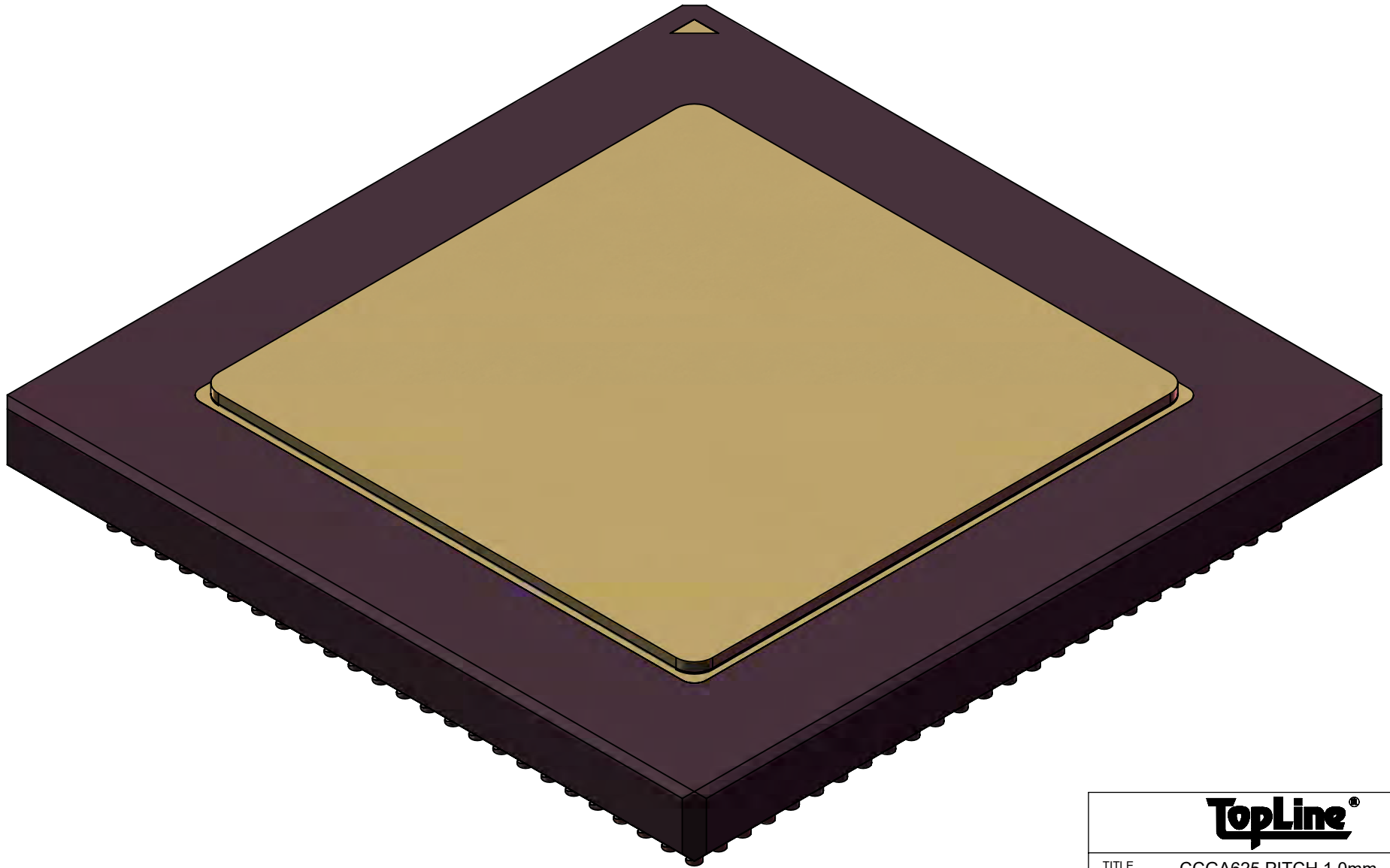
TopLine®

TITLE CCGA625 PITCH 1.0mm
 COLUMN GRID ARRAY

SCALE 3.5:1	SIZE A	DRAWING NO. 160097	REV A
----------------	-----------	-----------------------	----------

DO NOT SCALE DRAWING SHEET 3 OF 5

**CCGA MODEL
WITH COLUMNS
TOP VIEW**



TopLine®

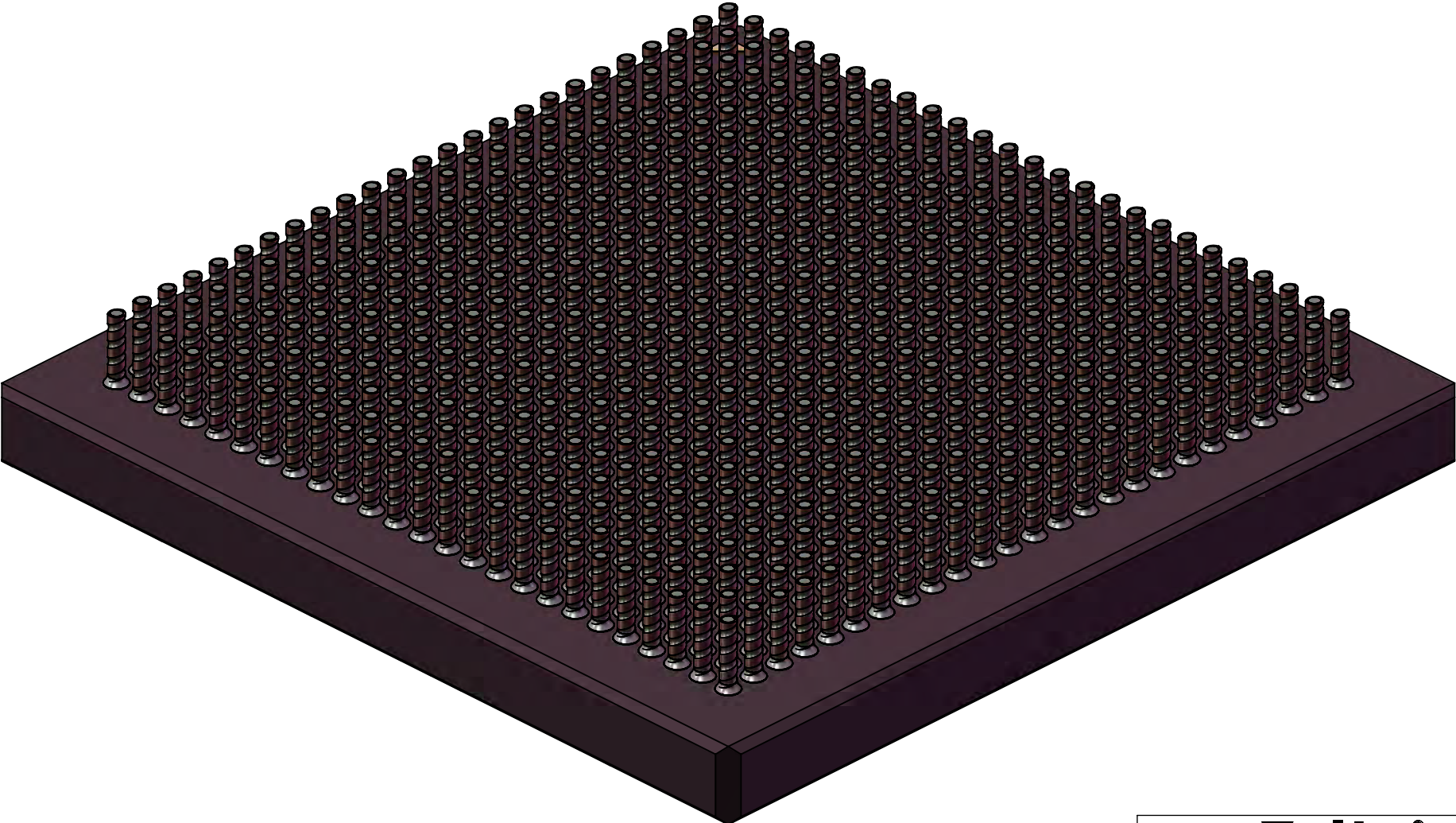
TITLE CCGA625 PITCH 1.0mm
COLUMN GRID ARRAY

SCALE 6:1	SIZE A	DRAWING NO. 160097	REV A
--------------	-----------	-----------------------	----------

DO NOT SCALE DRAWING

SHEET 4 OF 5

**CCGA MODEL
Pb80 Sn20
COPPER WRAP COLUMNS**



TopLine®			
TITLE		CCGA625 PITCH 1.0mm COLUMN GRID ARRAY	
SCALE	SIZE	DRAWING NO.	REV
6:1	A	160097	A
DO NOT SCALE DRAWING			SHEET 5 OF 5