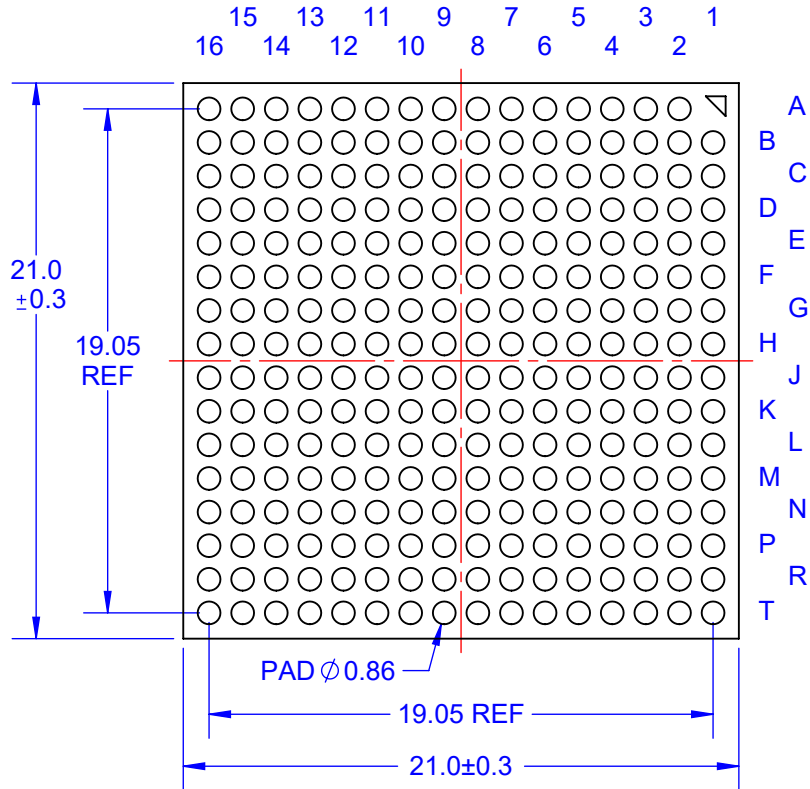
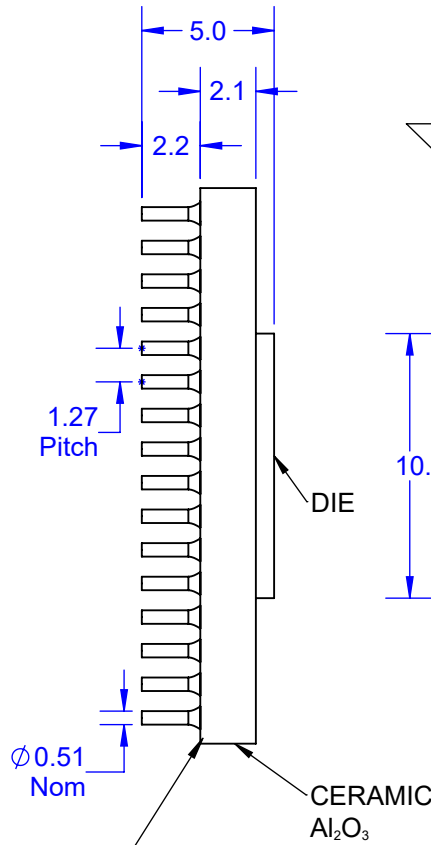


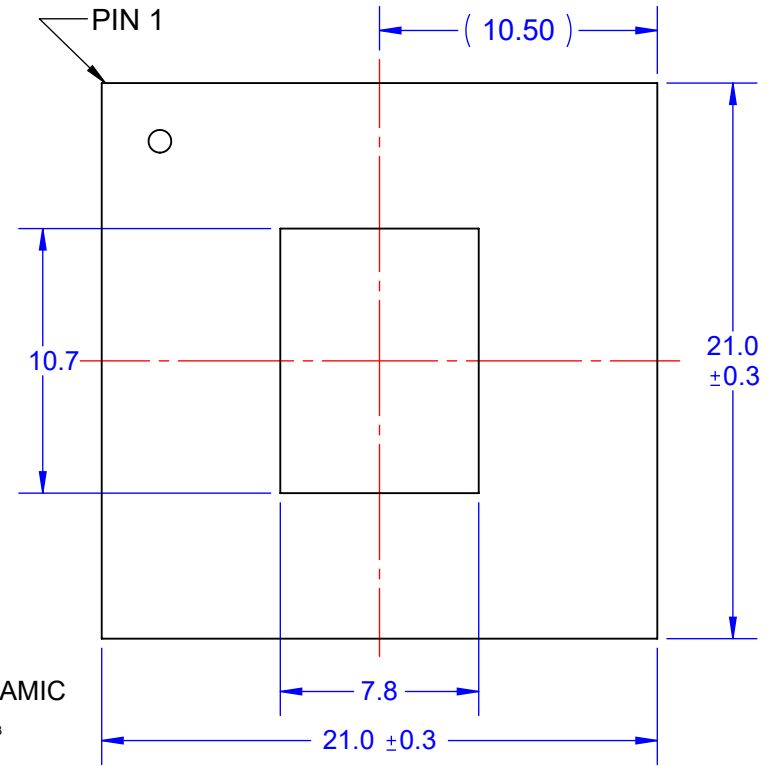
6CHCA J9K



Pb90/Sn10
WIRE COLUMNS




HCD J9K



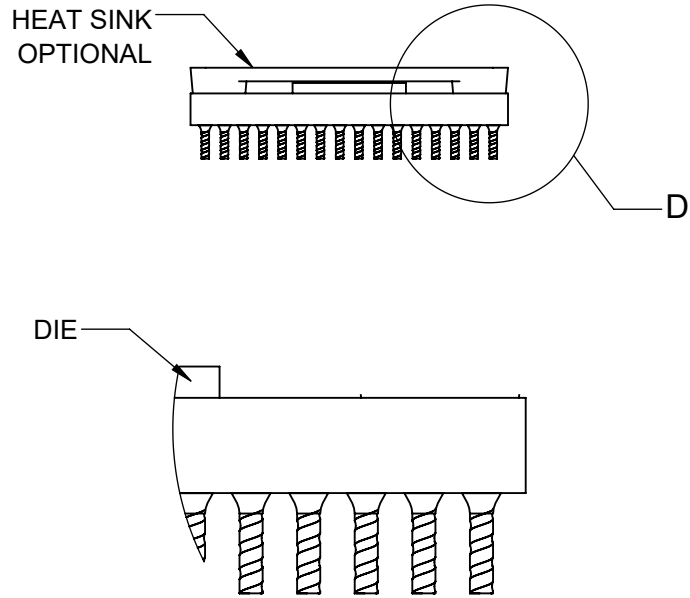
Notes: (Unless Otherwise Specified)

- 1) DIMENSION ARE IN mm.
- 2) SHOWN WITH Pb90/Sn10 Cu PLAIN COLUMNS.
- 3) 255 COLUMNS.
- 4) DIE SIZE 10.7 x 7.8 x 0.9 MM.
- 5) PART NUMBER CCGA255T1.27A-D.

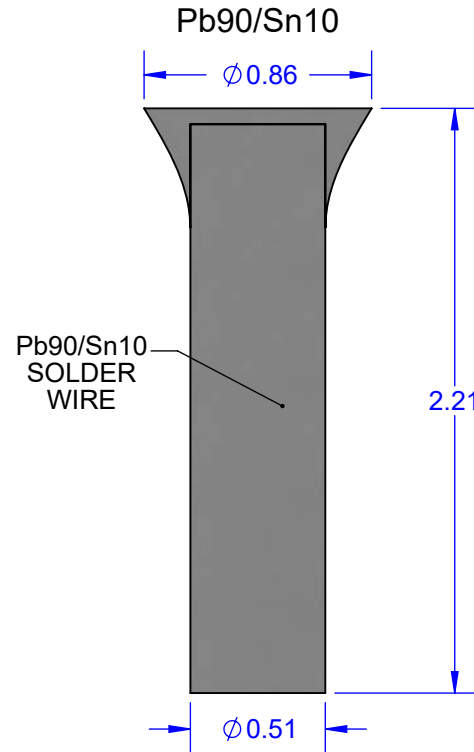
D5 FHBI A69F CDHCBG			
PART NUMBER	DUMMY DIE	SOLDER PIN	HS
CCGA255T1.27A-D	YES	Pb90/Sn10	NO

APPROVALS	DATE			
DRAWN T. Au	4/4/2021			
ENG M. Hart	4/4/2021	TITLE CCGA255T1.27A-D COLUMN GRID ARRAY		
MFG		SCALE 3.5:1	SIZE A	DRAWING NO. 160032
QA				REV A
CUST				
REVISED		DO NOT SCALE DRAWING		SHEET 1 OF 5

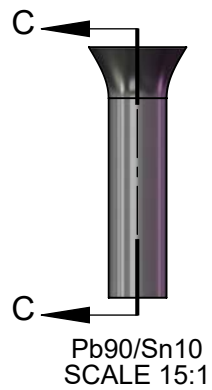
GC @ 9 F 'D-B' DV- \$/Gb%\$



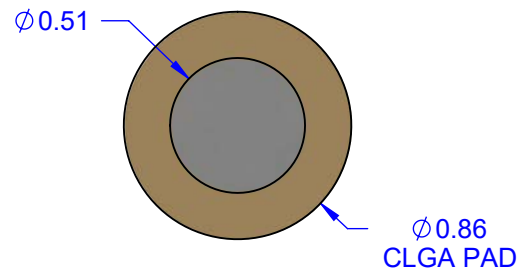
DETAIL D
SCALE 6 : 1



SECTION C-C
SCALE 35 : 1



Pb90/Sn10
SCALE 15:1



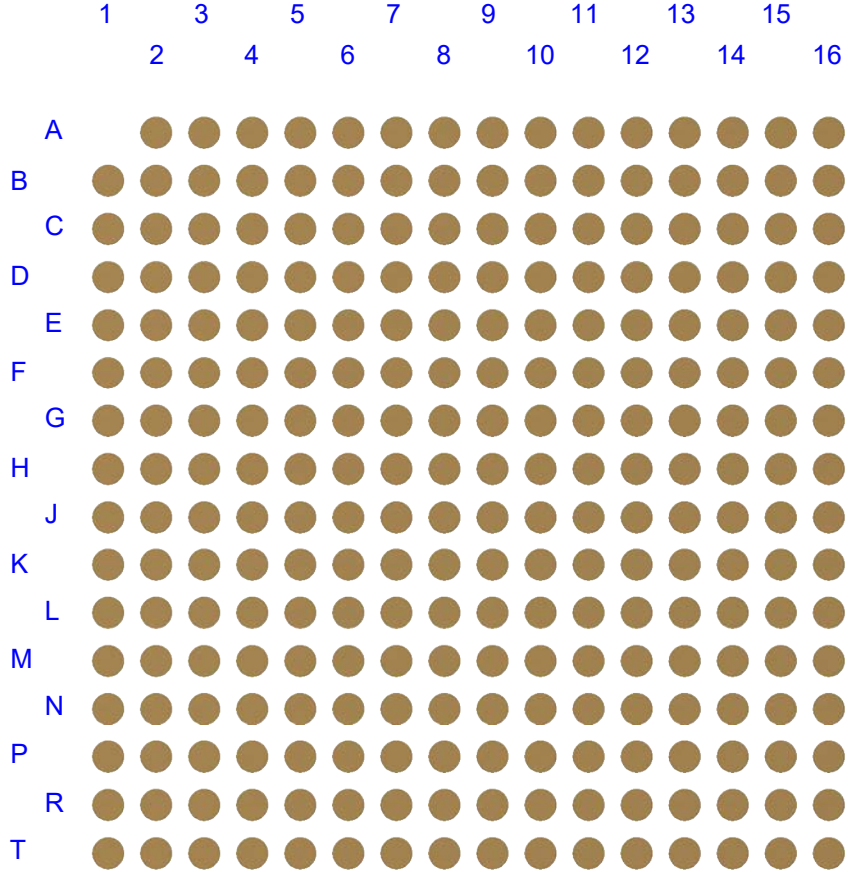
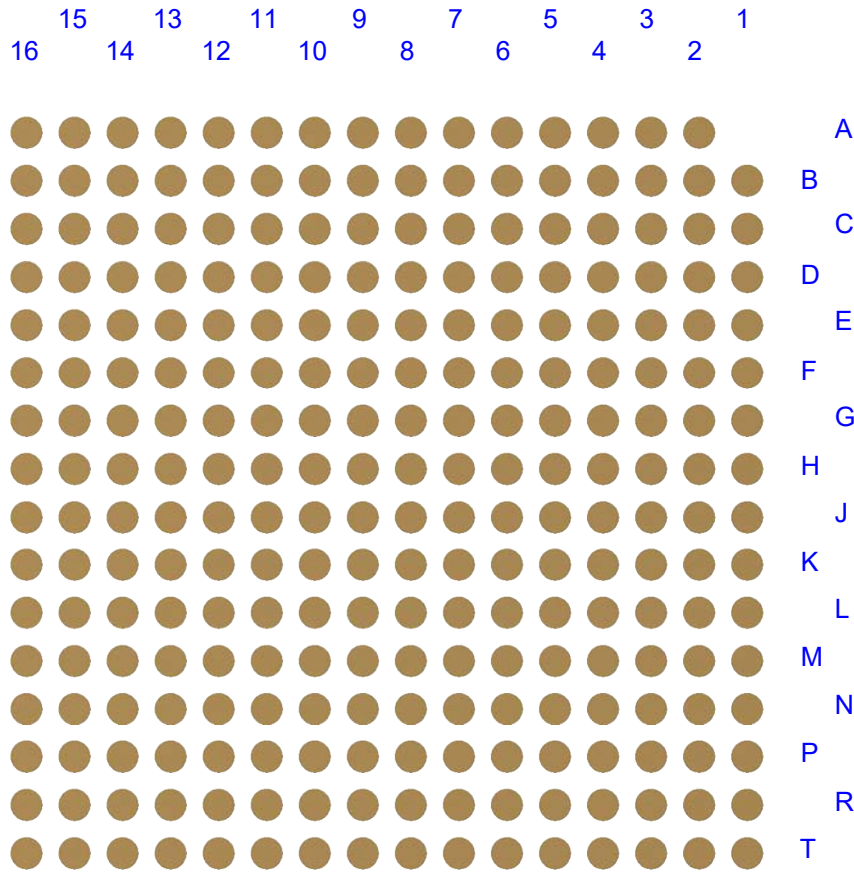
$\phi 0.86$
CLGA PAD

TopLine[®]			
TITLE CCGA255T1.27A-D COLUMN GRID ARRAY			
SCALE 1.75:1	SIZE A	DRAWING NO. 160032	REV A
DO NOT SCALE DRAWING			SHEET 2 OF 5

D58 'D5 HH9FB

7C@ AB'J9K

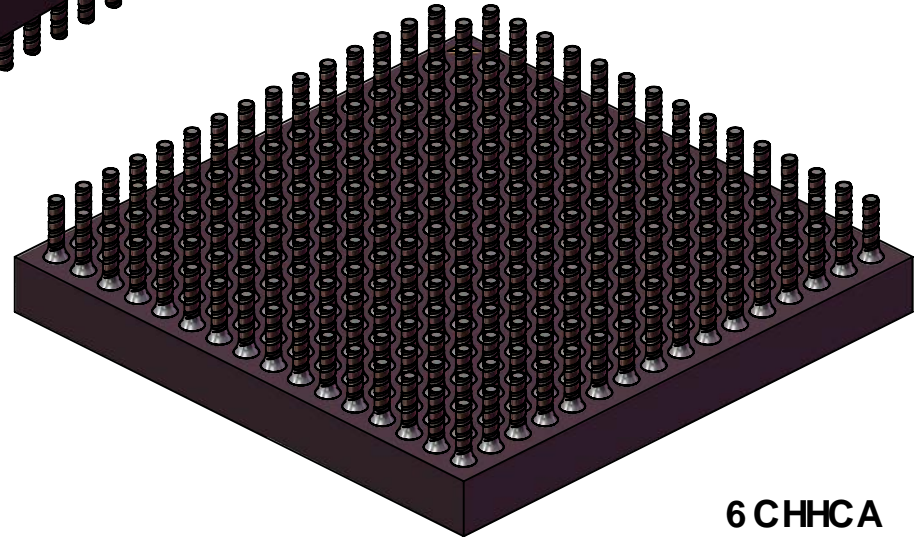
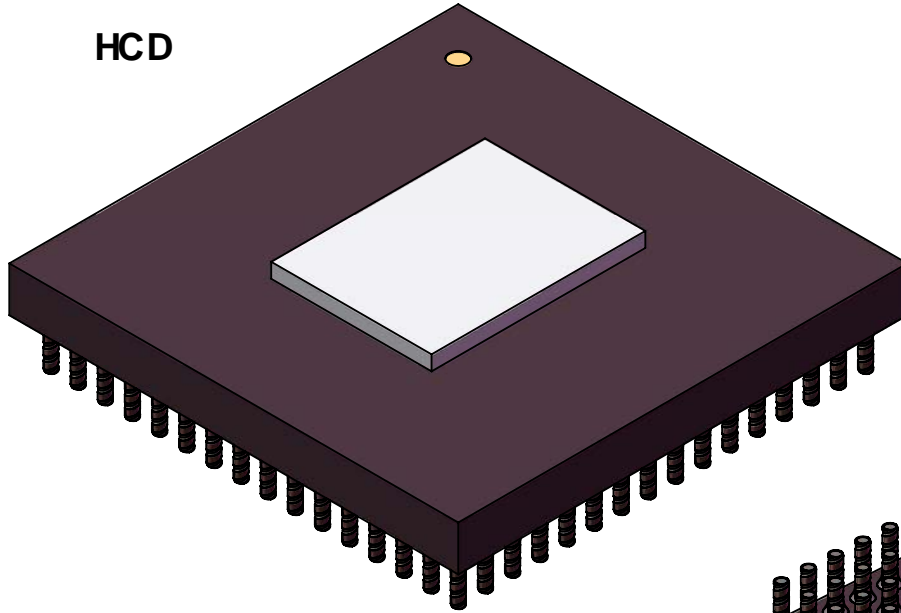
6CHCA 'L!F5MJ9K98': FCA 'HCD



TopLine®			
TITLE CCGA255T1.27A-D COLUMN GRID ARRAY			
SCALE 2.75:1	SIZE A	DRAWING NO. 160032	REV A
DO NOT SCALE DRAWING			SHEET 3 OF 5

AC89@
K #k CI H < 95 H'G-B?

HCD



6 CHCA

TopLine[®]

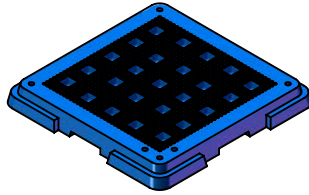
TITLE CCGA255T1.27A-D
COLUMN GRID ARRAY

SCALE 2.75:1	SIZE A	DRAWING NO. 160032	REV A
-----------------	-----------	-----------------------	----------

DO NOT SCALE DRAWING

SHEET 4 OF 5

9LD@C898`J=9K
 77; 5`HF5 M6 CL`GMGH9A
 %!&+AA`D=H7 <

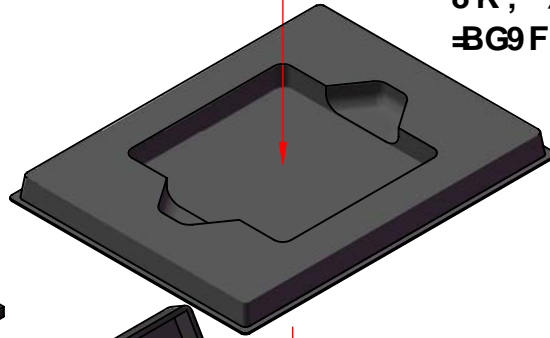


8 K; '\$' &\$\$\$
 6 @ 9`75 FF=9F
 %\$`r`%\$`%&

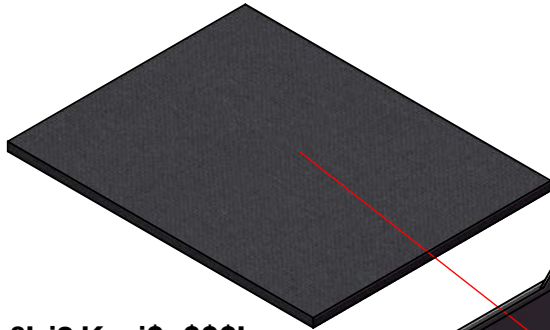
5 GG9 A 6 @ 8



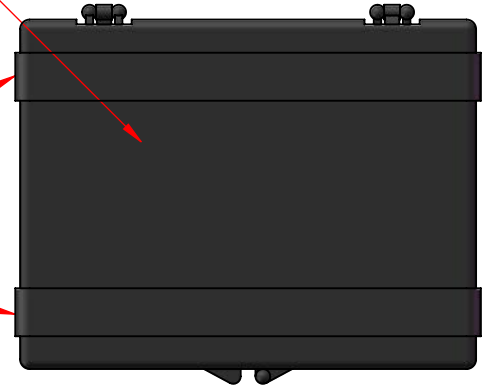
8 K; `% \$%/\$`
 =BG9 FH`%\$(`r`%\$`)



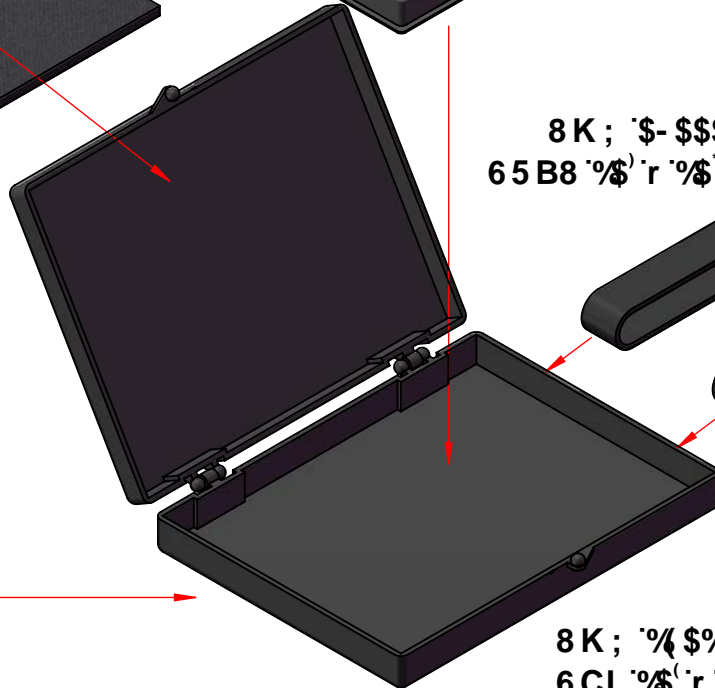
71 GHCA9F
 @ 69 @



&L`8 K; '\$-\$\$\$`
 : C5 A`%\$`r`%\$`



7 @CG98`6 CL



8 K; '\$-\$\$\$`
 65 B8`%\$`r`%\$`

8 K; '\$-\$\$\$-`
 =BG9 FH`%\$`%&



8 K; `% \$%/\$`
 6 CL`%\$(`r`%\$`)

APPROVALS	DATE	TopLine®			
DRAWN T. Au	4/4/2021				
ENG M. Hart	4/4/2021	TITLE CCGA255 TRAY BOX BLUE CARRIER			
MFG		SCALE	SIZE	DRAWING NO.	REV
QA		1:2	A	932169	A
CUST		DO NOT SCALE DRAWING			SHEET 5 OF 5
REVISED					