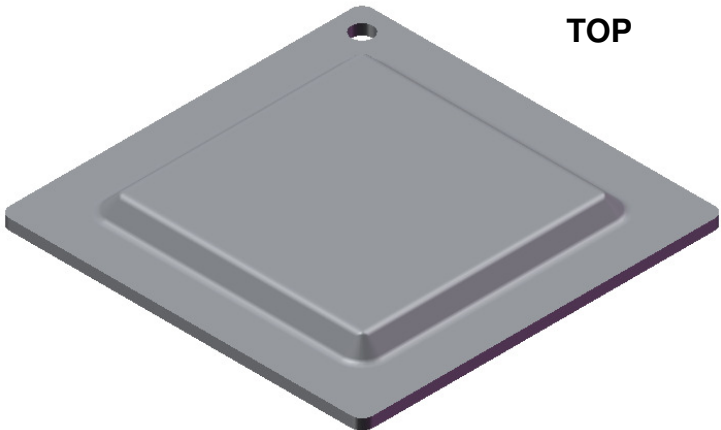
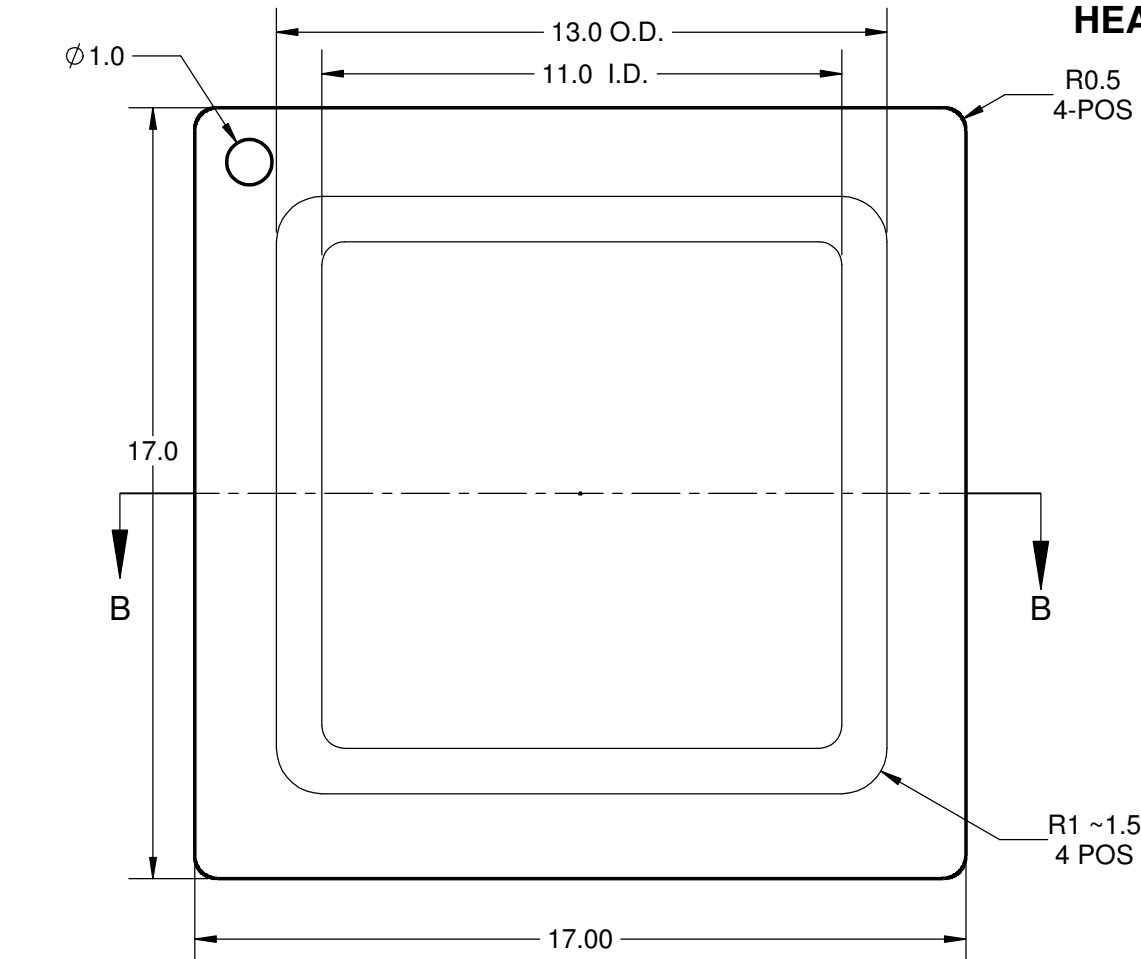
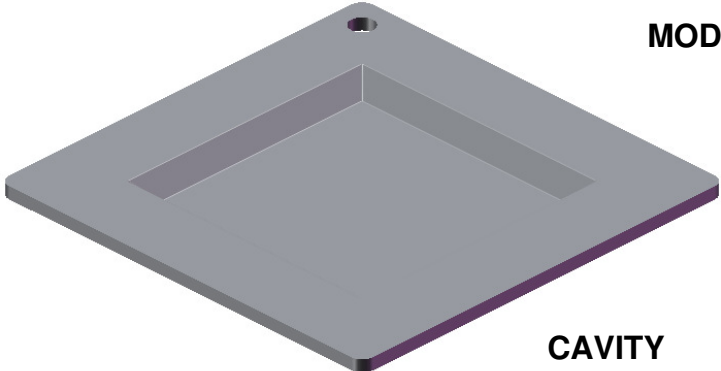


# HEAT SPREADER

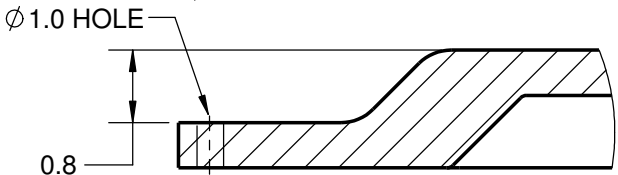


TOP

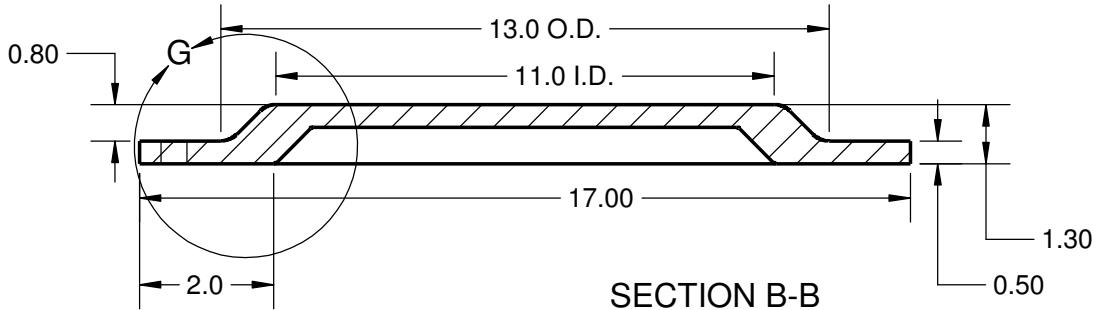


MODEL

CAVITY



DETAIL G  
SCALE 12 : 1



SECTION B-B  
SCALE 6 : 1

**NOTES:**

- 1. DIMENSION in MM
- 2. MATERIAL: COPPER ALLOY C1020 OR C1100  
HALF HARD, OXYGEN FREE
- 3. PLATING: NICKEL 5um MIN (SEMI FINISH)

APPROVALS	DATE	<b>TopLine®</b>			
DRAWN T. Au	08/16/2017				
ENG M. Hart	08/16/2017	TITLE H-CAP17B HEAT SPREADER			
MFG		SCALE	SIZE	DRAWING NO.	REV
QA		3:1	A	217710	A
CUST		DO NOT SCALE DRAWING			SHEET 1 OF 1
REVISED					