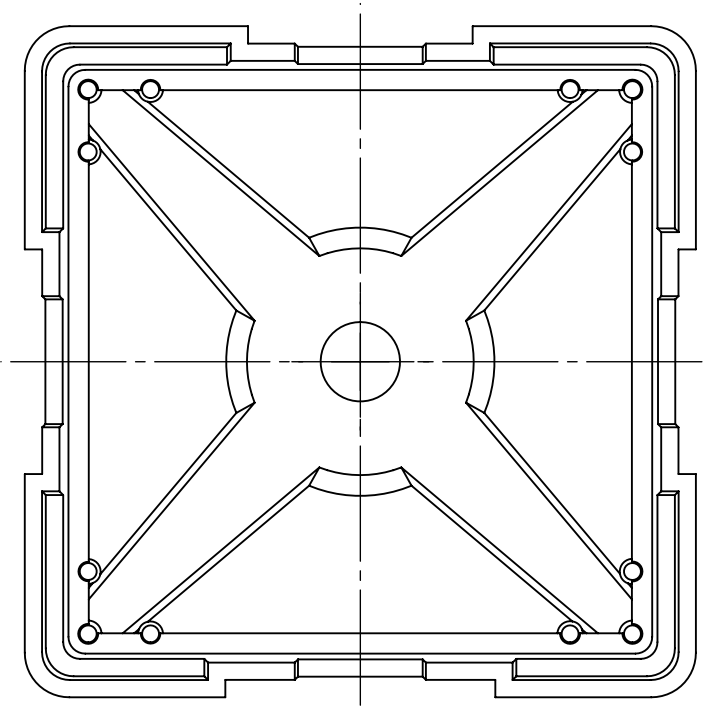
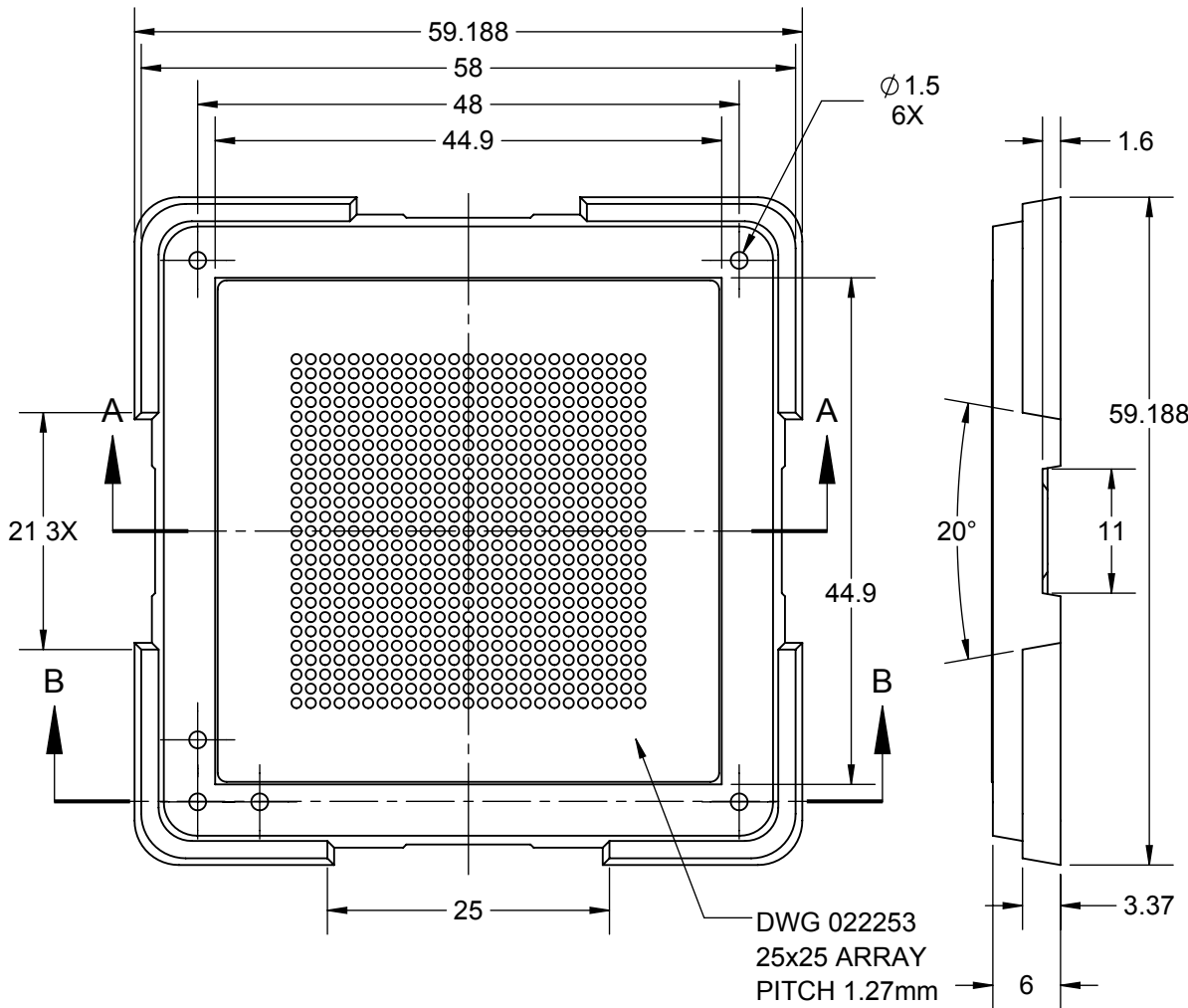


HCD

G89

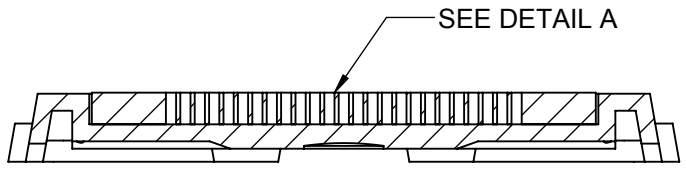
6CHCA



NOTES:

- 1. DIMENSION MM.
- 2. MATERIAL: BLUE ABS PERMASTAT® 600.
- 3. TEMPERATURE 60° MAX.
- 4. PERMANENT ESD
 - a. BLUE CARRIER RESISTIVITY $10^9 \sim 10^{10} \Omega$.
 - b. BLACK INSERT RESISTIVITY $10^4 \sim 10^6 \Omega$.

SEE DETAIL A



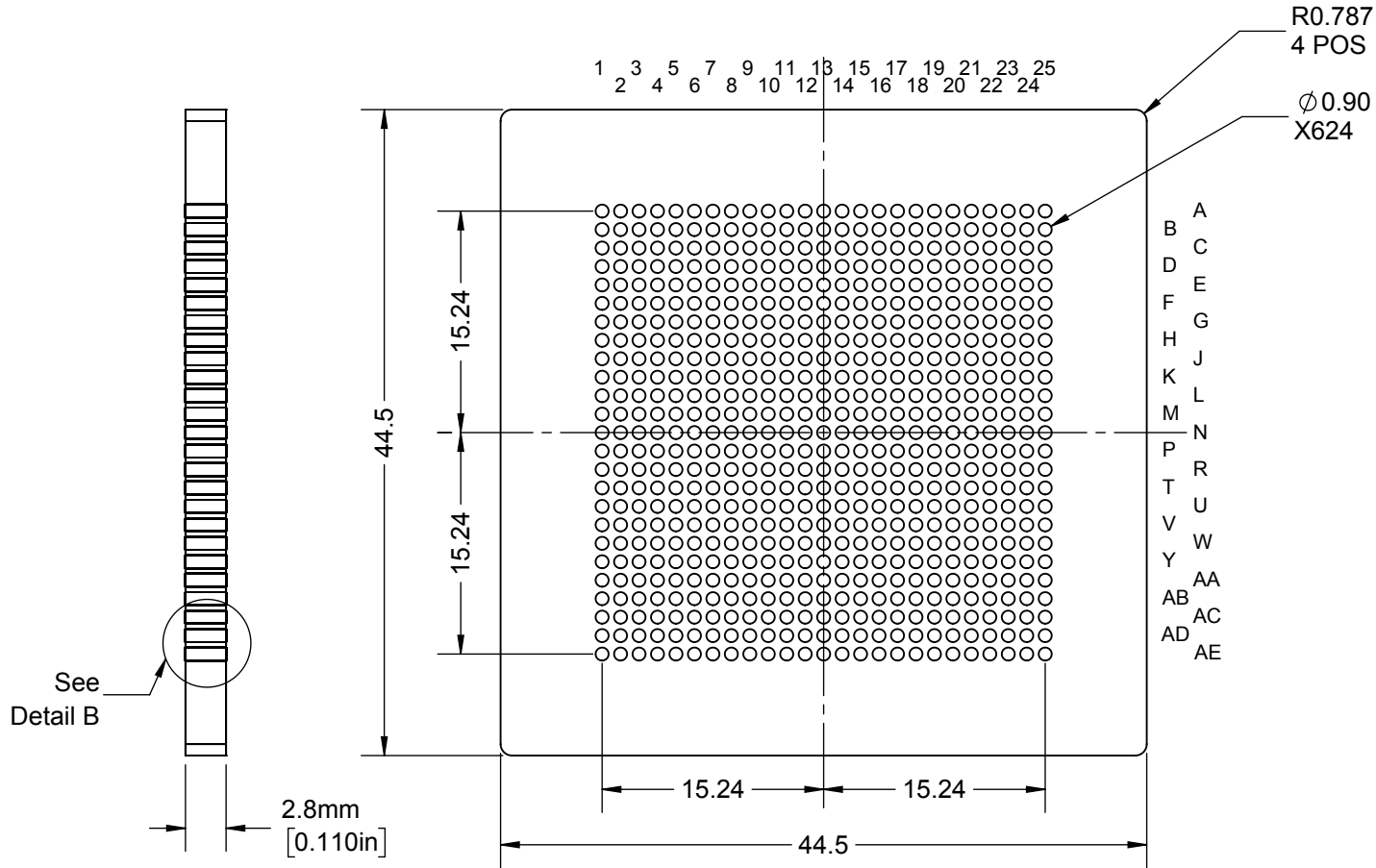
G97 HCB'5!5

APPROVALS	DATE	TopLine®			
DRAWN T. Au	8/2/2020				
ENG M. Hart	8/2/2020	TITLE CCGA 624 1.27MM CARRIER			
MFG		SCALE	SIZE	DRAWING NO.	REV
QA		3:2	A	038225	A
CUST		DO NOT SCALE DRAWING			SHEET 1 OF 4
REVISED					

G89J9K

HCDJ9K

89H5=@5



NOTES:

1. DIMENSIONS MM [INCH].

2. MATERIAL:

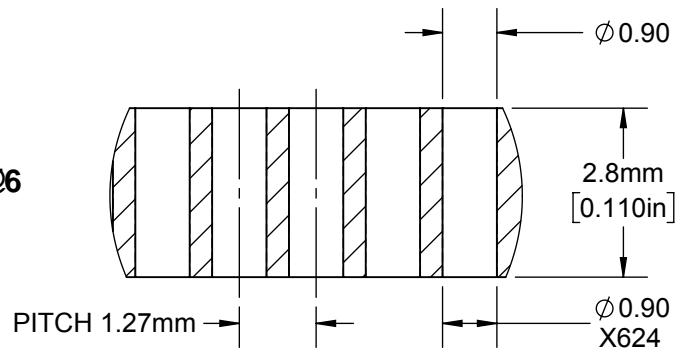
A. CONDUCTIVE PLASTIC BLACK

B. RAW MATERIAL DWG 120280

C. eM22 10⁴~ 10⁶ Ω.

D. PERMANENT ESD SAFE.

89H5=@6



TopLine[®]

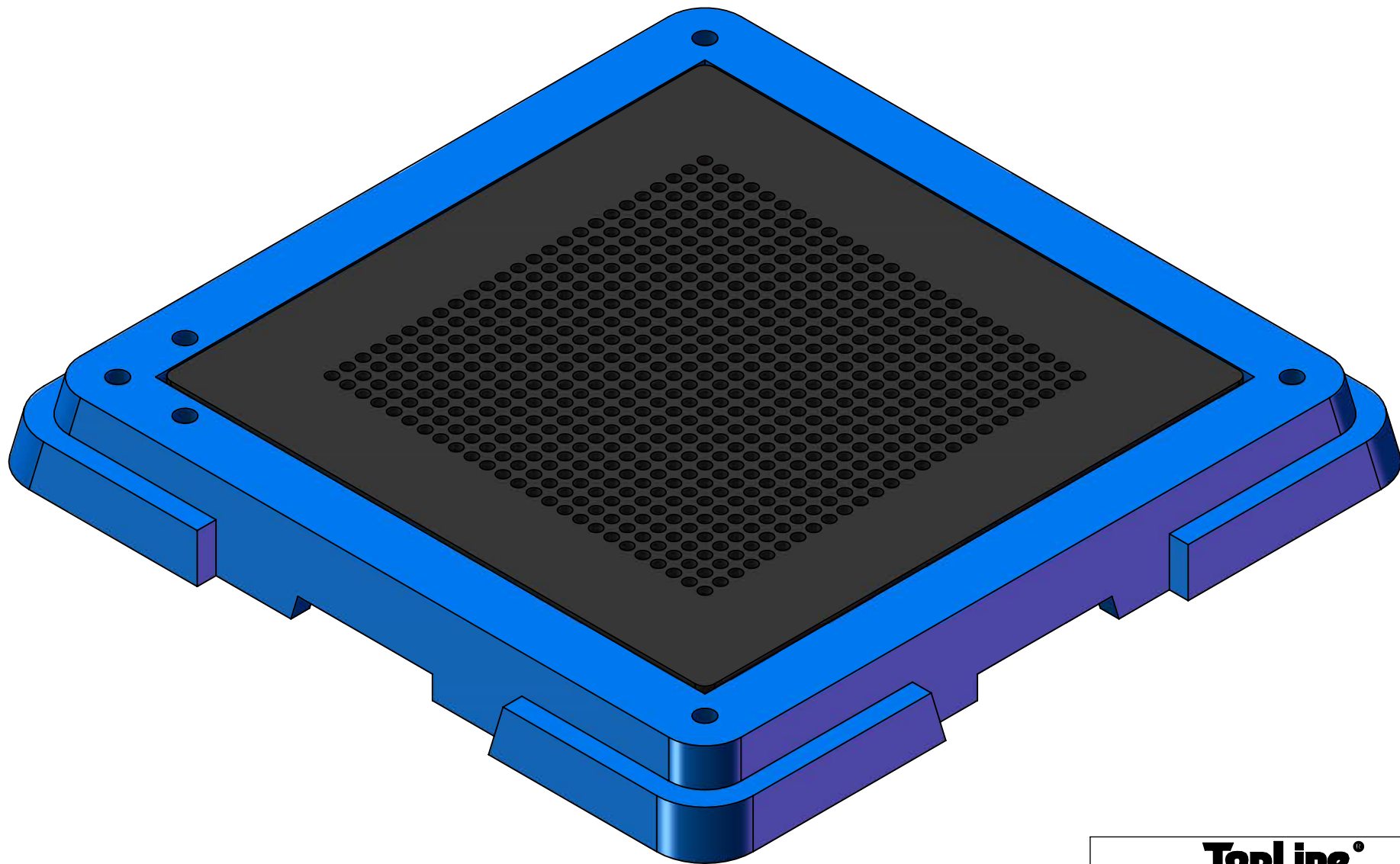
TITLE CCGA 624
1.27MM CARRIER

SCALE 2:1	SIZE A	DRAWING NO. 038225	REV A
--------------	-----------	-----------------------	----------

DO NOT SCALE DRAWING

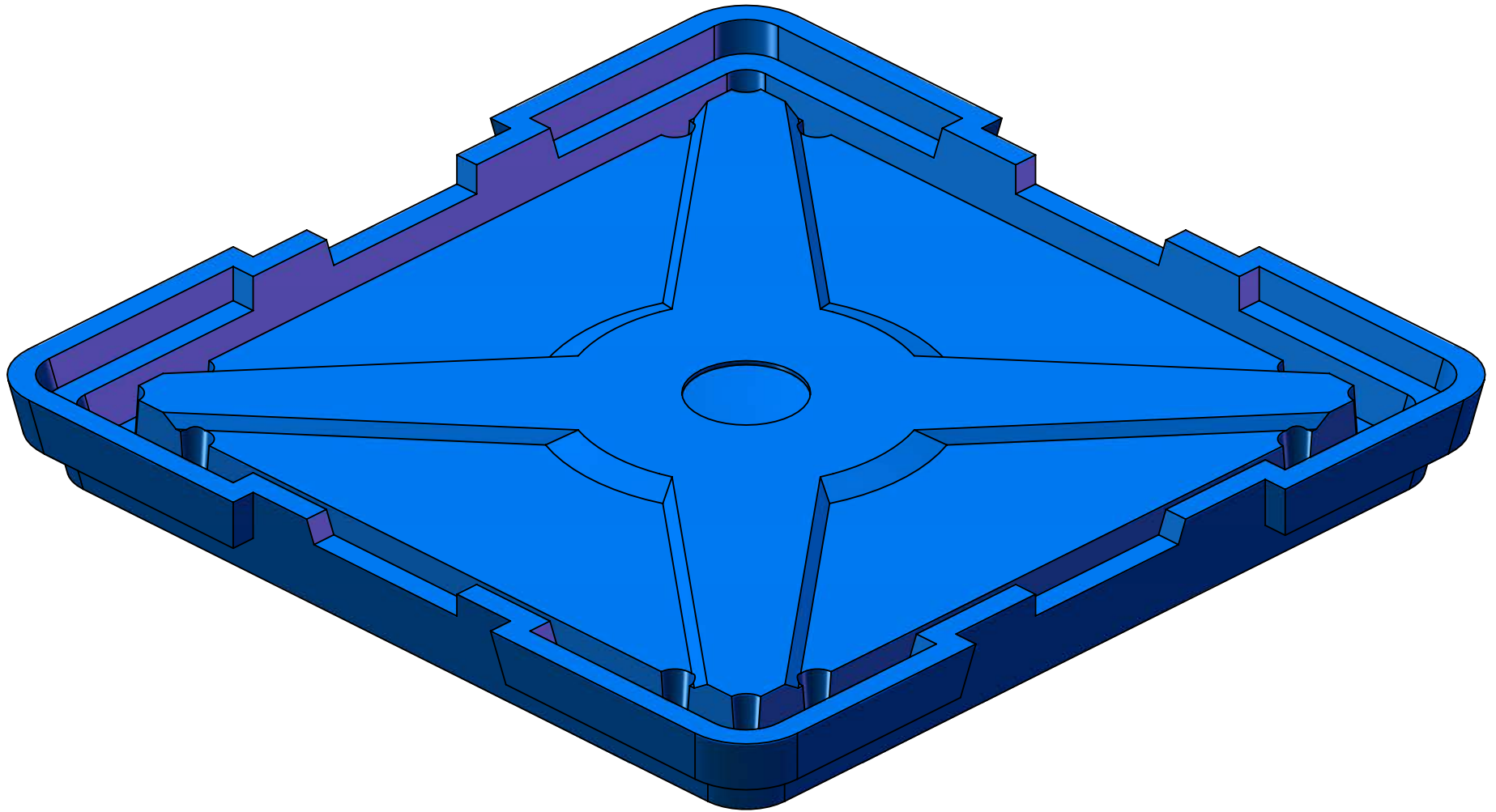
SHEET 2 OF 4

AC89@HCD



TopLine[®]			
TITLE		CCGA 624 1.27MM CARRIER	
SCALE	SIZE	DRAWING NO.	REV
3:1	A	038225	A
DO NOT SCALE DRAWING			SHEET 3 OF 4

AC89@
6 CHCA



TopLine[®]			
TITLE		CCGA 624 1.27MM CARRIER	
SCALE	SIZE	DRAWING NO.	REV
3:1	A	038225	A
DO NOT SCALE DRAWING			SHEET 4 OF 4