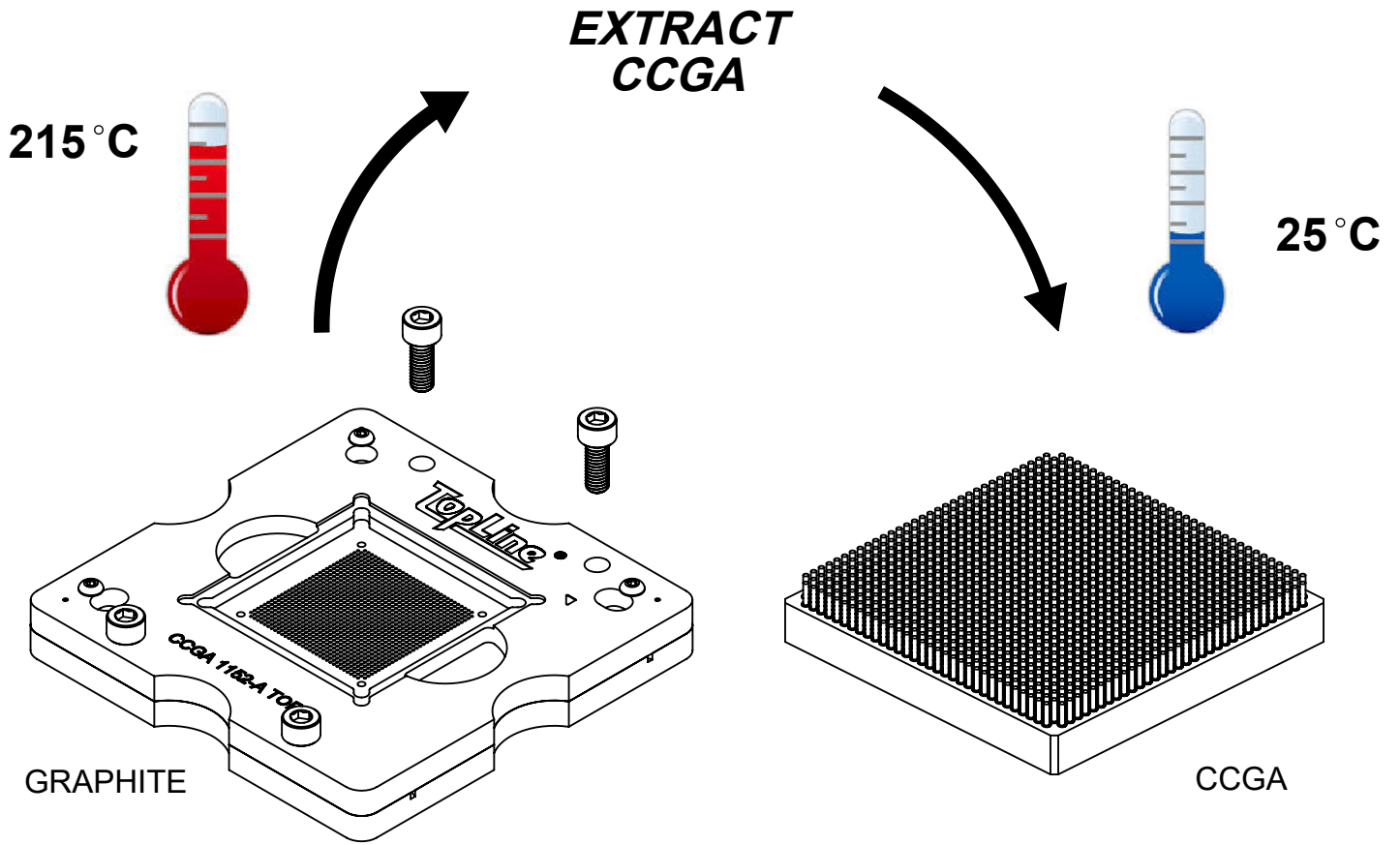


CCGA EXTRACTION FROM GRAPHITE

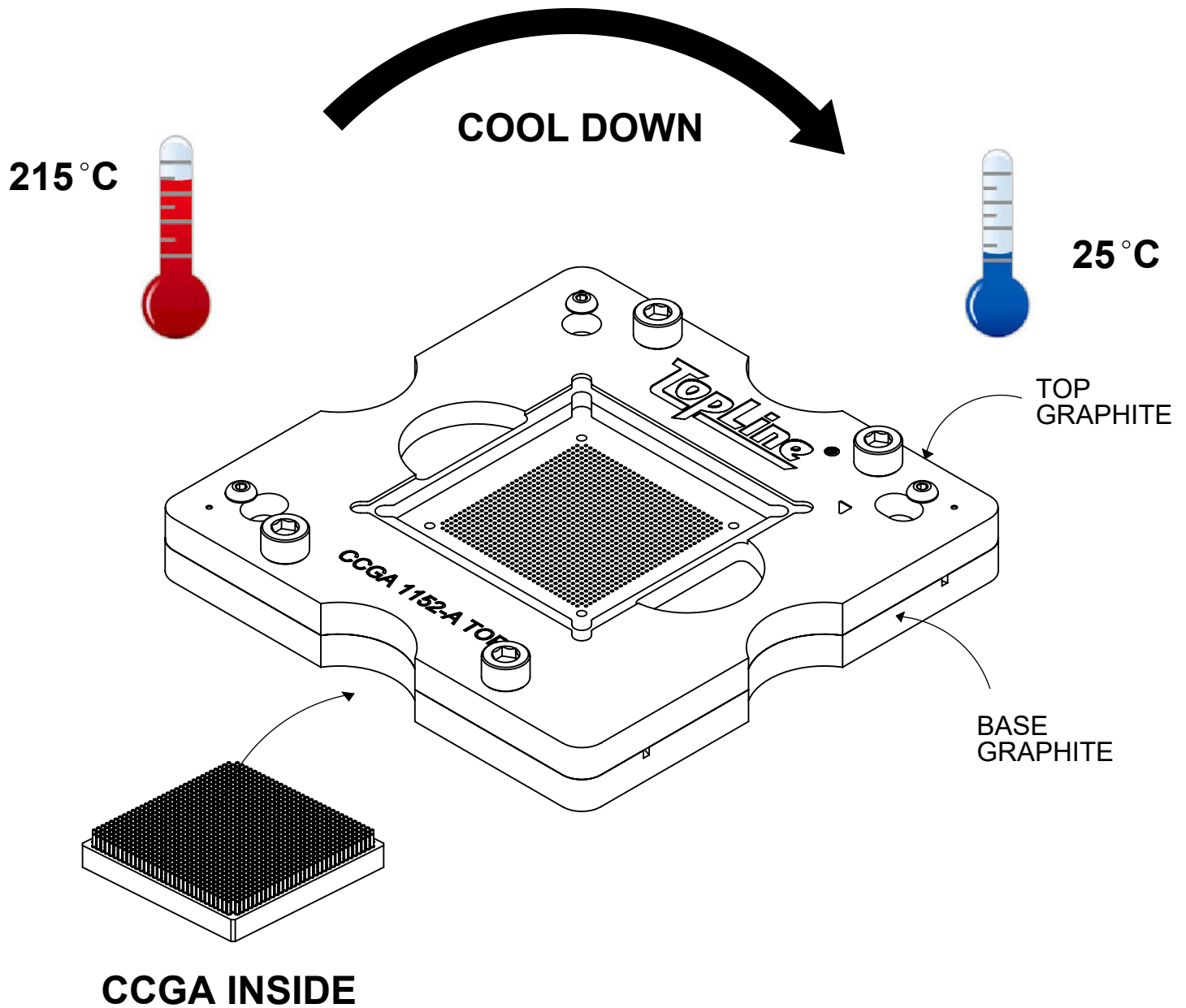


APPROVALS	DATE	TopLine[®]			
DRAWN T.Au	09/13/16				
ENG M. Hart	09/13/16	TITLE CCGA EXTRACTION FROM GRAPHITE			
MFG					
QA		SCALE 2:3	SIZE A	DRAWING NO. 001991	REV A
CUST					
REVISED		DO NOT SCALE DRAWING			SHEET 1 OF 12

TABLE OF CONTENTS

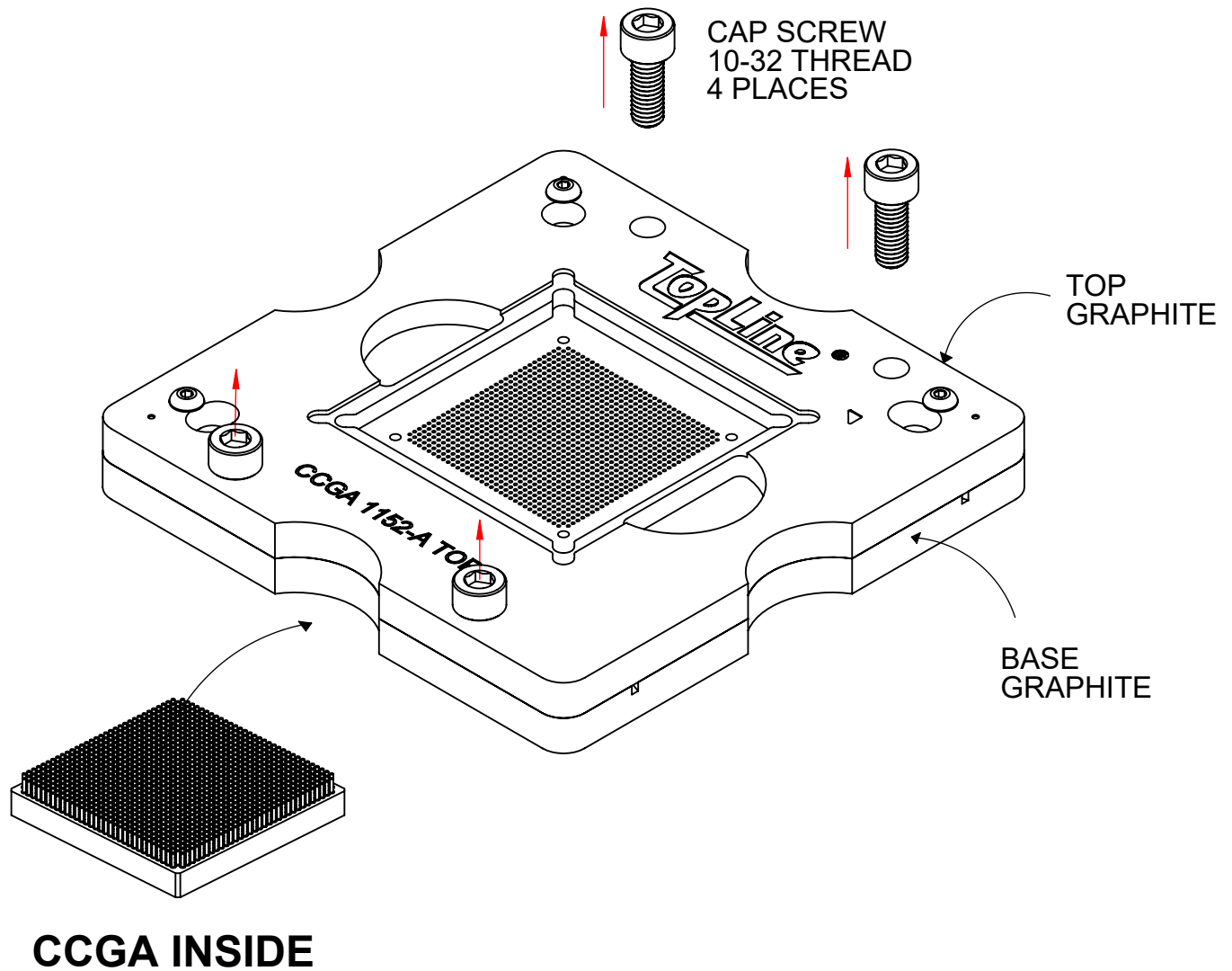
STEP	ITEM	TOOL	PAGE
1	COOL DOWN AFTER REFLOW	GRAPHITE SET	3
2	REMOVE LARGE SCREWS	GRAPHITE SET	4
3	LIFT TOP GRAPHITE	GRAPHITE SET	5
4	FLIP OVER TOP GRAPHITE	TOP GRAPHITE	6
5	DE-FLUX (CLEAN FLUX)	TOP GRAPHITE	7
6	PREPARE EXTRACTION	EXTRACTION TOOL	8
7	ALIGN GRAPHITE EXTRACTION	CROSS SECTION	9
8	PUSH UP CCGA	TOP GRAPHITE EXTRACTION	10
9	REMOVE CCGA	TOP GRAPHITE EXTRACTION	11
10	INSPECT CCGA		12

STEP 1 REMOVE GRAPHITE FROM REFLOW OVEN



TopLine [®]			
TITLE		CCGA EXTRACTION FROM GRAPHITE	
SCALE	SIZE	DRAWING NO.	REV
2:3	A	001991	A
DO NOT SCALE DRAWING			SHEET 3 OF 12

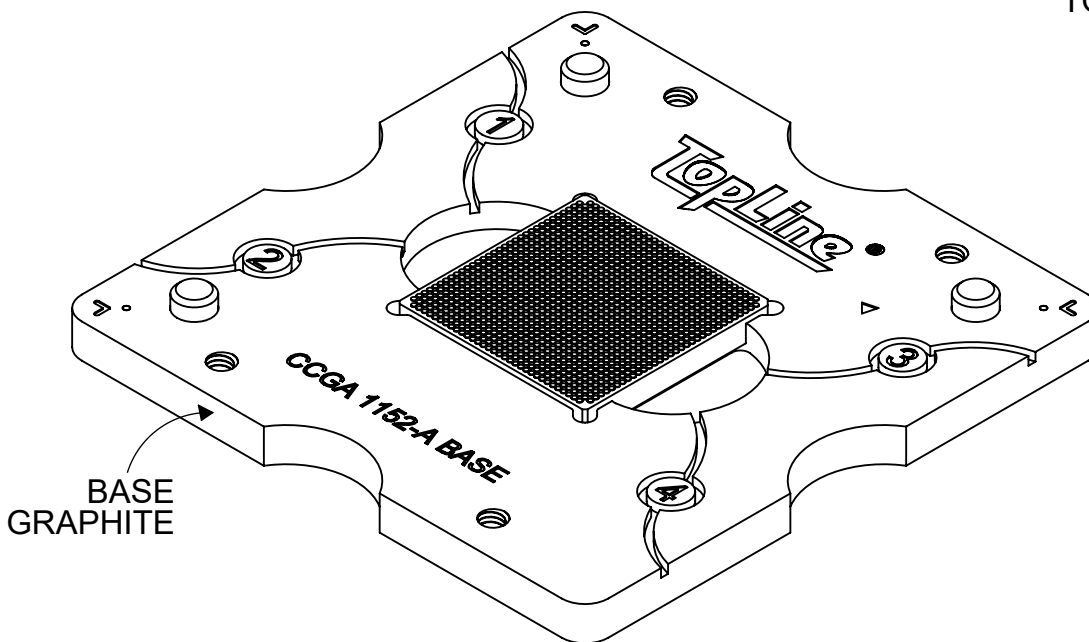
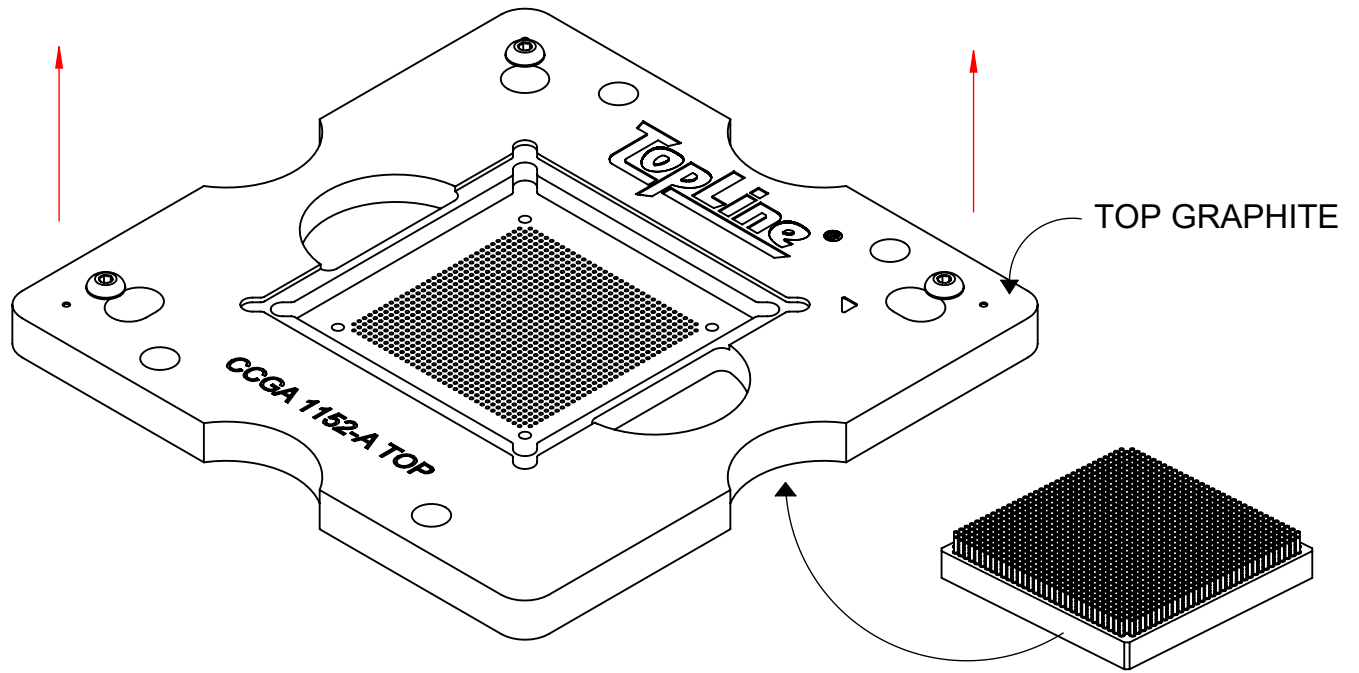
STEP 2 REMOVE LARGE SCREWS



- NOTES:
1) KEEP GRAPHITE FLAT ON WORK BENCH.
2) REMOVE FOUR LARGE SCREWS BY HAND.
3) DO NOT REMOVE SMALL SCREWS.

TopLine®			
TITLE		CCGA EXTRACTION FROM GRAPHITE	
SCALE	SIZE	DRAWING NO.	REV
2:3	A	001991	A
DO NOT SCALE DRAWING			SHEET 4 OF 12

STEP 3 LIFT TOP GRAPHITE

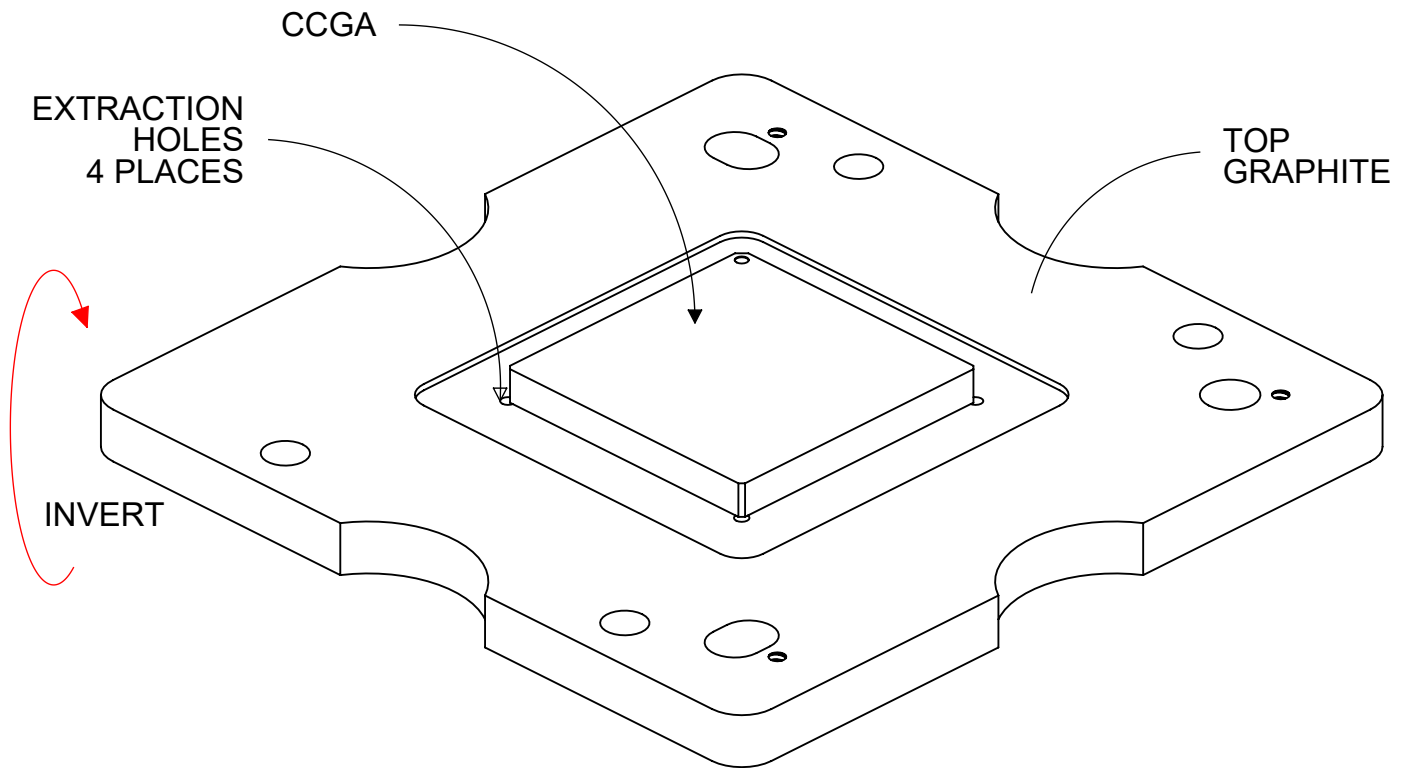


NOTES:

- 1) PLACE BASE GRAPHITE ON WORK BENCH WHILE REMOVING TOP.
- 2) USE CAUTION WHEN LIFTING TOP GRAPHITE PLATE.
THE CCGA MAY BE ATTACHED TO THE UNDERSIDE OF THE TOP PLATE.

TopLine®			
TITLE		CCGA EXTRACTION FROM GRAPHITE	
SCALE	SIZE	DRAWING NO.	REV
3:1	A	001991	A
DO NOT SCALE DRAWING			SHEET 5 OF 12

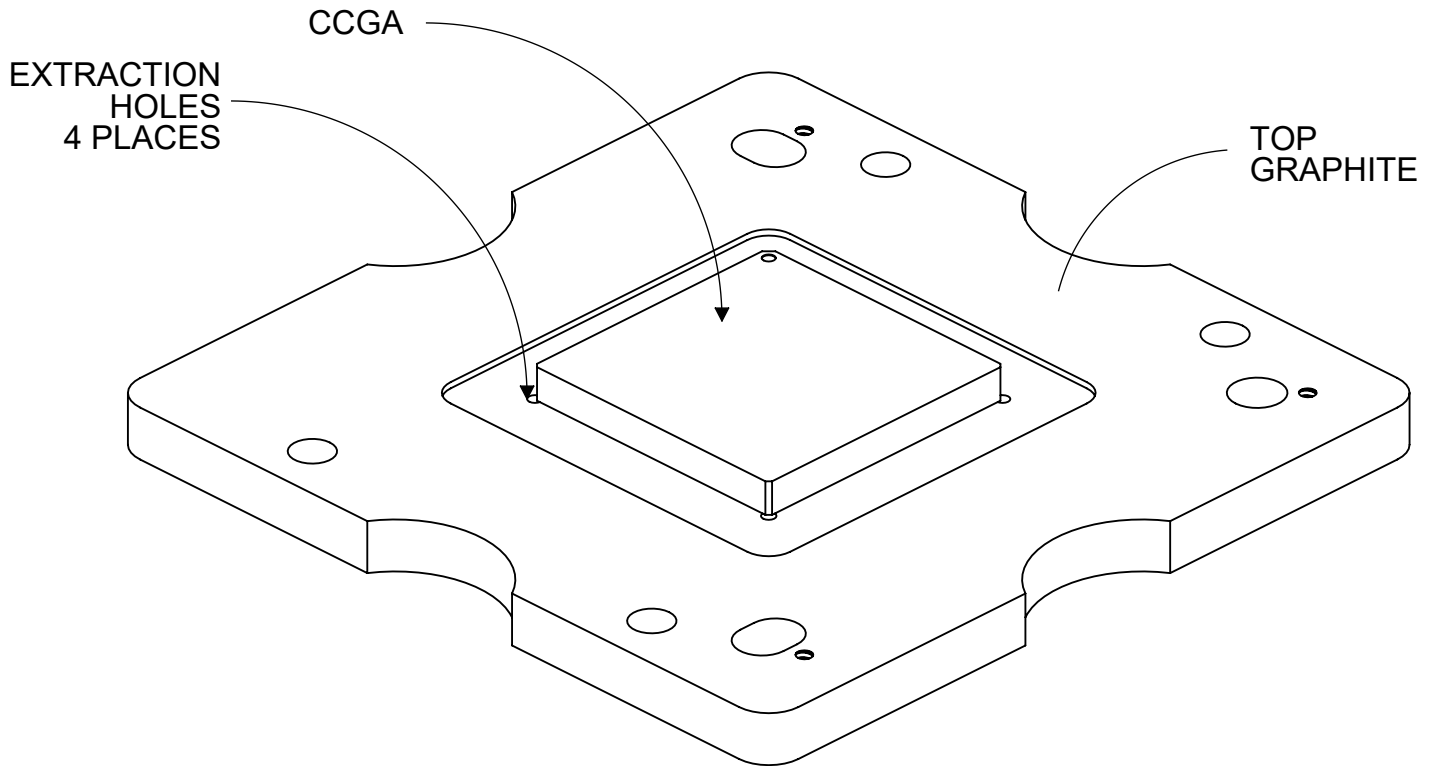
STEP 4 INVERT (FLIP OVER) TOP GRAPHITE



NOTE:
1) POSITION TOP GRAPHITE WITH CCGA AS SHOWN.
2) FLUX MUST BE CLEANED BEFORE CCGA IS REMOVED.

TopLine[®]			
TITLE		CCGA EXTRACTION FROM GRAPHITE	
SCALE	SIZE	DRAWING NO.	REV
3:1	A	001991	A
DO NOT SCALE DRAWING			SHEET 6 OF 12

STEP 5 DE-FLUX (CLEAN FLUX)

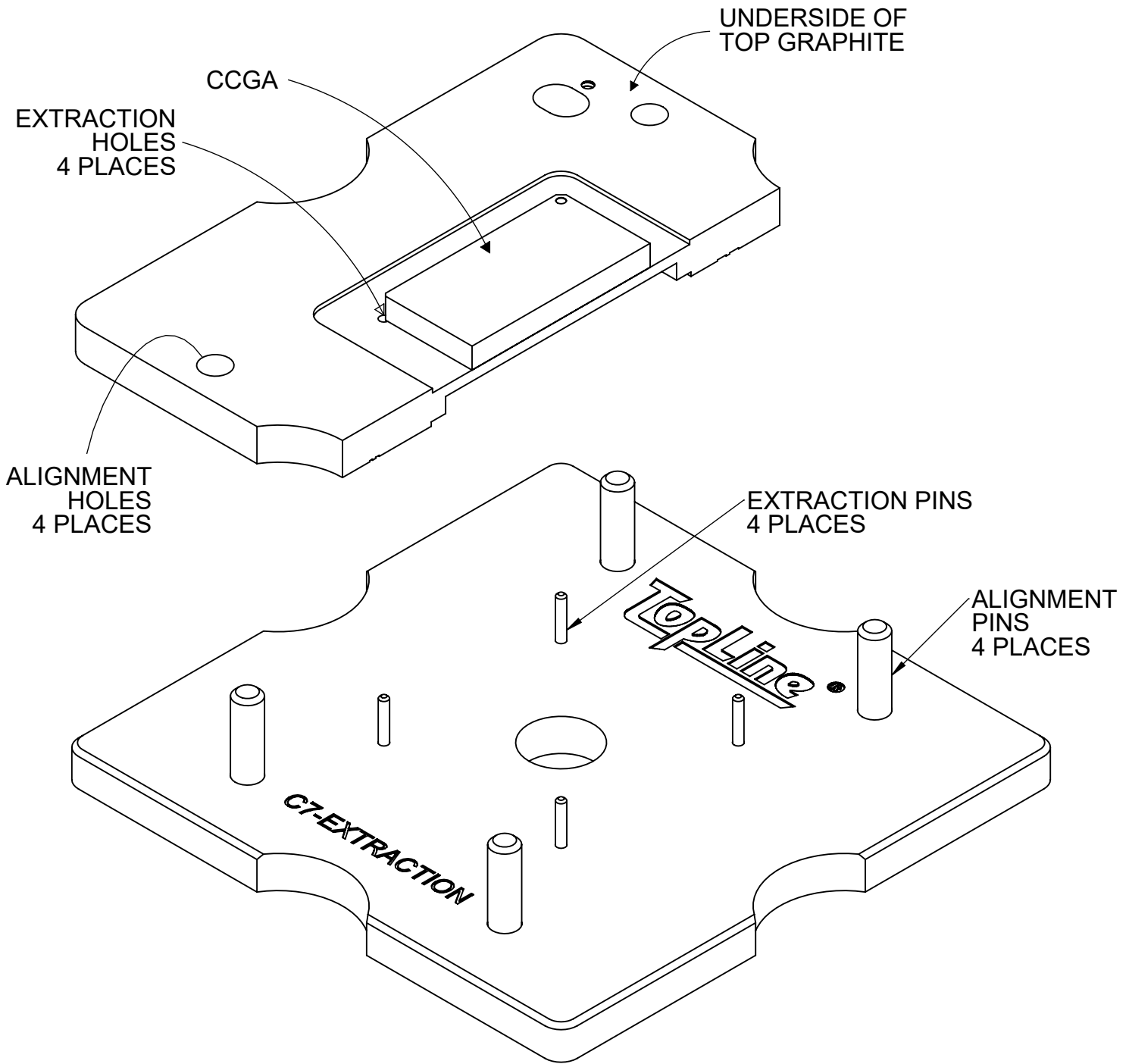


**USE STANDARD INDUSTRY
METHODS TO REMOVE
ENTRAPPED FLUX
BEFORE EXTRACTING
THE CCGA FROM TOP GRAPHITE**

NOTES:
1. DE-FLUX BEFORE REMOVING CCGA FROM GRAPHITE.

TopLine®			
TITLE		CCGA EXTRACTION FROM GRAPHITE	
SCALE	SIZE	DRAWING NO.	REV
3:1	A	001991	A
DO NOT SCALE DRAWING			SHEET 7 OF 12

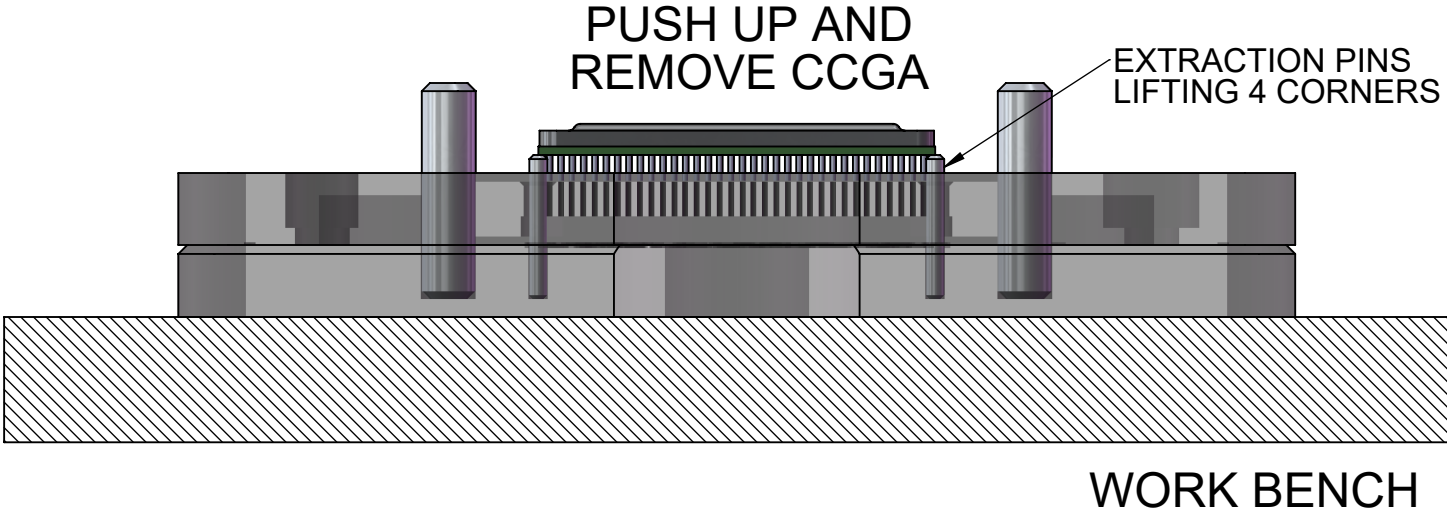
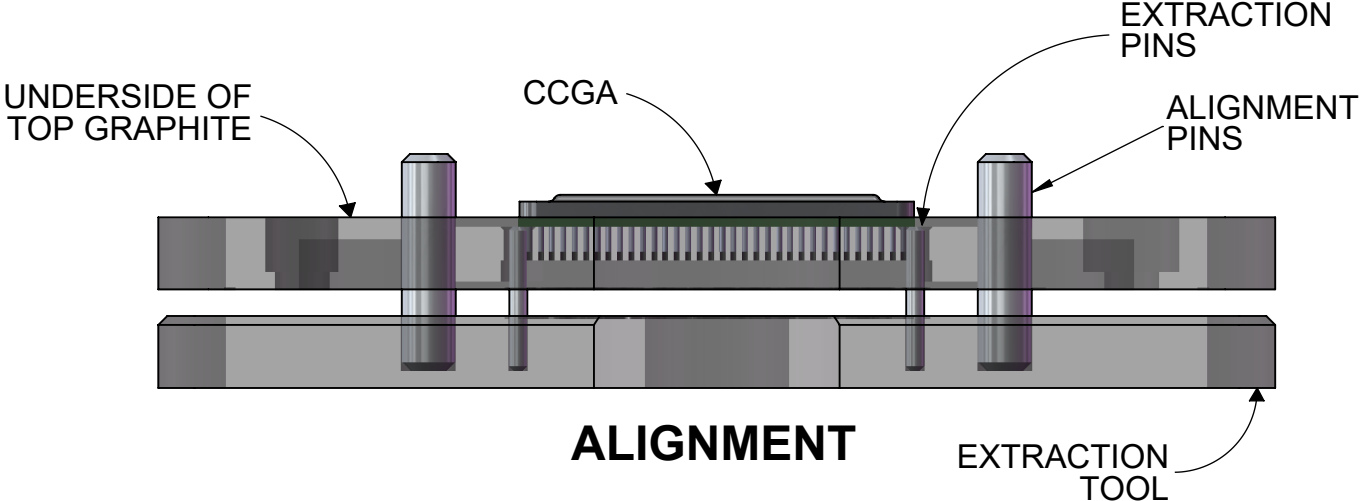
STEP 6 PREPARE EXTRACTION TOOL



NOTES:
1) PLACE ALIGNMENT PEGS AND EXTRACTION PEGS INTO EXTRACTION TOOL.

TopLine®			
TITLE		CCGA EXTRACTION FROM GRAPHITE	
SCALE	SIZE	DRAWING NO.	REV
1.25:1	A	001991	AA
DO NOT SCALE DRAWING			SHEET 8 OF 12

STEP 7 ALIGN GRAPHITE OVER EXTRACTION TOOL

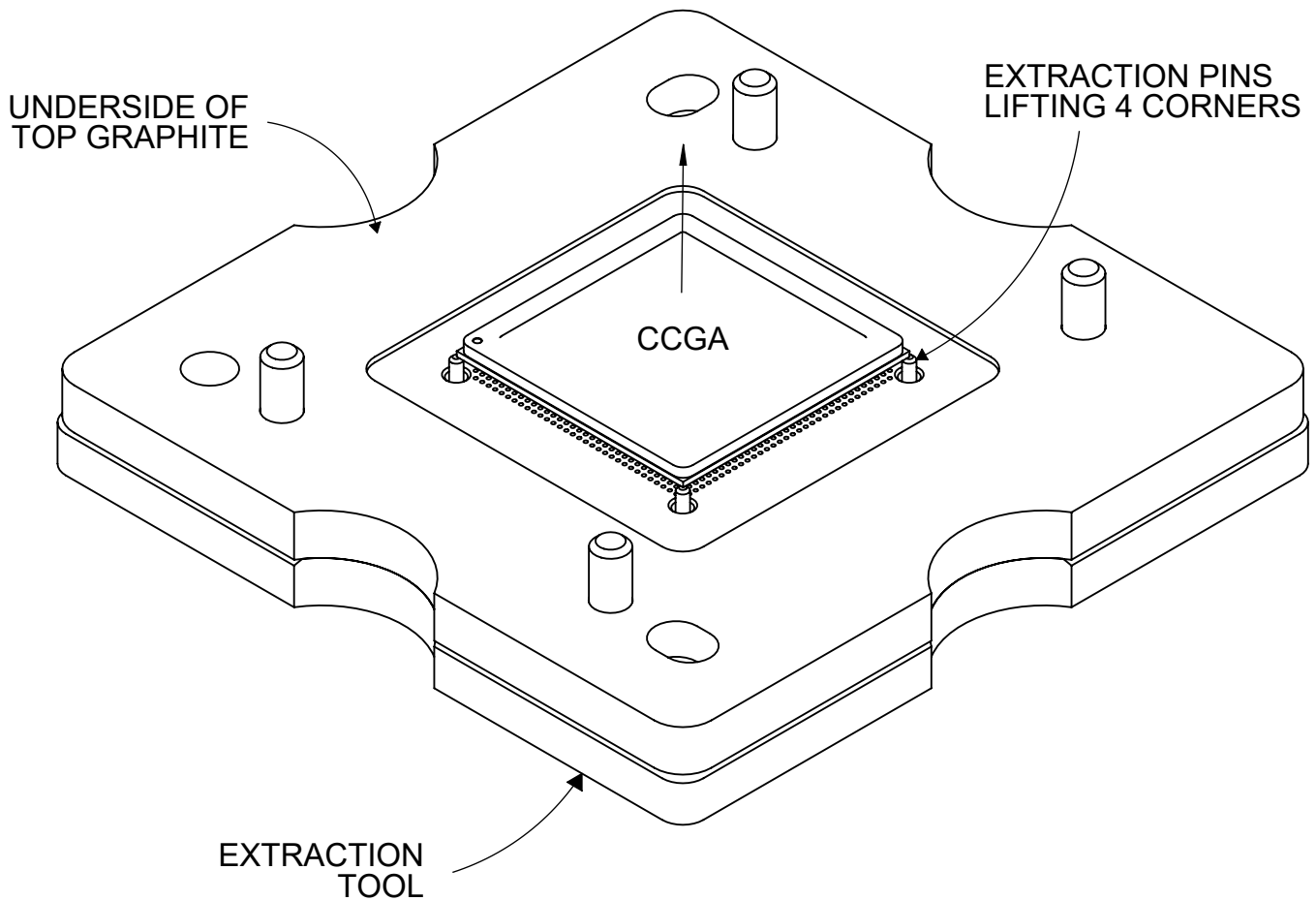


NOTES:

- 1) GENTLY ALIGN THE GRAPHITE OVER THE PINS.
- 2) IF CCGA DOES NOT LIFT, THEN CONTINUE TO CLEAN FLUX RESIDUE TAPPED AROUND THE COLUMNS IN THE GRAPHITE.

TopLine®			
TITLE		CCGA EXTRACTION FROM GRAPHITE	
SCALE	SIZE	DRAWING NO.	REV
1.25:1	A	001991	A
DO NOT SCALE DRAWING			SHEET 9 OF 12

STEP 8 PUSH UP CCGA

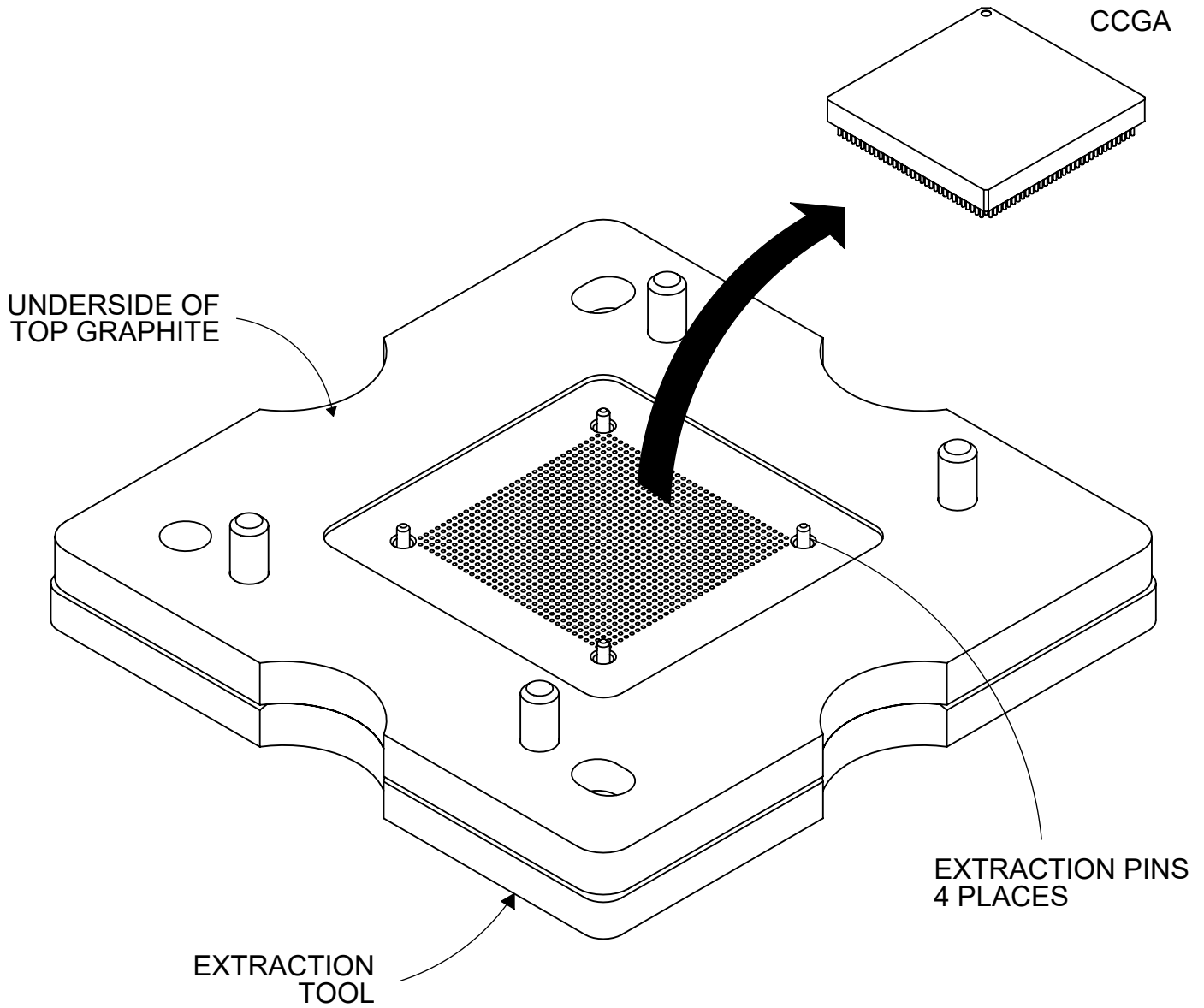


NOTES:

- 1) GENTLY ALIGN THE GRAPHITE OVER THE PEGS IN THE EXTRACTION TOOL.
- 2) IF CCGA DOES NOT LIFT, THEN CONTINUE TO CLEAN FLUX RESIDUE TAPPED AROUND THE COLUMNS IN THE GRAPHITE.

TopLine [®]			
TITLE		CCGA EXTRACTION FROM GRAPHITE	
SCALE	SIZE	DRAWING NO.	REV
1.25:1	A	001991	A
DO NOT SCALE DRAWING			SHEET 10 OF 12

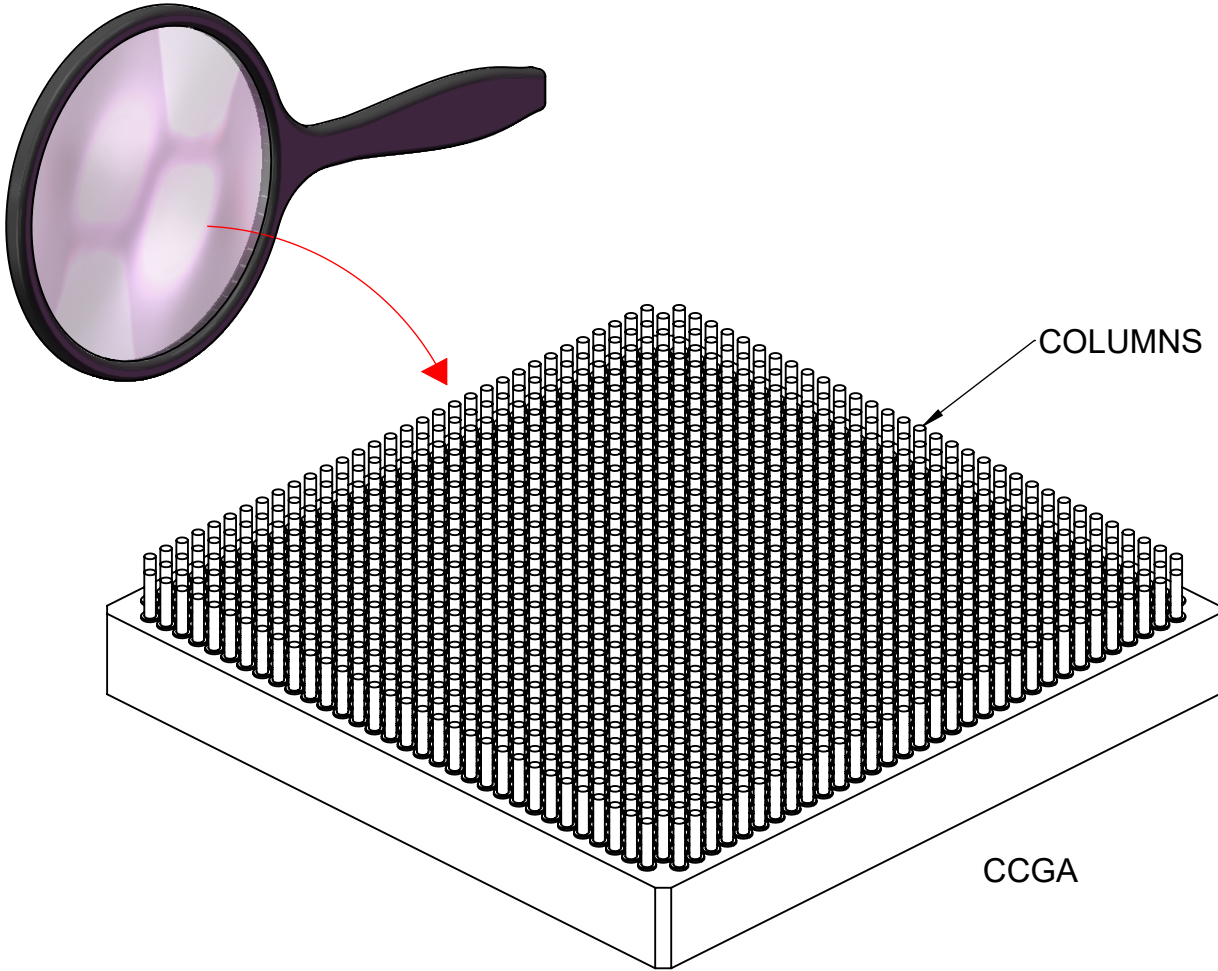
STEP 9 REMOVE CCGA



NOTES:
1) GENTLY LIFT CCGA FROM TOP GRAPHITE.

TopLine®			
TITLE		CCGA EXTRACTION FROM GRAPHITE	
SCALE	SIZE	DRAWING NO.	REV
1.25:1	A	001991	A
DO NOT SCALE DRAWING			SHEET 11 OF 12

STEP 10 INSPECT CCGA



- NOTES:
1) COLUMNS TO BE STRAIGHT AND FREE OF DEBRIS.
2) PLACE CCGA IN SECURE TRAY TO PROTECT COLUMNS.

TopLine®			
TITLE		CCGA EXTRACTION FROM GRAPHITE	
SCALE	SIZE	DRAWING NO.	REV
3:1	A	001991	A
DO NOT SCALE DRAWING			SHEET 12 OF 12