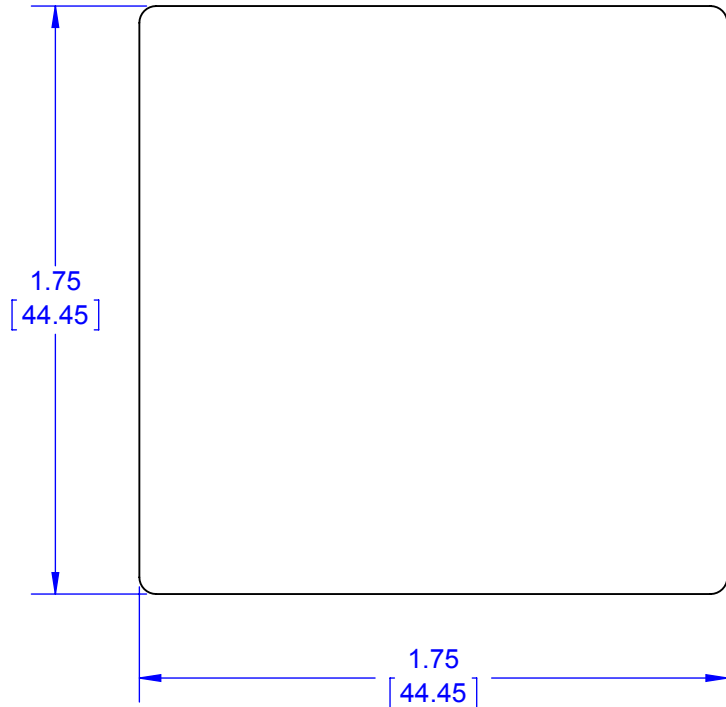
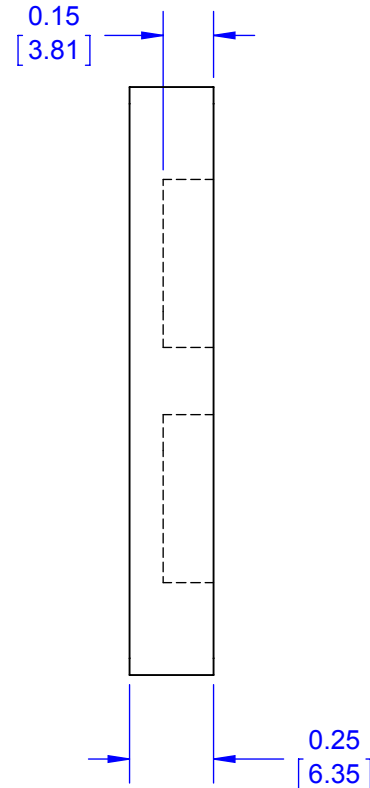


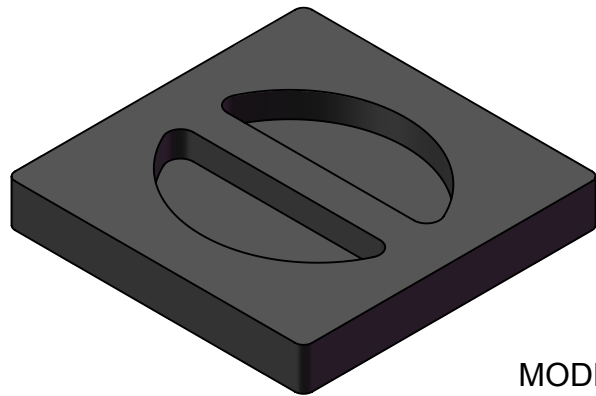
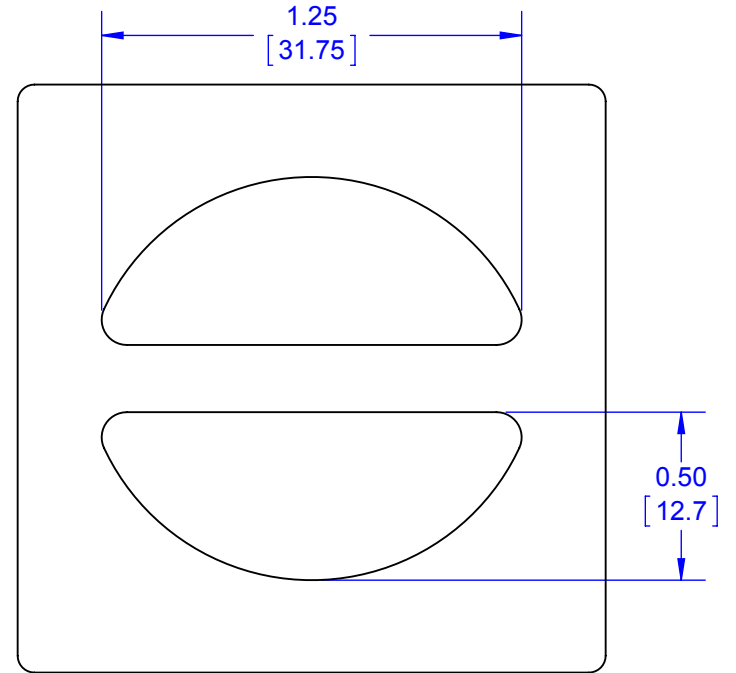
### BOTTOM VIEW



### SIDE VIEW



### TOP VIEW



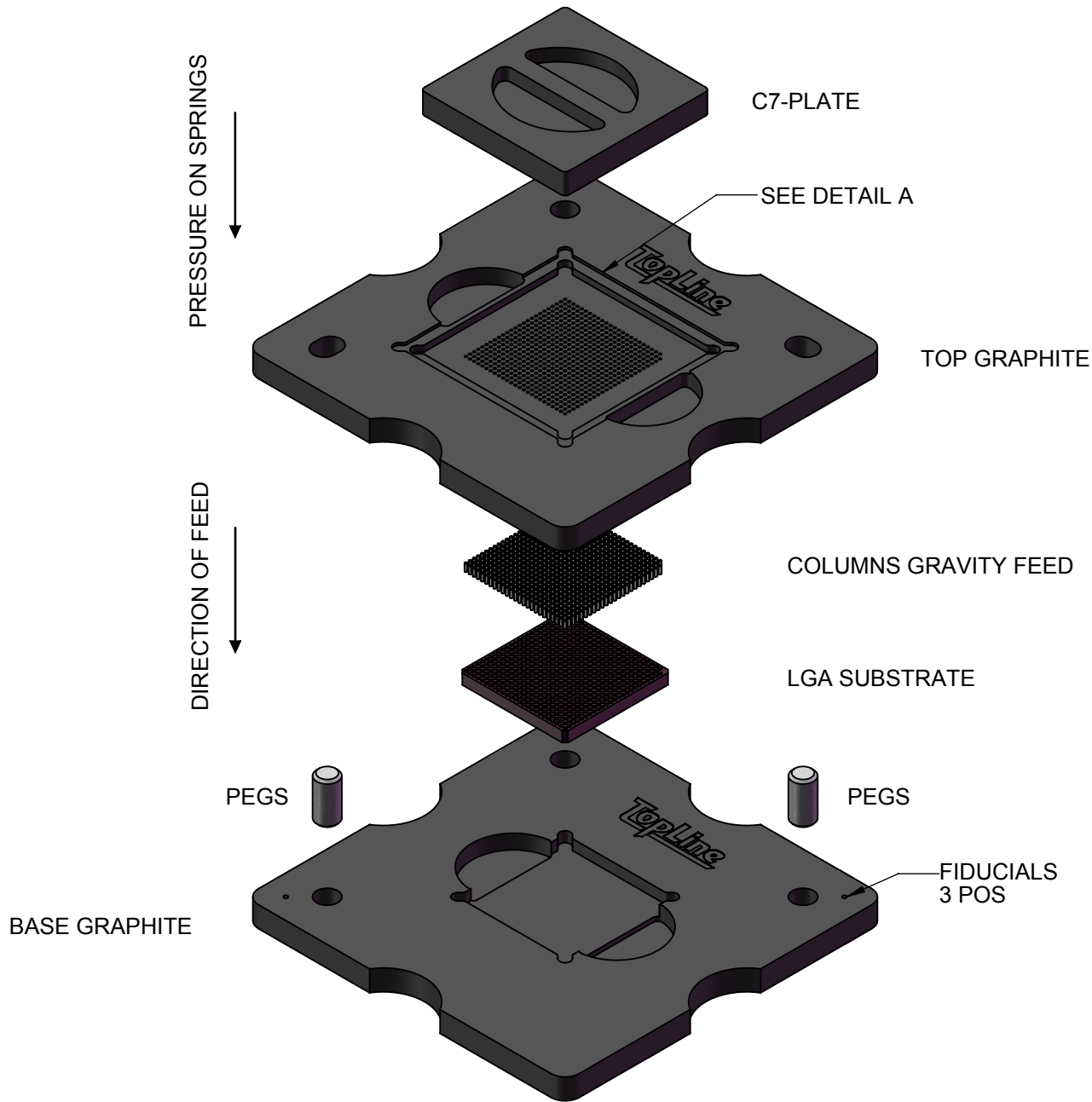
MODEL

#### NOTES:

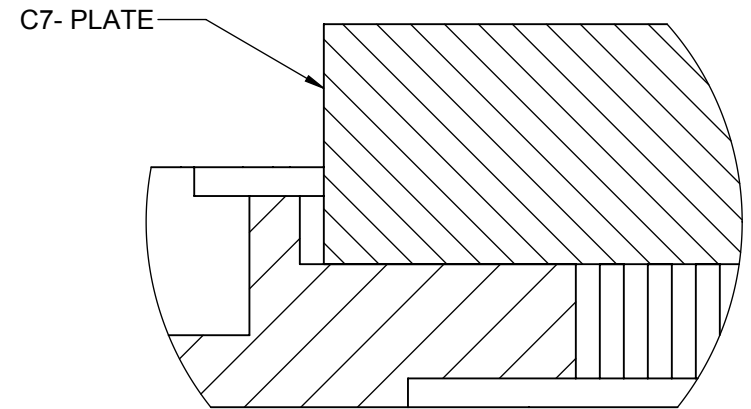
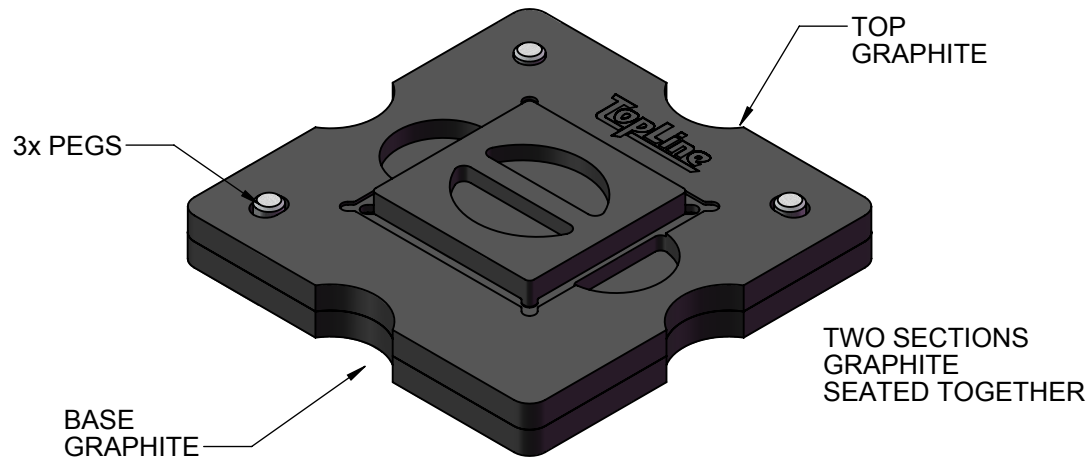
1. DIMENSIONS INCHES [mm].
2. MATERIAL: GRAPHITE.
3. OMNI-DIRECTIONAL.
4. APPLICATION: APPLIES PRESSURE TO MICRO-COIL SPRINGS AFTER LOADING IN C7-GRAPHITE STRUCTURE.

APPROVALS	DATE	<b>TopLine®</b>			
DRAWN T.Au	12/23/14				
ENG M. Hart	12/23/14	TITLE C7-PLATE B GRAPHITE WEIGHT FOR COLUMNS			
MFG		SCALE	SIZE	DRAWING NO.	REV
QA		1.75:1	A	700175	A
CUST		DO NOT SCALE DRAWING			SHEET 1 OF 3
REVISED					

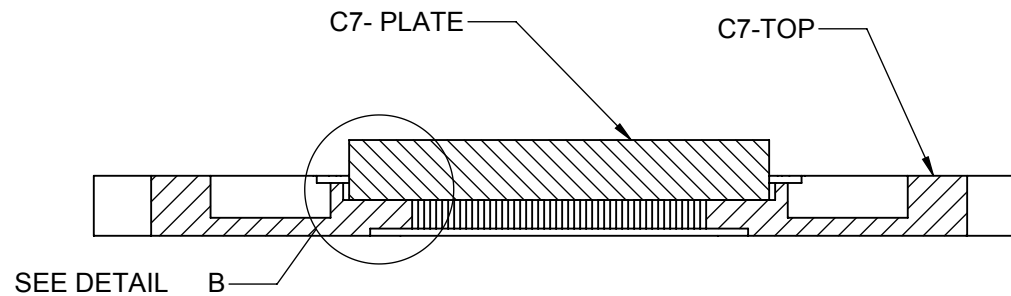
# EXPLODED VIEW



<b>TopLine<sup>®</sup></b>			
TITLE C7-PLATE B GRAPHITE WEIGHT FOR COLUMNS			
SCALE 1:1.25	SIZE A	DRAWING NO. 700175	REV A
DO NOT SCALE DRAWING			SHEET 2 OF 3



DETAIL B  
SCALE 5 : 1



NOTES:  
1. COLUMNS NOT SHOWN FOR CLARITY.

<b>TopLine®</b>			
TITLE C7-PLATE B GRAPHITE WEIGHT FOR COLUMNS			
SCALE 1.25:1	SIZE A	DRAWING NO. 700175	REV A
DO NOT SCALE DRAWING			SHEET 3 OF 3