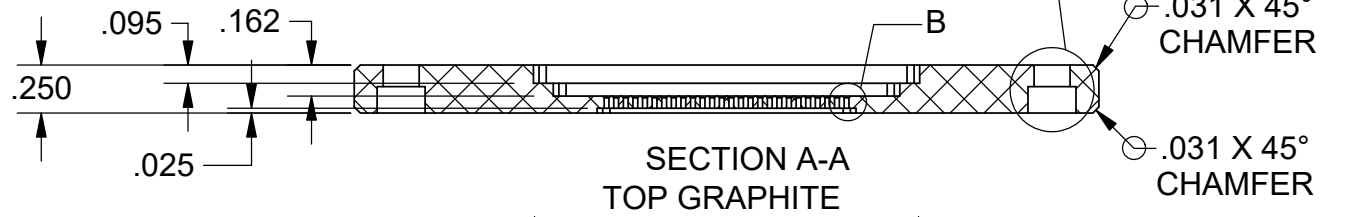
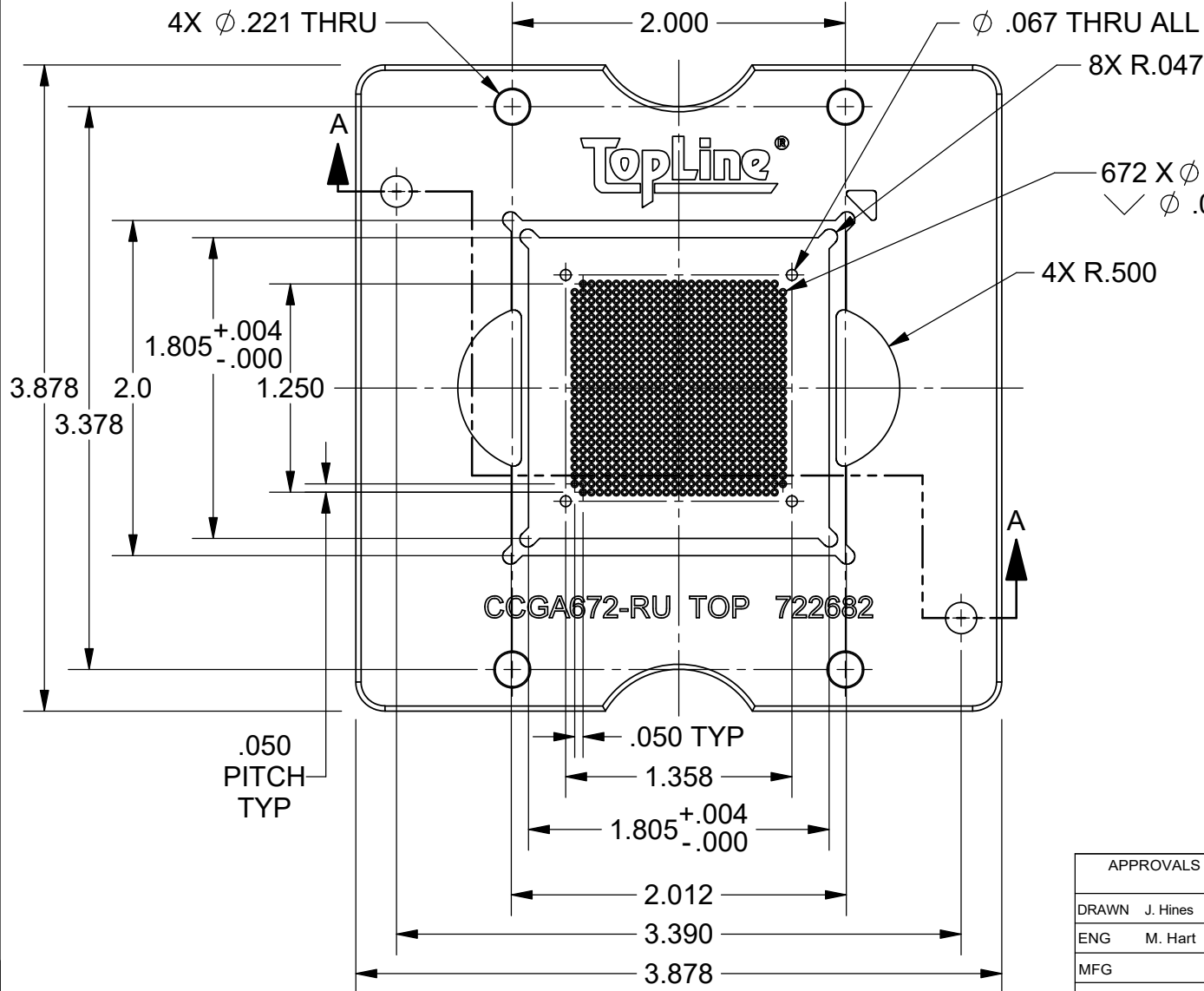


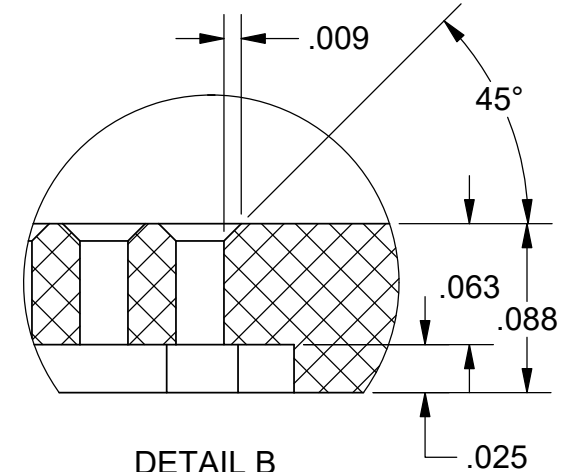
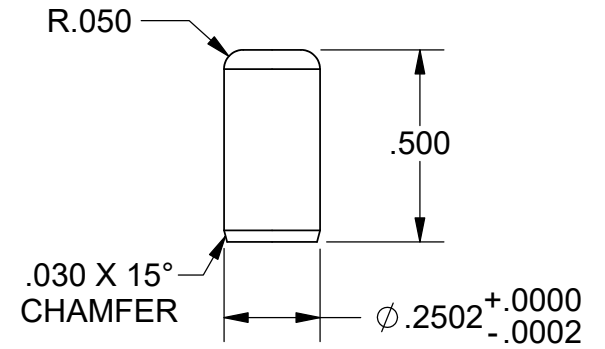
SIDE VIEW



SECTION A-A
TOP GRAPHITE




ALIGNMENT PIN DETAIL
SCALE = 2:1



DETAIL B
SCALE 10:1

NOTES: (UNLESS OTHERWISE SPECIFIED).
1) DIMENSIONS: INCH [MM].

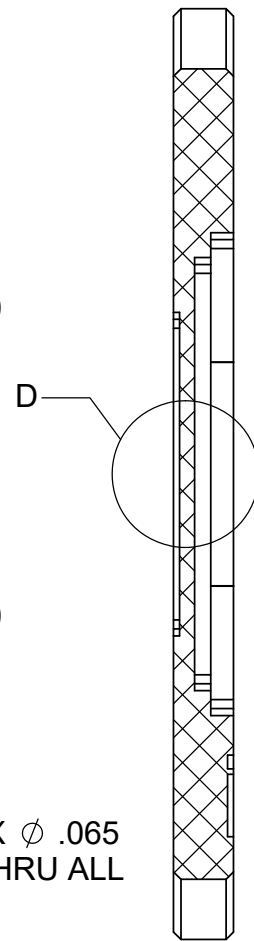
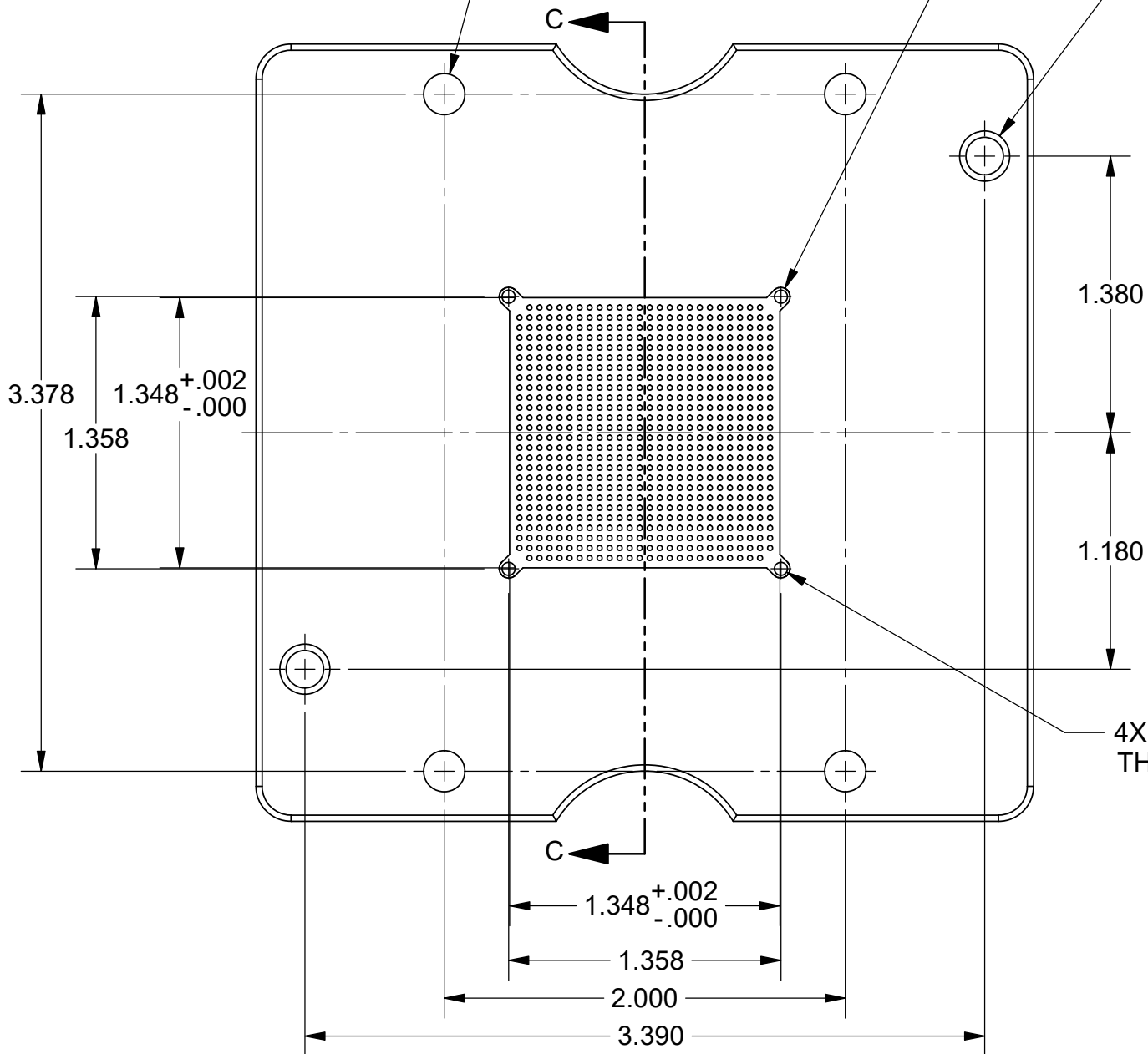
APPROVALS		DATE				
DRAWN	J. Hines	6/10/2017	TITLE C7-GRAPHITE-672-RU GRAPHITE TOOL			
ENG	M. Hart	6/10/2017				
MFG			SCALE 1:1	SIZE A	DRAWING NO. 722682	REV A
QA						
CUST			DO NOT SCALE DRAWING		SHEET 1 OF 14	
REVISED						

BOTTOM VIEW
TOP GRAPHITE

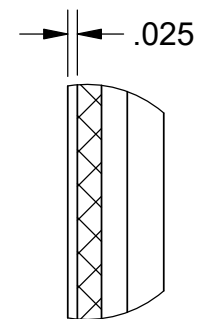
4X ϕ .206 THRU ALL
 \surd ϕ .221 X 90°, NEAR SIDE

4X R.05

2X ϕ .188 THRU ALL
 \sqsubset ϕ .2503^{+.0002}_{-.0000} ∇ .138



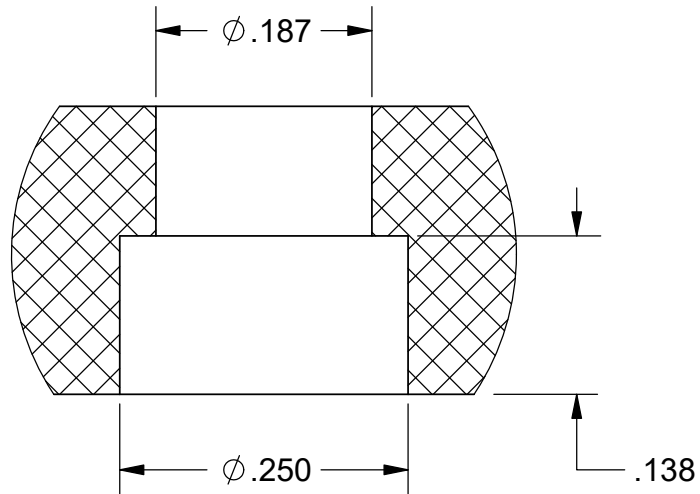
SECTION C-C



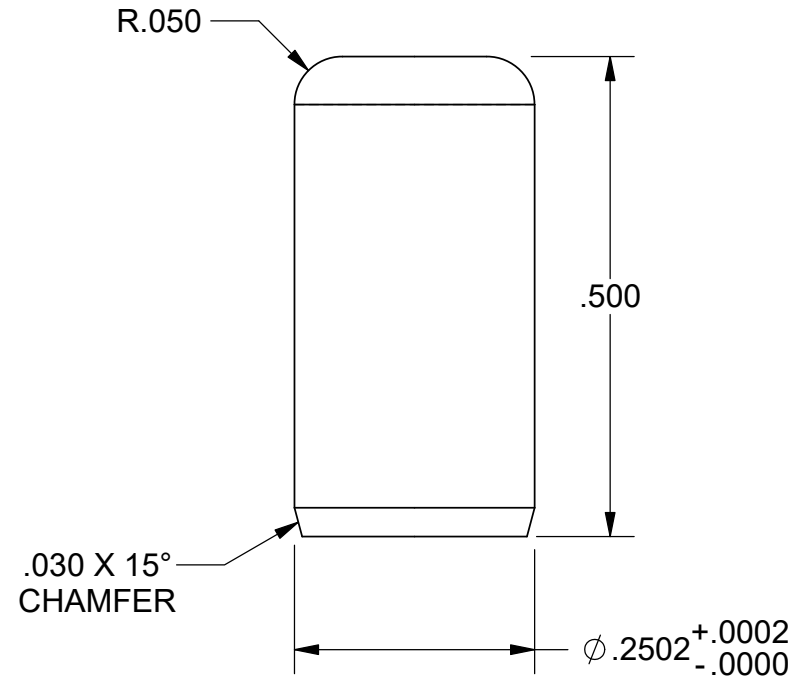
DETAIL D
SCALE 2 : 1

TopLine [®]			
TITLE C7-GRAPHITE-672-RU GRAPHITE TOOL			
SCALE 1.25:1	SIZE A	DRAWING NO. 722682	REV A
DO NOT SCALE DRAWING			SHEET 2 OF 14

ALIGNMENT PIN
DWG 70256X

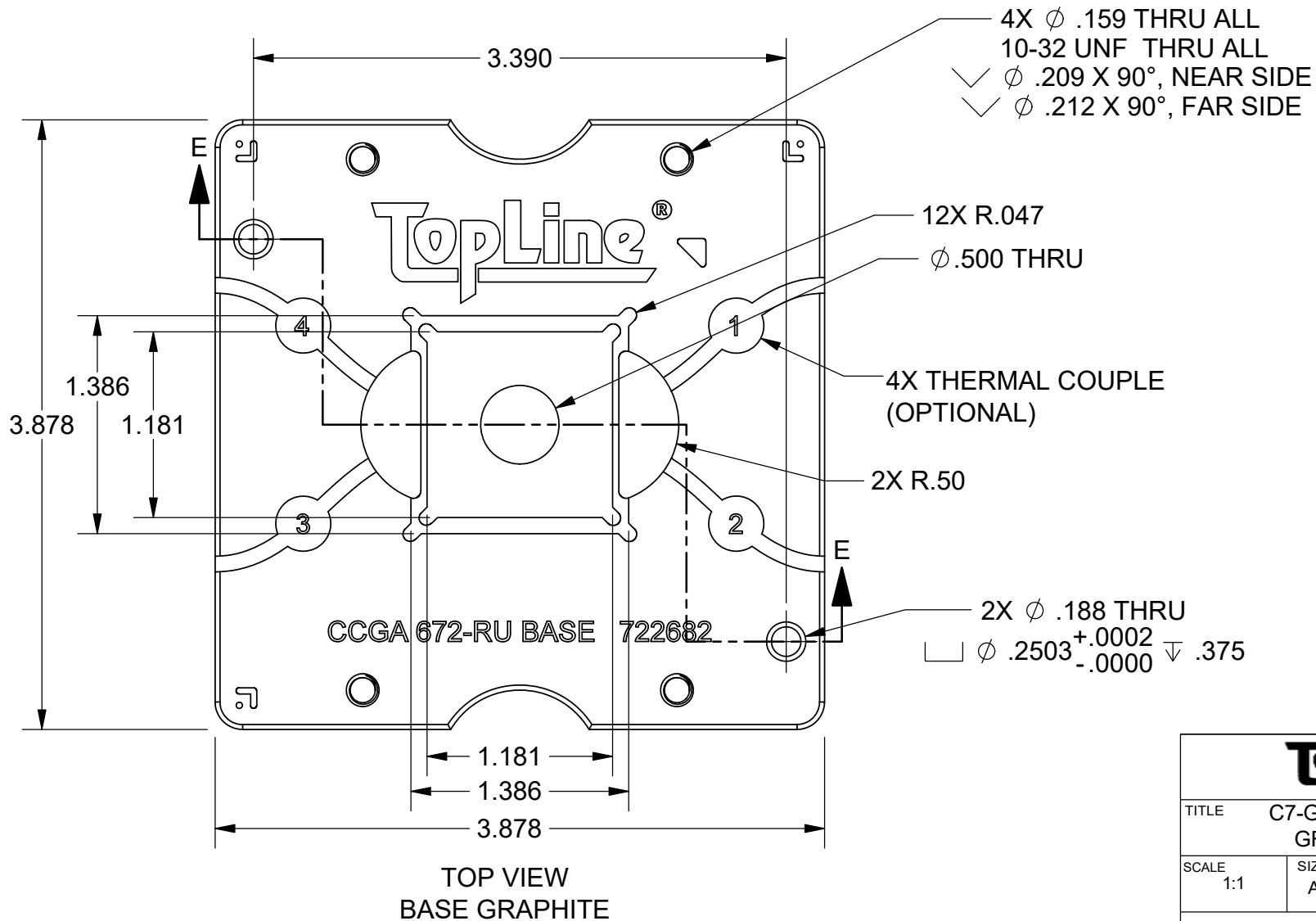
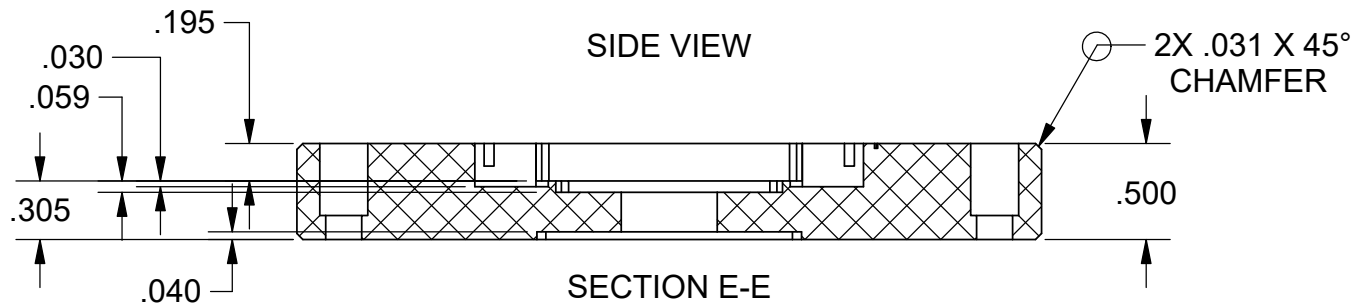


DETAIL P
SEE SHEET 1



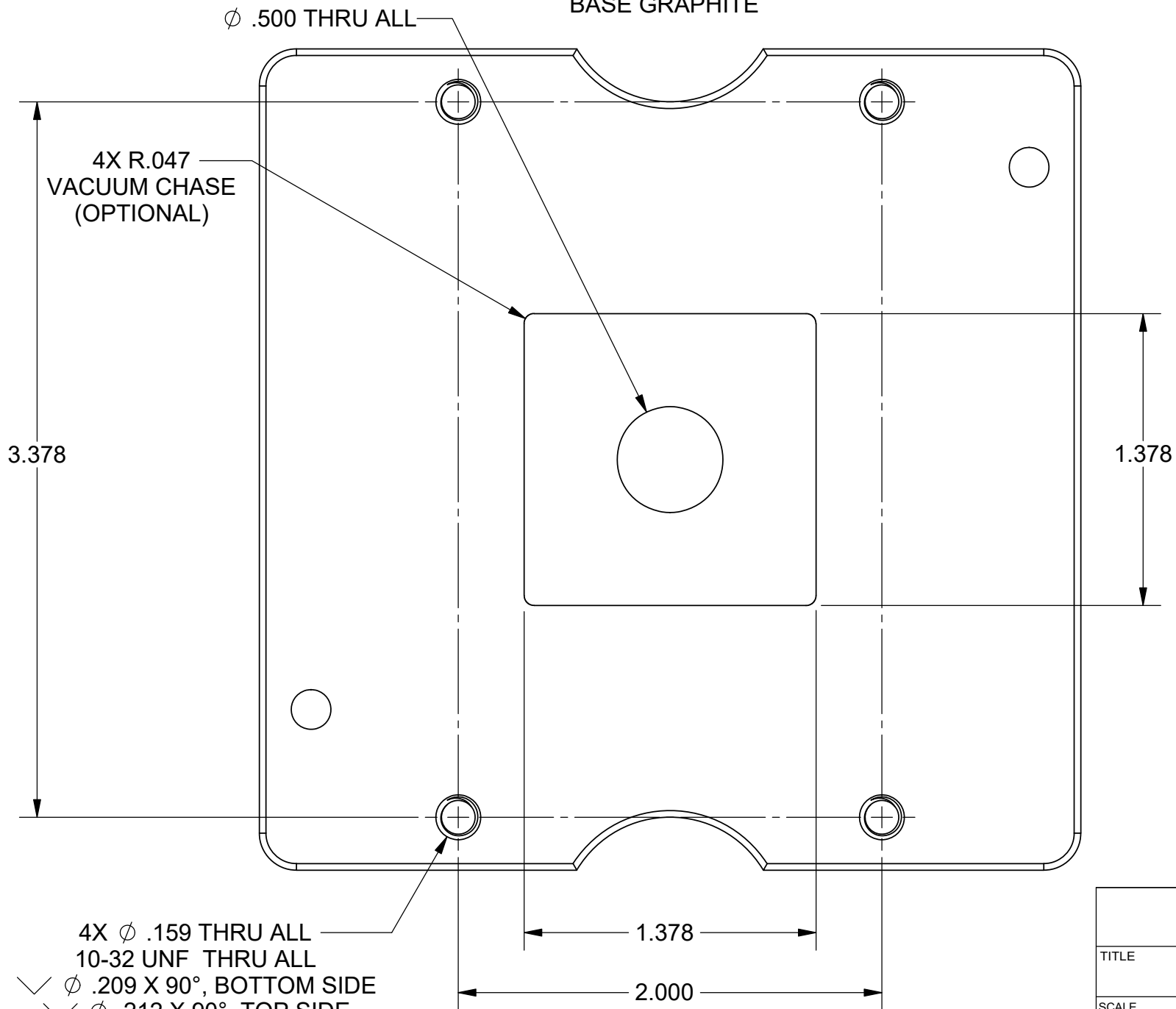
NOTES: (UNLESS OTHERWISE SPECIFIED).
1) DIMENSIONS: MM [INCH].

TopLine [®]			
TITLE C7-GRAPHITE-672-RU GRAPHITE TOOL			
SCALE 6:1	SIZE A	DRAWING NO. 722682	REV A
DO NOT SCALE DRAWING			SHEET 3 OF 14



TopLine®			
TITLE C7-GRAPHITE-672-RU GRAPHITE TOOL			
SCALE 1:1	SIZE A	DRAWING NO. 722682	REV A
DO NOT SCALE DRAWING		SHEET 4 OF 14	

BOTTOM VIEW
BASE GRAPHITE



TopLine[®]

TITLE			
C7-GRAPHITE-672-RU GRAPHITE TOOL			
SCALE	SIZE	DRAWING NO.	REV
1.5:1	A	722682	A
DO NOT SCALE DRAWING			SHEET 5 OF 14

4X ϕ .159 THRU ALL
10-32 UNF THRU ALL

✓ ϕ .209 X 90°, BOTTOM SIDE
✓ ϕ .212 X 90°, TOP SIDE

ϕ .500 THRU ALL

4X R.047
VACUUM CHASE
(OPTIONAL)

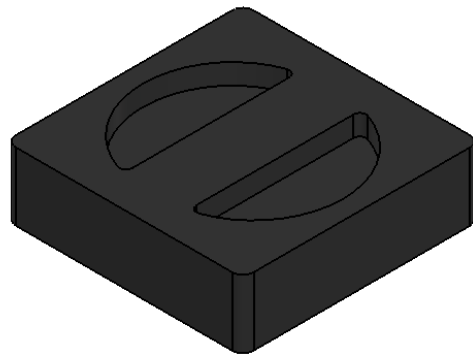
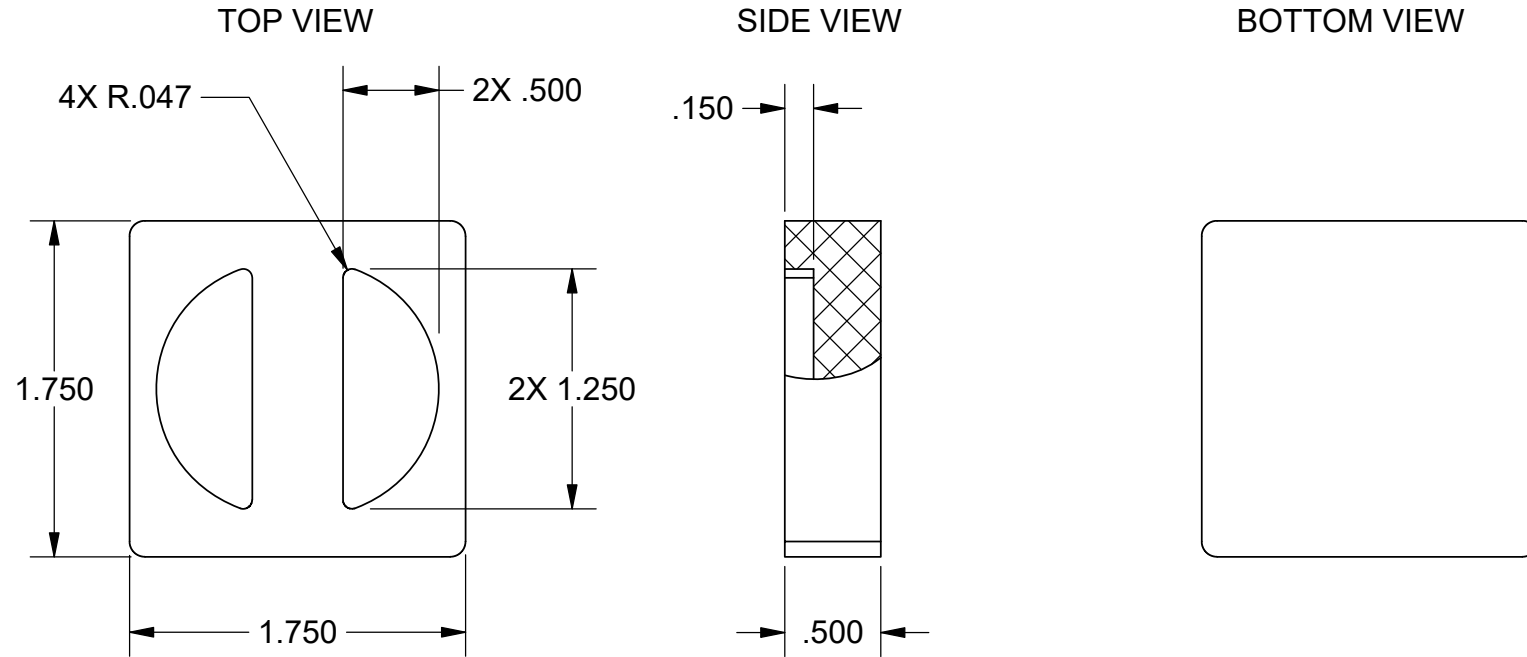
3.378

1.378

1.378

2.000

GRAPHITE CAP
700150

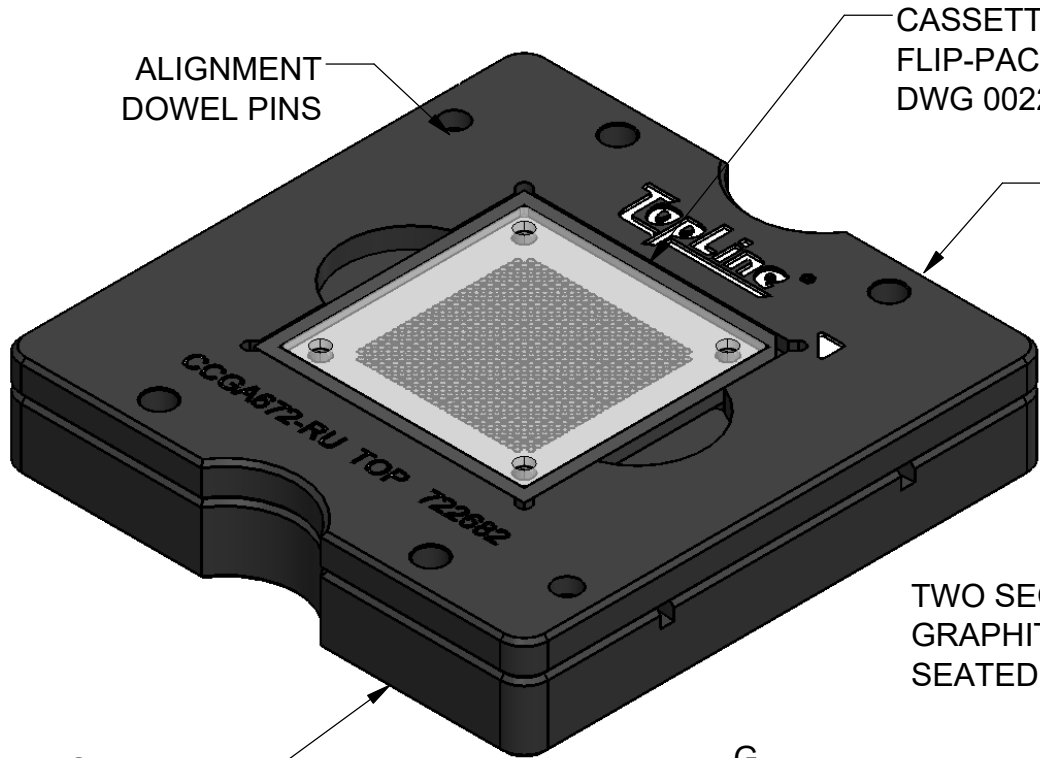


MODEL
DWG 700150

NOTES: (UNLESS OTHERWISE SPECIFIED).

- 1) DIMENSIONS: MM.
- 2) MATERIAL: GRAPHITE.
- 3) OMNI-DIRECTIONAL.
- 4) APPLICATION: APPLIES PRESSURE TO COLUMNS.

TopLine [®]			
TITLE		C7-GRAPHITE-672-RU GRAPHITE TOOL	
SCALE	SIZE	DRAWING NO.	REV
1:1	A	722682	A
DO NOT SCALE DRAWING			SHEET 6 OF 14

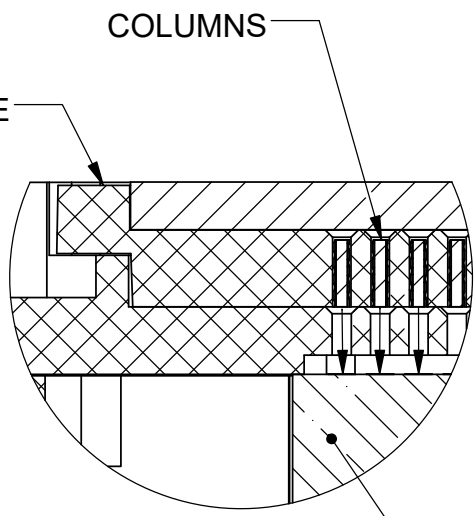


ALIGNMENT
DOWEL PINS

CASSETTE
FLIP-PACK®
DWG 002260

GRAPHITE
TOP

GRAPHITE
BASE



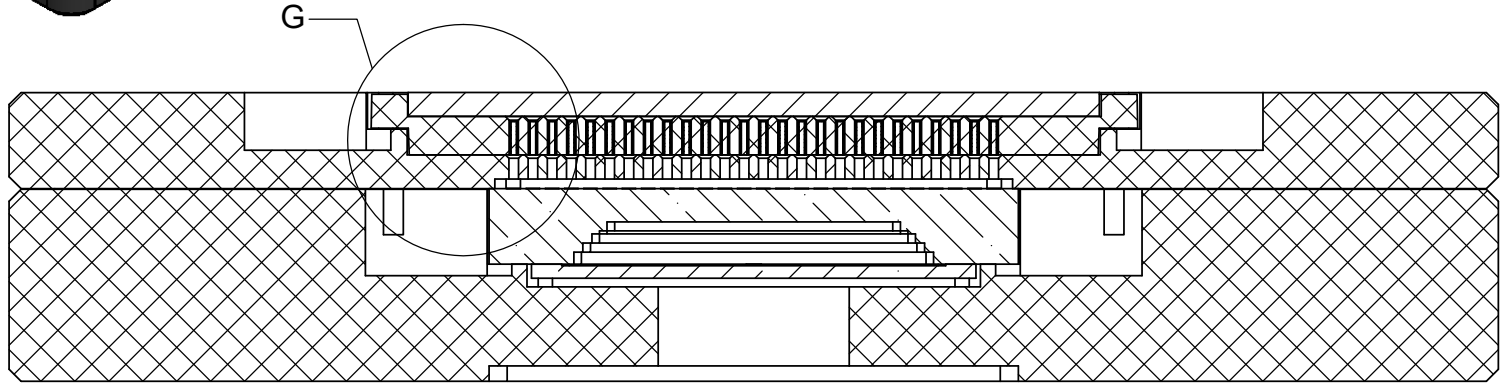
COLUMNS

CASSETTE

CCGA

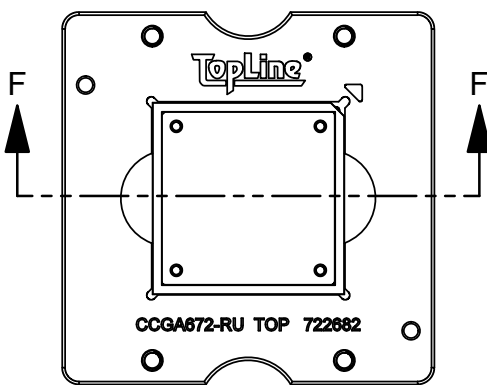
TWO SECTIONS
GRAPHITE
SEATED TOGETHER

DETAIL G
SCALE 4 : 1



G

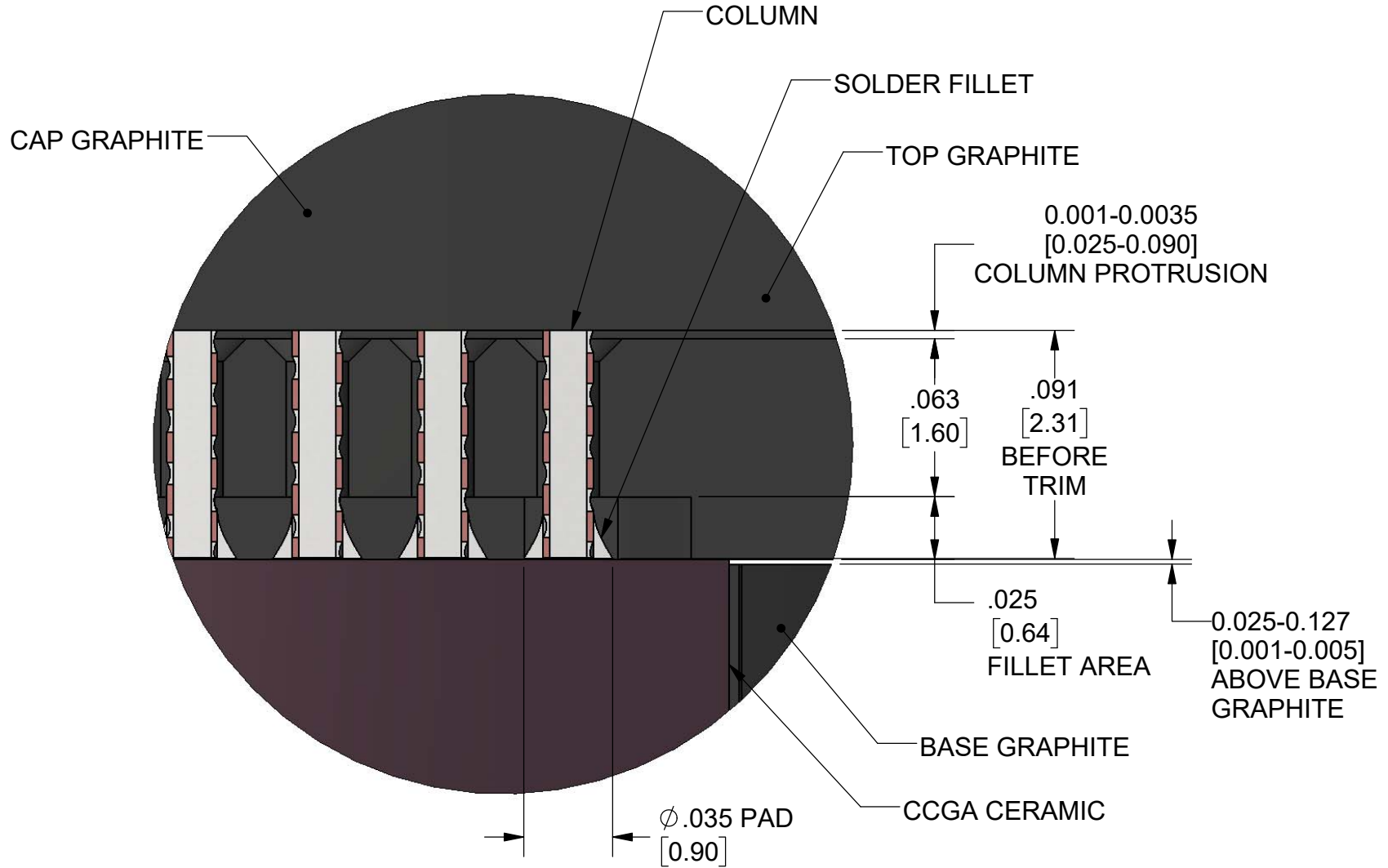
SECTION F-F
SCALE 2 : 1



SCALE= 1:2

TopLine®			
TITLE C7-GRAPHITE-672-RU GRAPHITE TOOL			
SCALE 1:1	SIZE A	DRAWING NO. 722682	REV A
DO NOT SCALE DRAWING			SHEET 7 OF 14

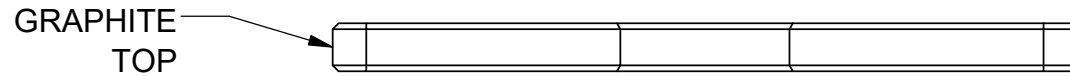
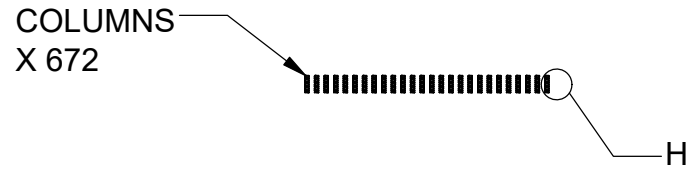
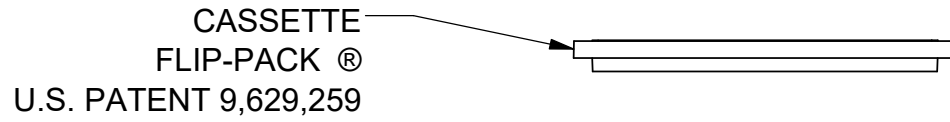
STACK-UP DIAGRAM



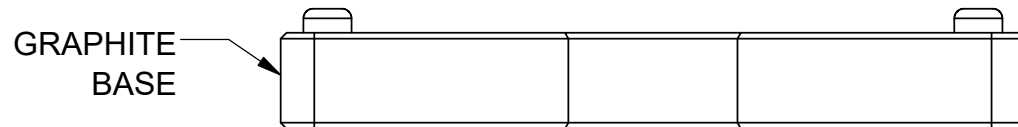
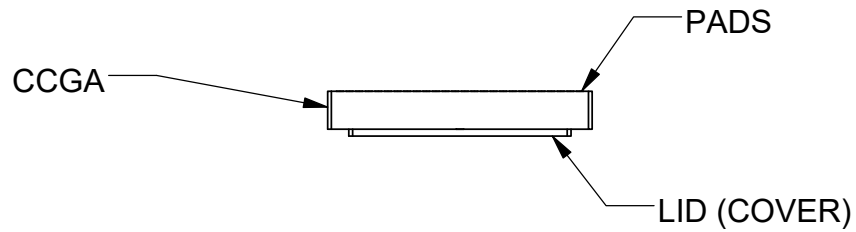
DETAIL Q
SEE SHEET 11

TopLine [®]			
TITLE C7-GRAPHITE-672-RU GRAPHITE TOOL			
SCALE 16:1	SIZE A	DRAWING NO. 722682	REV A
DO NOT SCALE DRAWING			SHEET 8 OF 14

EXPLODED SIDE VIEW

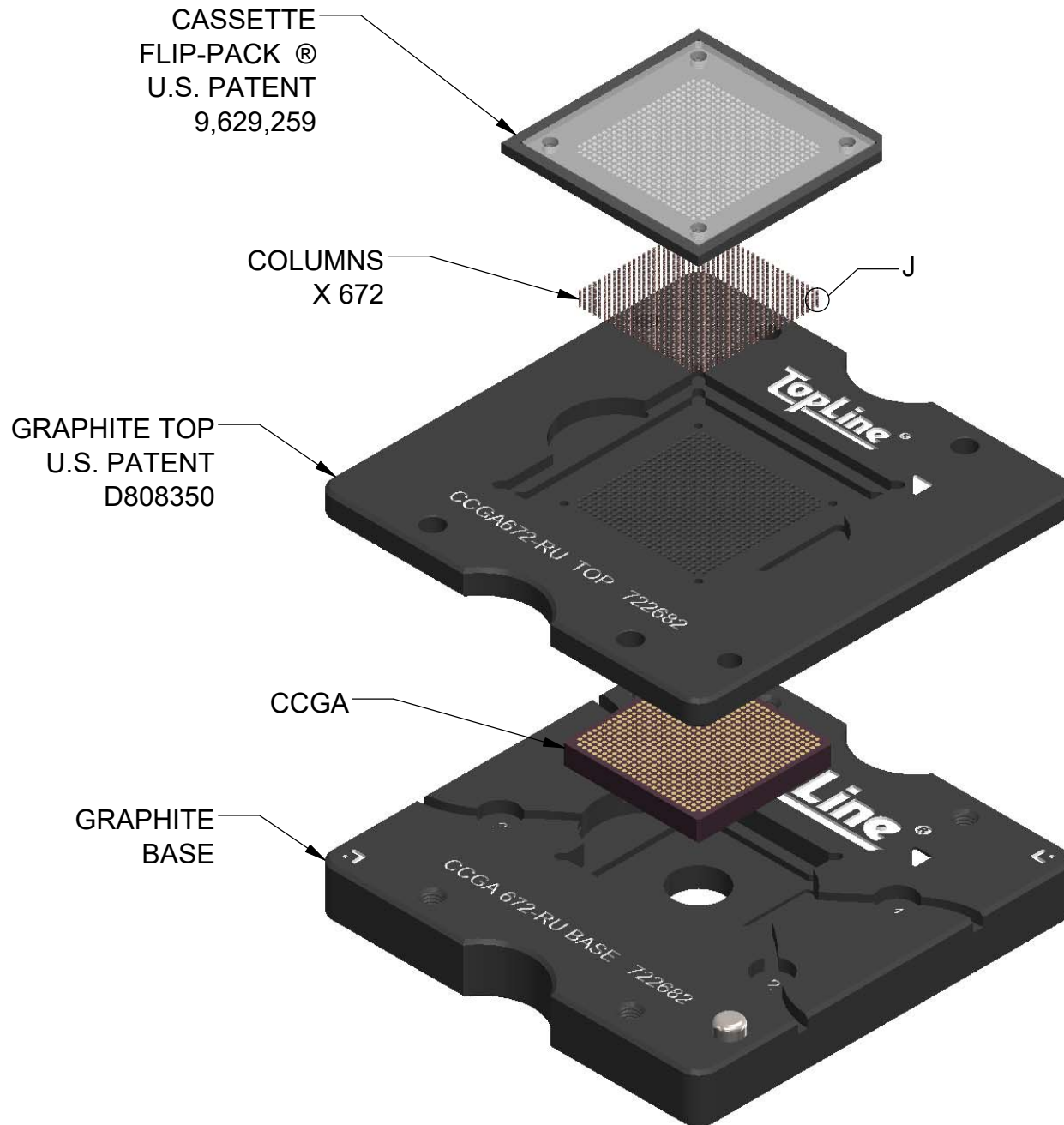


DETAIL H
SCALE 25 : 1



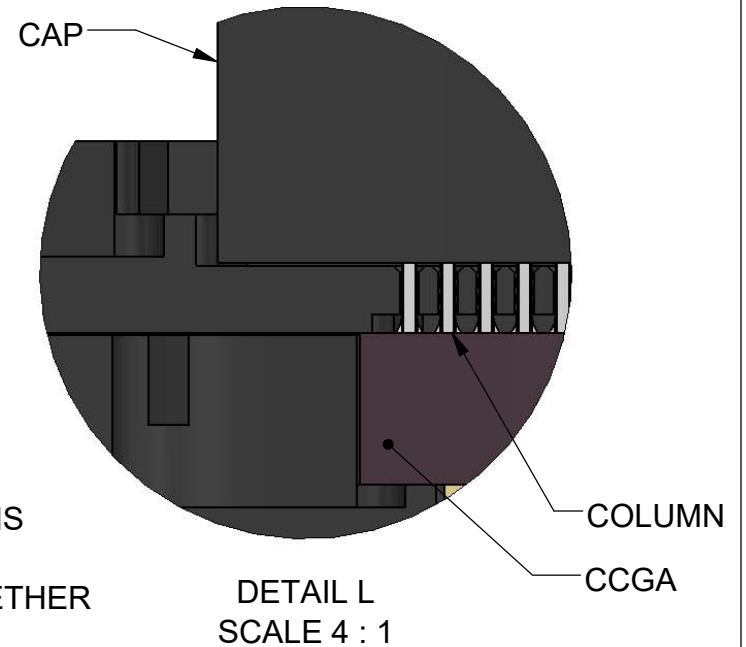
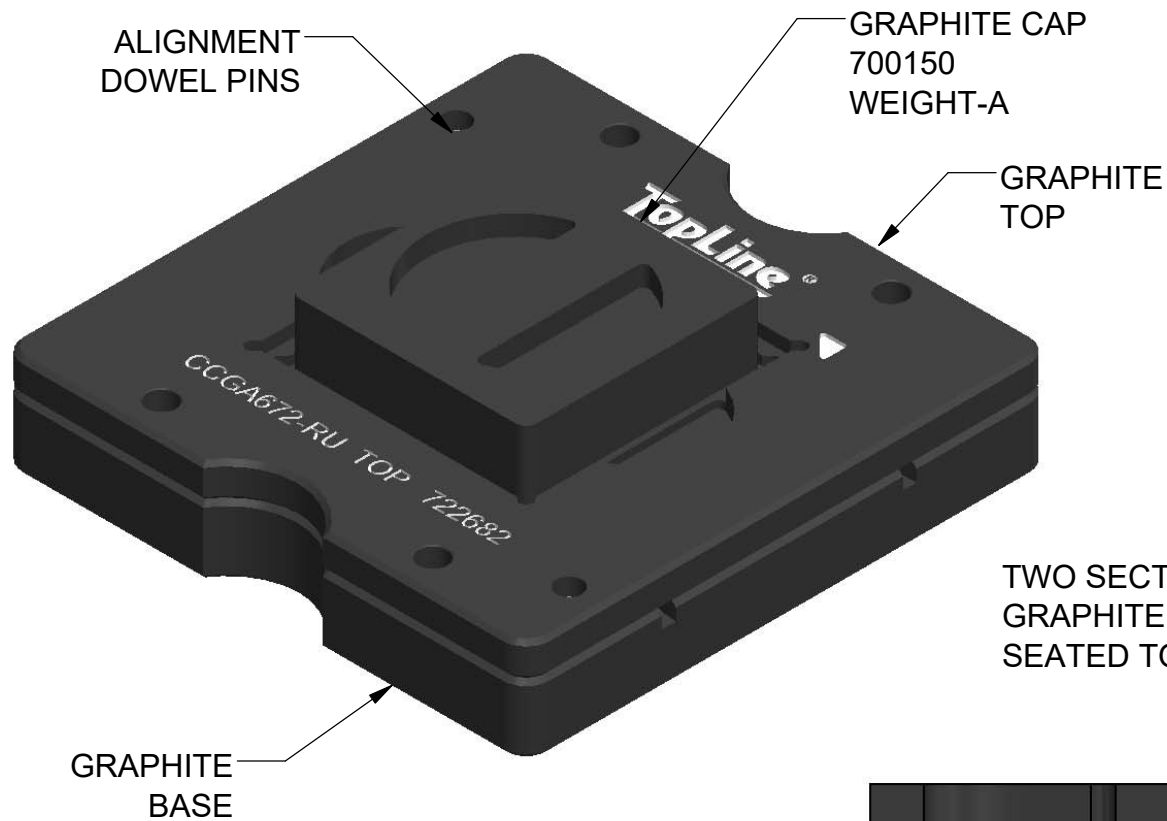
TopLine[®]			
TITLE C7-GRAPHITE-672-RU GRAPHITE TOOL			
SCALE 1:1	SIZE A	DRAWING NO. 722682	REV A
DO NOT SCALE DRAWING		SHEET 9 OF 14	

EXPLODED ISOMETRIC VIEW



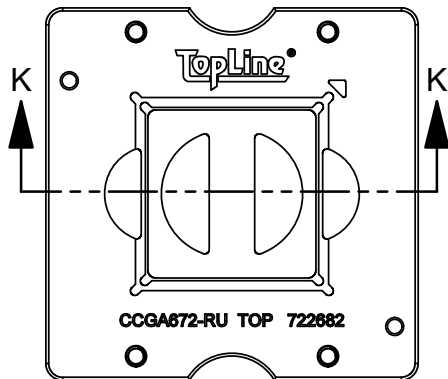
DETAIL J
SCALE 25 : 1

TopLine®			
TITLE C7-GRAPHITE-672-RU GRAPHITE TOOL			
SCALE 0.85:1	SIZE A	DRAWING NO. 722682	REV A
DO NOT SCALE DRAWING			SHEET 10 OF 14

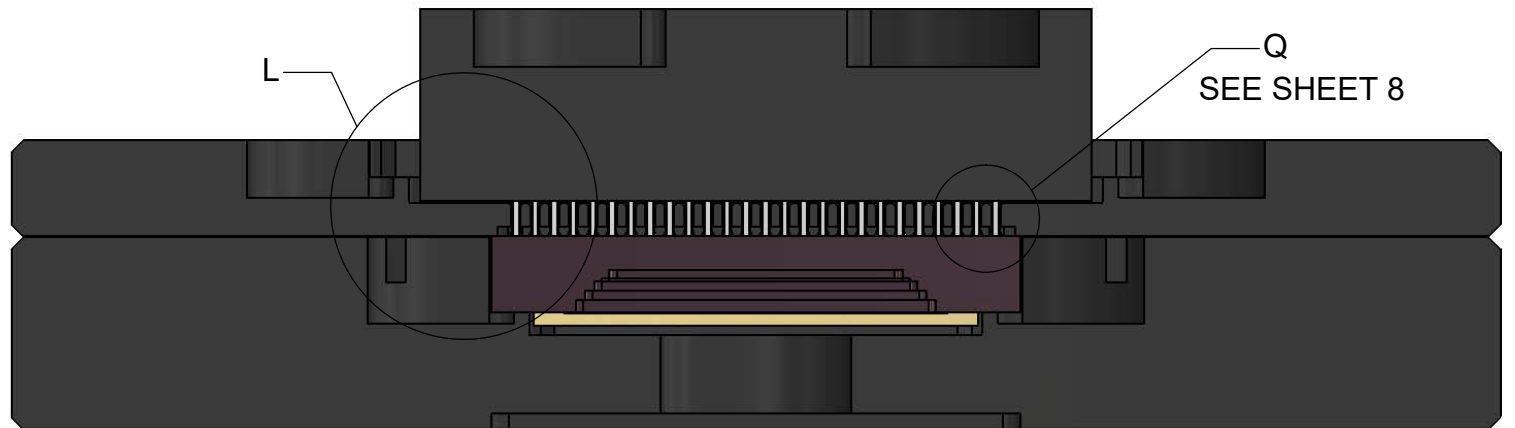


TWO SECTIONS
GRAPHITE
SEATED TOGETHER

DETAIL L
SCALE 4 : 1



SCALE= 1:2



SECTION K-K
SCALE 2 : 1

TopLine [®]			
TITLE C7-GRAPHITE-672-RU GRAPHITE TOOL			
SCALE 1:1	SIZE A	DRAWING NO. 722682	REV A
DO NOT SCALE DRAWING			SHEET 11 OF 14

EXPLODED SIDE VIEW

GRAPHITE CAP
700150



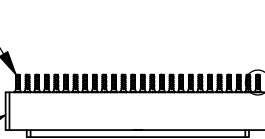
GRAPHITE
TOP



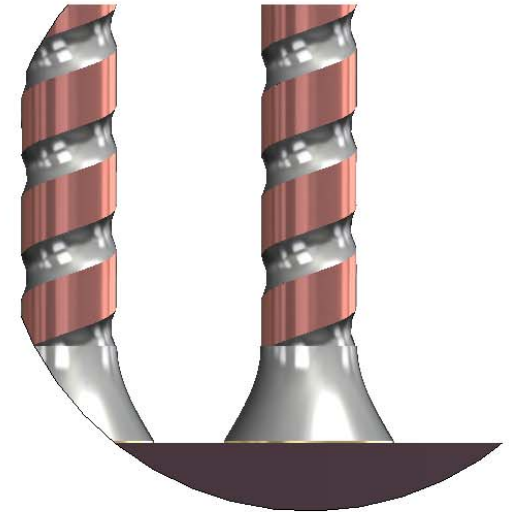
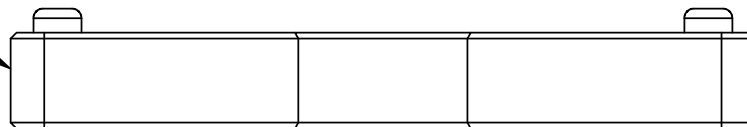
COLUMNS
X 672

CCGA

M



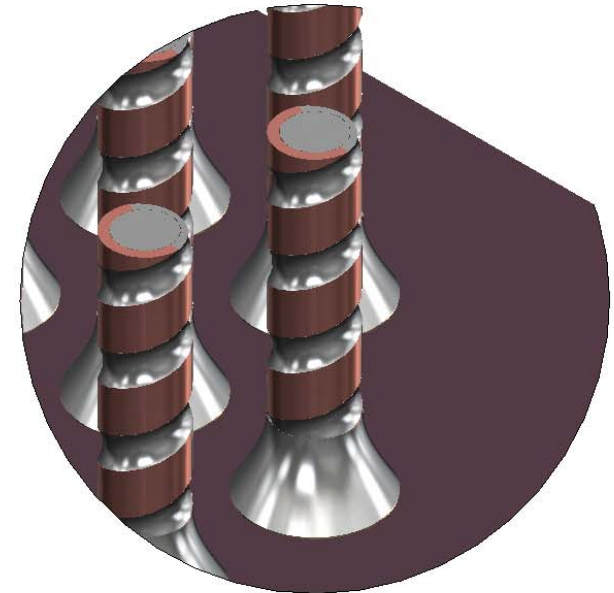
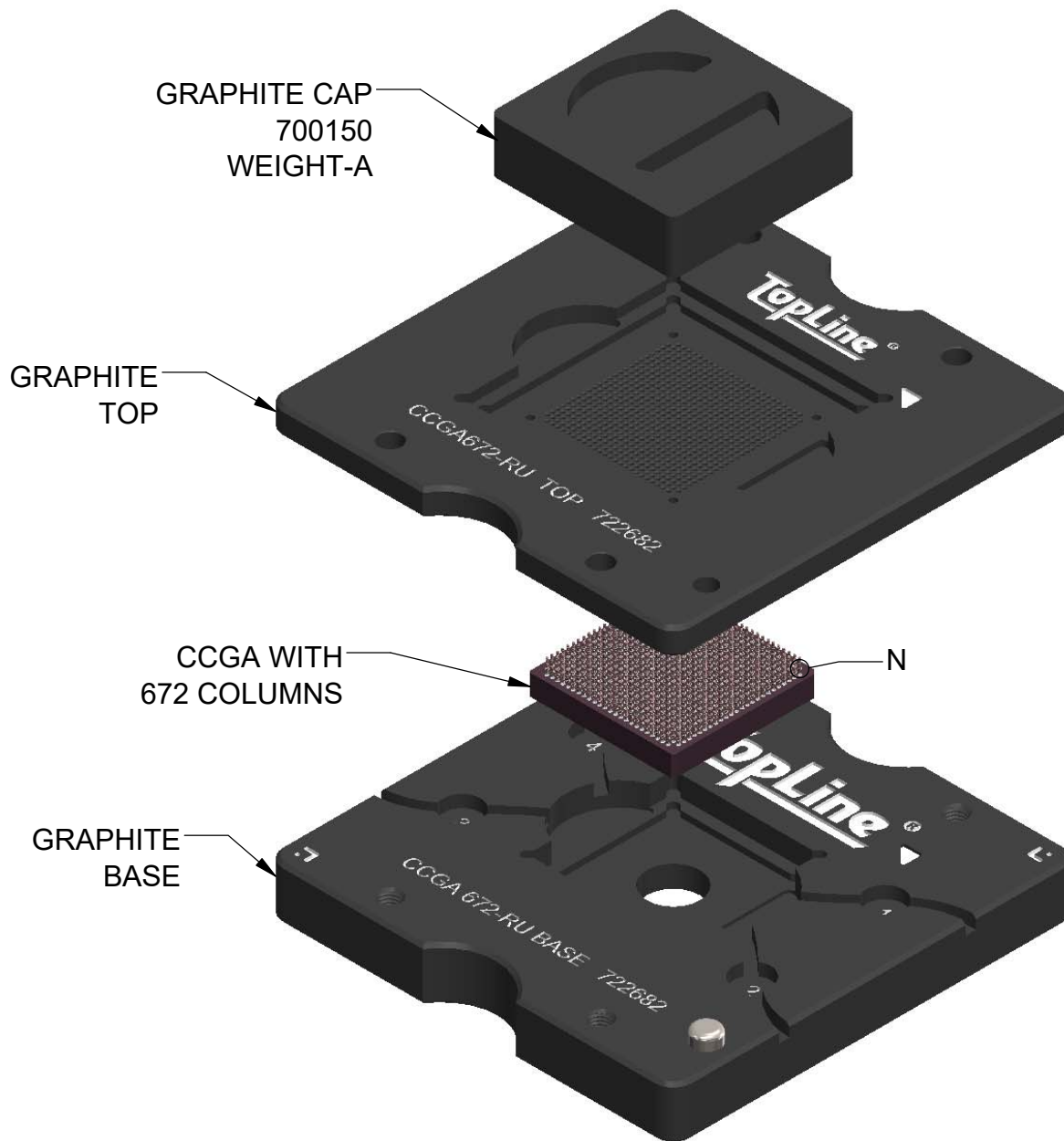
GRAPHITE
BASE



DETAIL M
SCALE 25 : 1
Sn63Pb37 FILLET
AFTER REFLOW

TopLine®			
TITLE C7-GRAPHITE-672-RU GRAPHITE TOOL			
SCALE 1:1	SIZE A	DRAWING NO. 722682	REV A
DO NOT SCALE DRAWING			SHEET 12 OF 14

EXPLODED ISOMETRIC VIEW

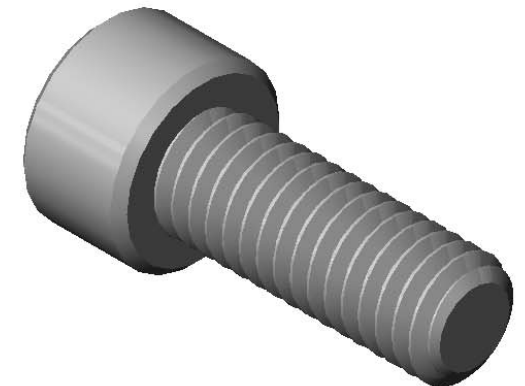
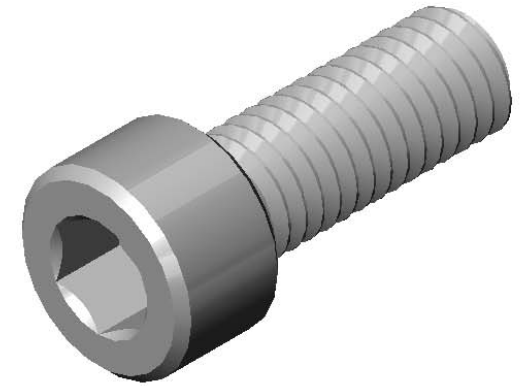
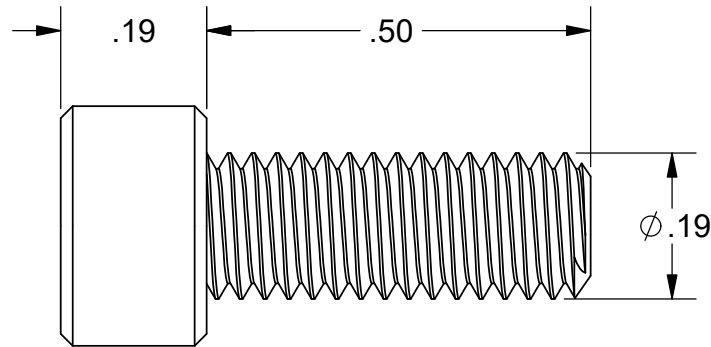
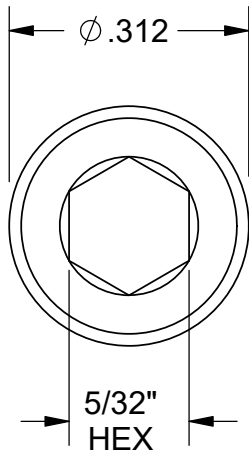


DETAIL N
SCALE 25 : 1
Sn63Pb37 FILLET
AFTER REFLOW

TopLine®			
TITLE C7-GRAPHITE-672-RU GRAPHITE TOOL			
SCALE 0.85:1	SIZE A	DRAWING NO. 722682	REV A
DO NOT SCALE DRAWING			SHEET 13 OF 14

CAP SCREW DWG 704051

MODELS



NOTES:

- 1) DIMENSIONS: INCH (UNLESS OTHERWISE SPECIFIED).
- 2) MATERIAL: SEE TABLE.
- 3) THREAD: SEE TABLE.
- 4) COLOR: STAINLESS.

DRILL TABLE

MATERIAL	THREAD	MAX OD	TAP DRILL START HOLE	CL HOLE CLOSE FIT	DWG
STAINLESS	10-32	0.190"	0.156"	0.206"	704051

TopLine[®]

TITLE C7-GRAPHITE-672-RU GRAPHITE TOOL			
SCALE 4:1	SIZE A	DRAWING NO. 722682	REV A
DO NOT SCALE DRAWING		SHEET 14 OF 14	