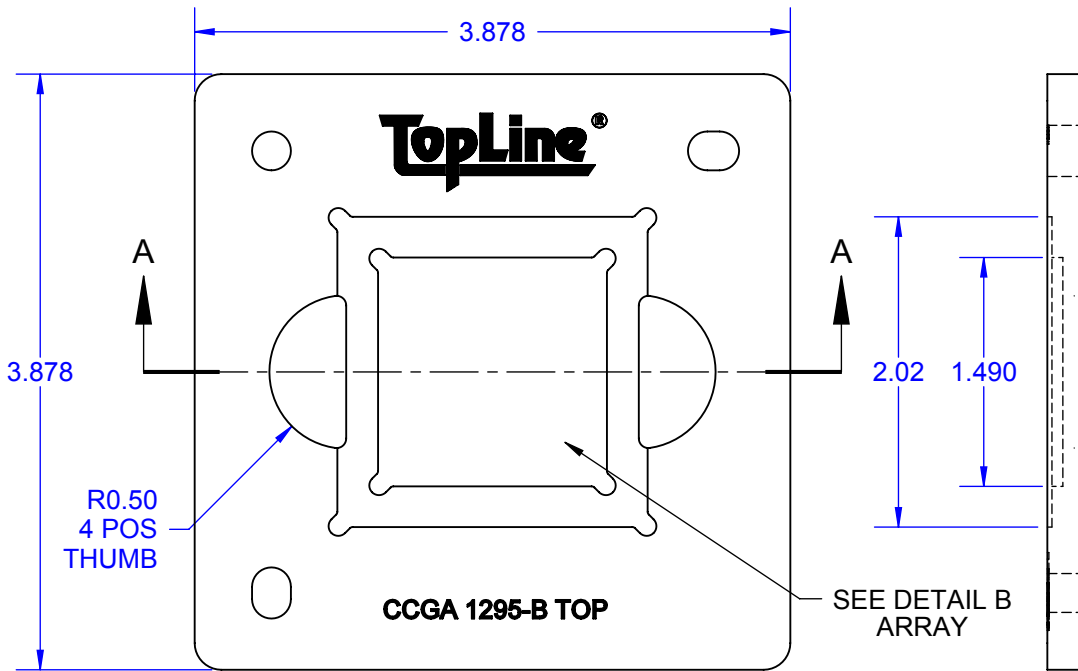


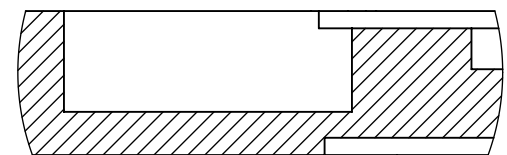
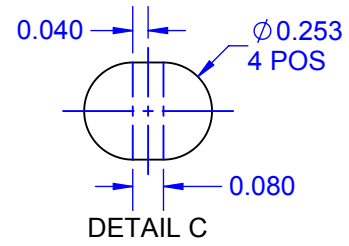
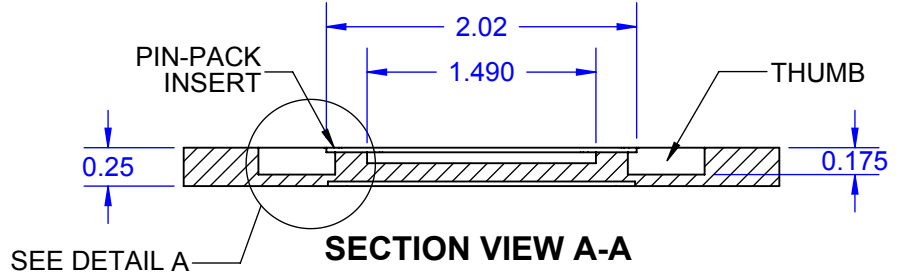
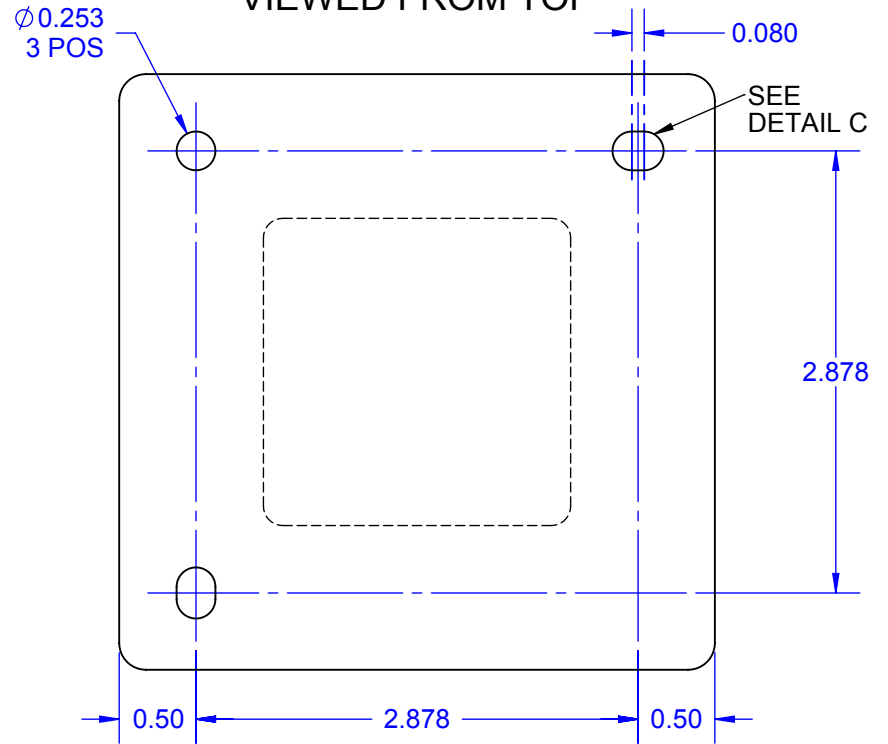
**UPPER GRAPHITE  
TOP SIDE**



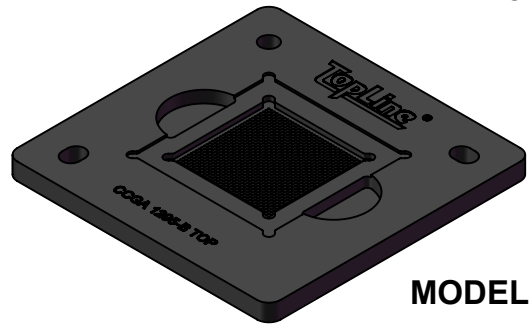
**EDGE**



**UPPER GRAPHITE  
BOTTOM SIDE  
VIEWED FROM TOP**



**DETAIL A  
SCALE 3 : 1**

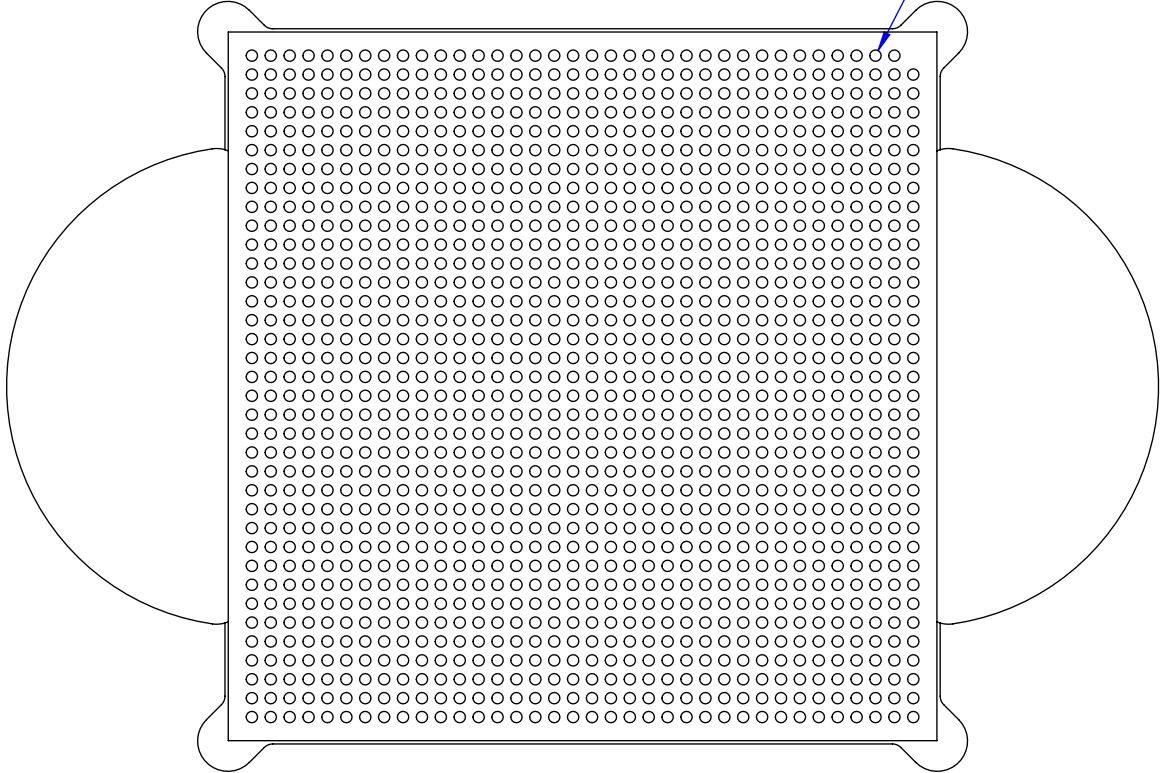


**NOTES:**  
1. DIMENSIONS in INCHES.

APPROVALS	DATE	<b>TopLine®</b>			
DRAWN T.Au	04/20/15				
ENG M. Hart	04/20/15	TITLE C7-GRAPHITE-1295B COLUMN ATTACHMENT TOOLS			
MFG		SCALE	SIZE	DRAWING NO.	REV
QA		1:1.25	A	713651	B
CUST		DO NOT SCALE DRAWING			SHEET 1 OF 7
REVISED					

**DETAIL B  
ARRAY  
36 x 36 MATRIX**

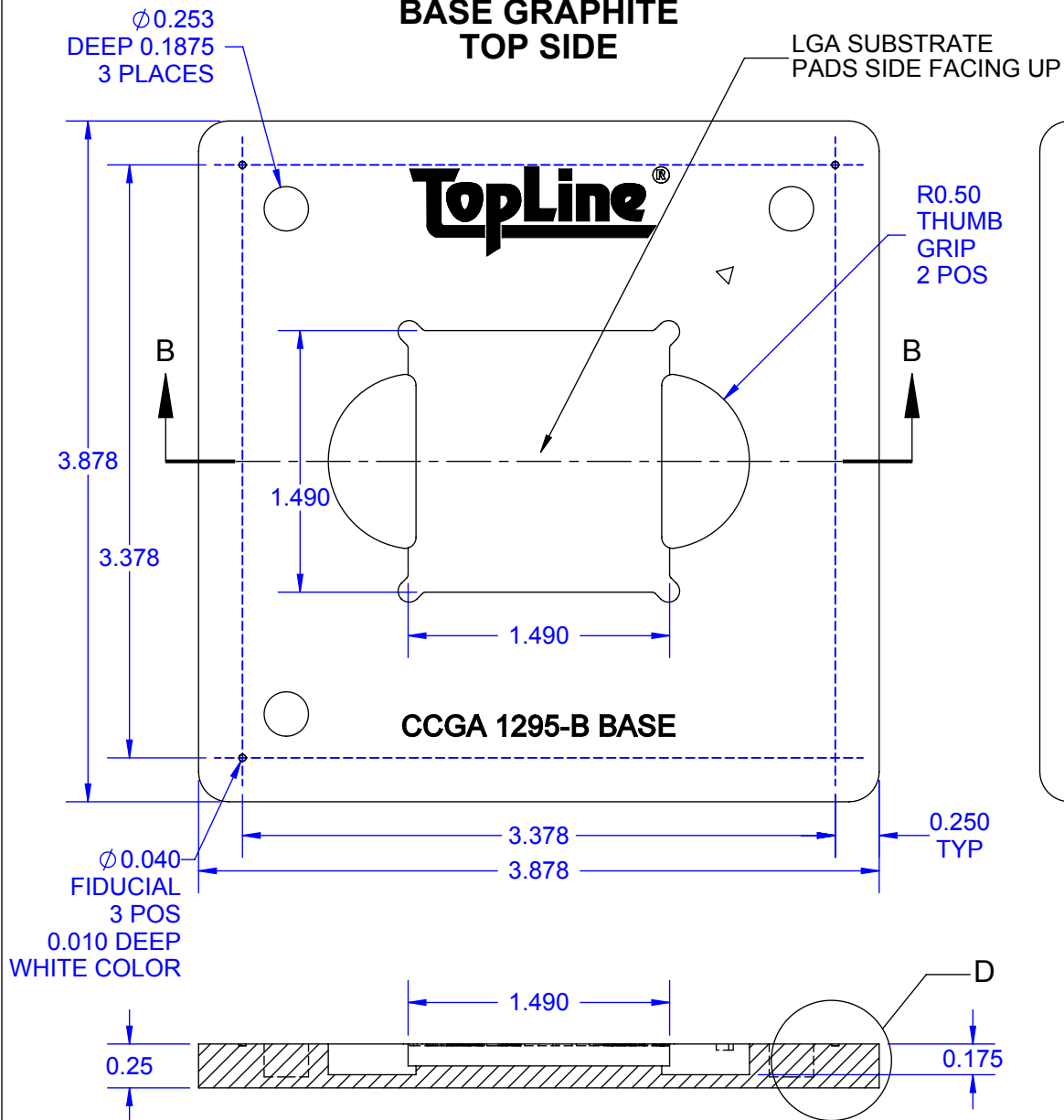
LGA PADS  $\phi 0.0197$  [ $\phi 0.50\text{mm}$ ]  
GRAPHITE ARRAY  $\phi 0.016$  [ $\phi 0.406\text{mm}$ ]  
1295 POS



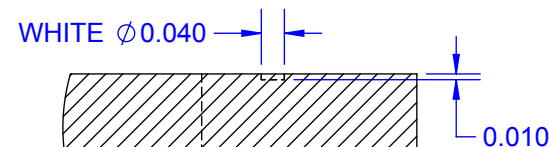
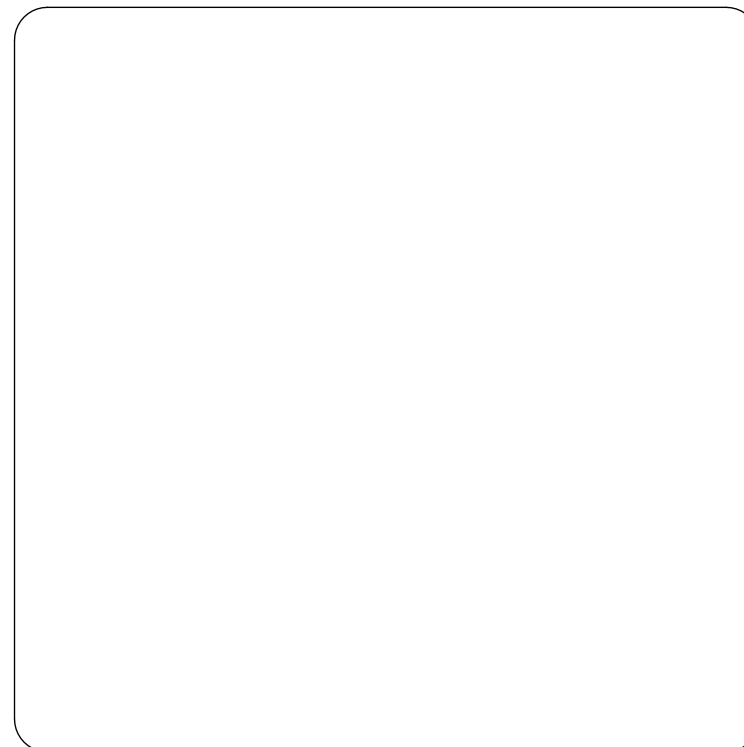
TITLE C7-GRAPHITE-1295B  
COLUMN ATTACHMENT TOOLS

SCALE 2.5:1	SIZE A	DRAWING NO. 713651	REV B
----------------	-----------	-----------------------	----------

**BASE GRAPHITE  
TOP SIDE**



**BASE GRAPHITE  
BOTTOM SIDE**



FIDUCIAL - DETAIL D  
SCALE 3:1

NOTES:  
1. DIMENSIONS in INCHES.

**TopLine®**

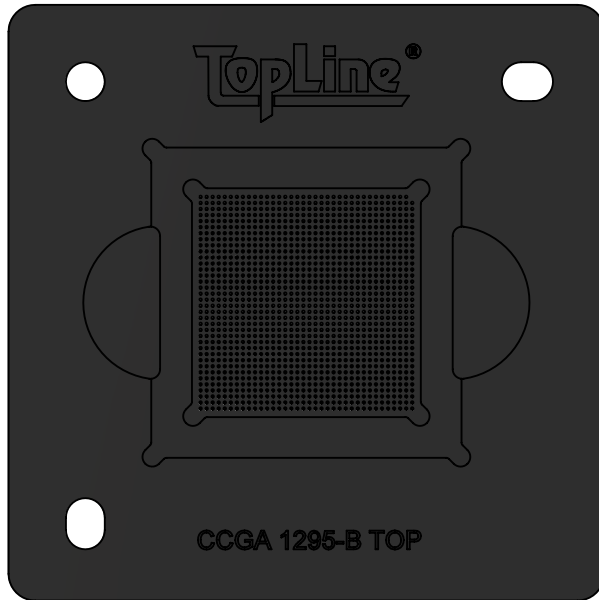
TITLE C7-GRAPHITE-1295B  
COLUMN ATTACHMENT TOOLS

SCALE 1:1	SIZE A	DRAWING NO. 713651	REV B
--------------	-----------	-----------------------	----------

DO NOT SCALE DRAWING

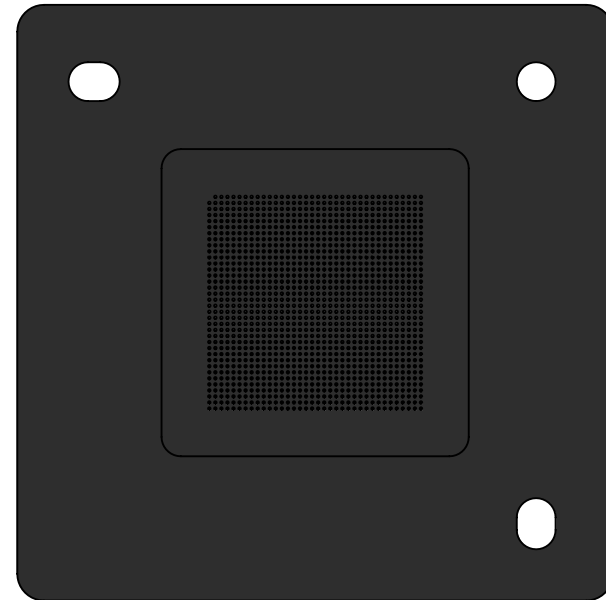
SHEET 3 OF 7

UPPER GRAPHITE  
TOP SIDE  
SHOWN WITHOUT PIN-PACK™

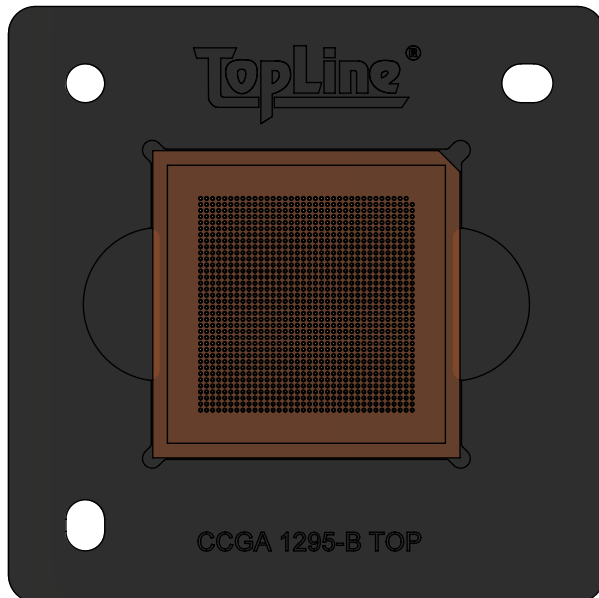


MODELS

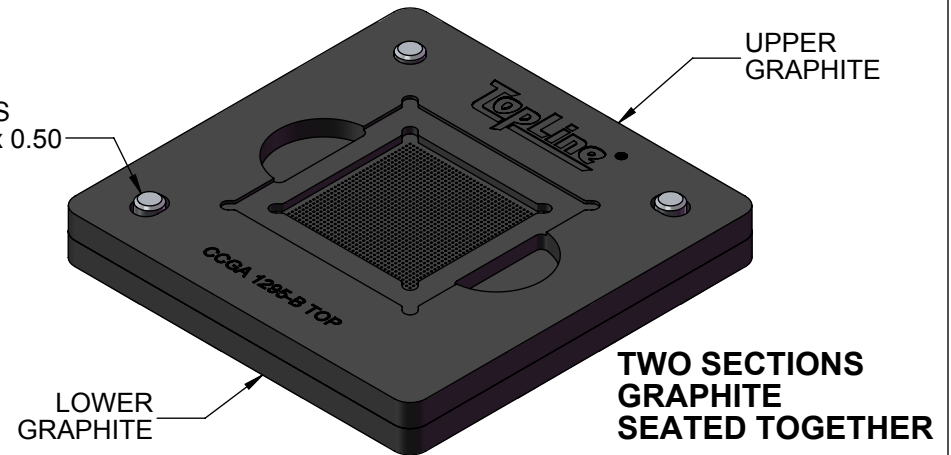
UPPER GRAPHITE  
BOTTOM VIEW  
RIGHT READING



UPPER GRAPHITE  
TOP SIDE  
SHOWN WITH PIN-PACK™



3x PEGS  
0.2945 x 0.50



**TopLine**®

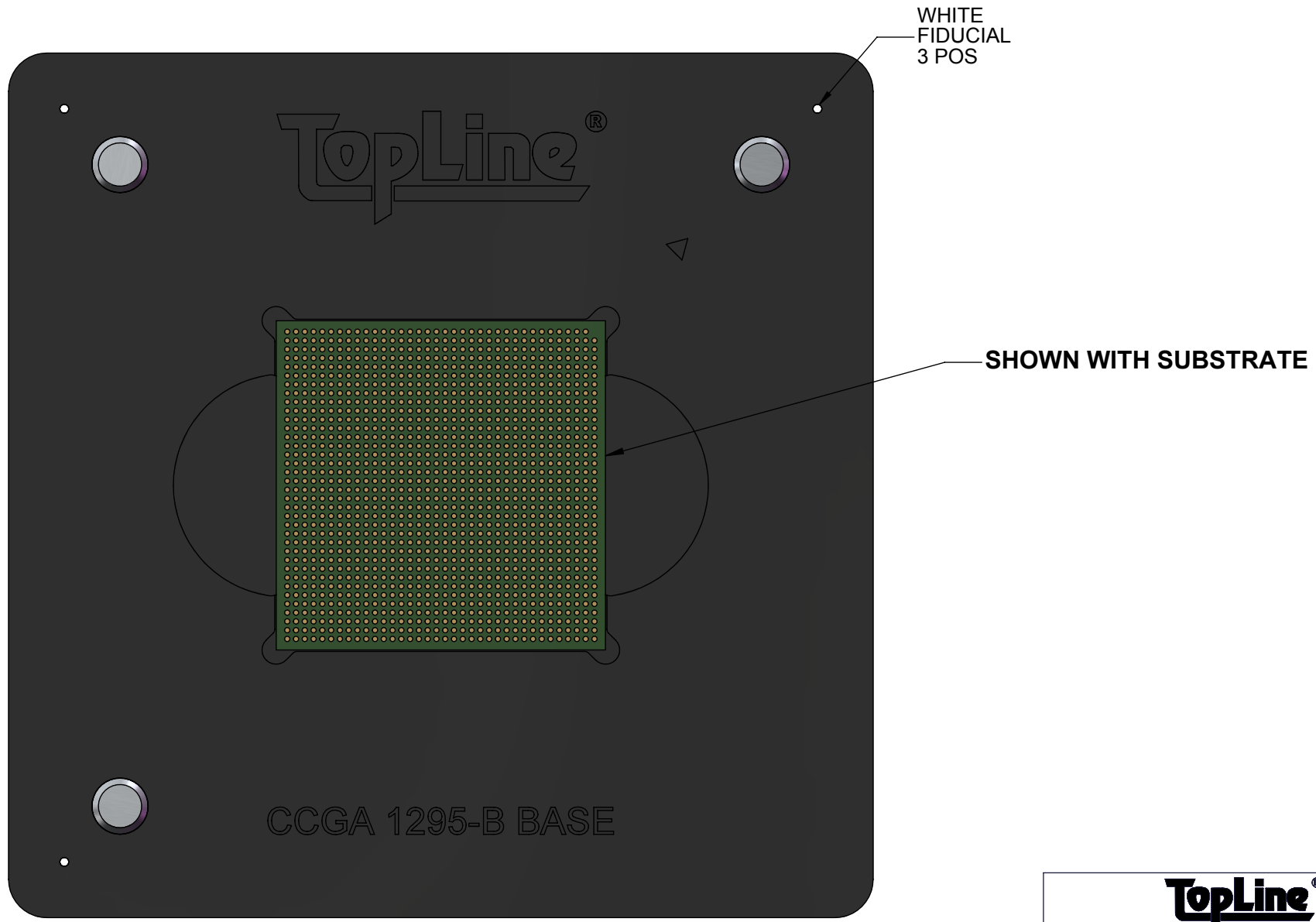
TITLE C7-GRAPHITE-1295B  
COLUMN ATTACHMENT TOOLS

SCALE 1:1.25	SIZE A	DRAWING NO. 713651	REV B
-----------------	-----------	-----------------------	----------

DO NOT SCALE DRAWING

SHEET 4 OF 7

**BASE GRAPHITE  
TOP SIDE**



NOTE 1. APPLY SOLDER PASTE TO SUBSTRATE PADS BEFORE COVERING WITH TOP GRAPHITE.

<b>TopLine<sup>®</sup></b>			
TITLE C7-GRAPHITE-1295B COLUMN ATTACHMENT TOOLS			
SCALE 2:1	SIZE A	DRAWING NO. 713651	REV B
DO NOT SCALE DRAWING			SHEET 5 OF 7

COLUMN ARRAY  
IN HOLES

# EXPLODED VIEW

PIN-PACK™  
PATENT PENDING

TOP GRAPHITE

DIRECTION OF FEED

COLUMNS GRAVITY FEED

LGA SUBSTRATE

PEGS

PEGS

BASE GRAPHITE

FIDUCIALS  
3 POS

**TopLine**®

TITLE C7-GRAPHITE-1295B  
COLUMN ATTACHMENT TOOLS

SCALE	SIZE	DRAWING NO.	REV
1:1.25	A	713651	B

DO NOT SCALE DRAWING

SHEET 6 OF 7

**TOOL PART NUMBERS & ACCESSORIES**

MODEL NUMBER	DESCRIPTION	LGA X/Y SIZE	LGA Z - HEIGHT	PAD MATRIX	PITCH	DWG
C7-GRAPHITE-1295B	GRAPHITE SET	37.5mm SQ 1.477-inch	2.72mm 0.107"	36x36	1.0mm	713651
C7-BASE-1295B	GRAPHITE BASE	37.5mm SQ 1.477-inch	2.72mm 0.107"	ALL	ALL	337271
C7-TOP-1295B	GRAPHITE TOP	37.5mm SQ 1.477-inch	ALL	36x36	1.0mm	513651
C7-PEG	ALIGNMENT PEG	6.3 x 1.27mm 0.25 x 0.50-inch	ALL	ALL	ALL	702550
PP83C1295E12x87A	Pin-Pack Pb80/Sn20 Copper	0.30 x 2.21mm 0.012 x 0.087-inch	ALL	36x36	1.0mm	831362
PP90U1295E12x87A	Pin-Pack Pb90/Sn10	0.30 x 2.21mm 0.012 x 0.087-inch	ALL	36x36	1.0mm	901362

NOTE: MICRO-COIL SPRING REQUIRES A DIFFERENT GRAPHITE SET

**TopLine®**

TITLE C7-GRAPHITE-1295B  
COLUMN ATTACHMENT TOOLS

SCALE NONE	SIZE A	DRAWING NO. 713651	REV B
---------------	-----------	-----------------------	----------

DO NOT SCALE DRAWING

SHEET 7 OF 7