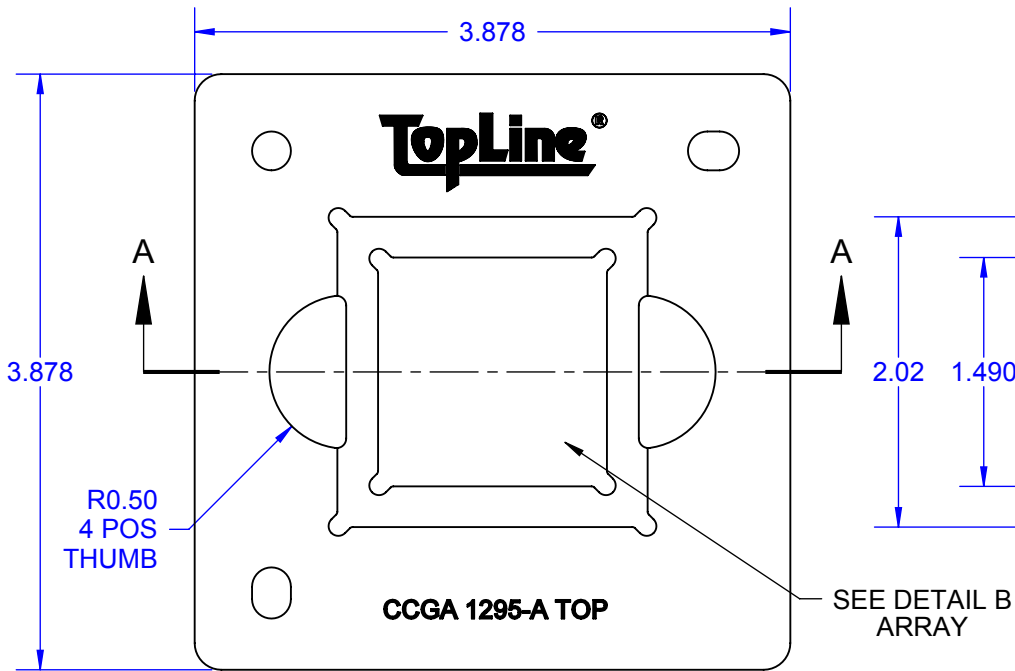


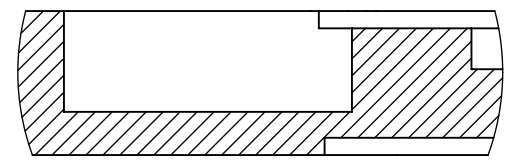
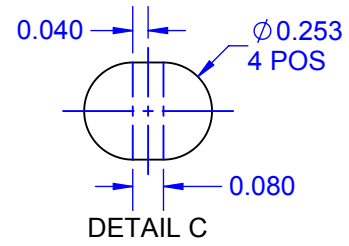
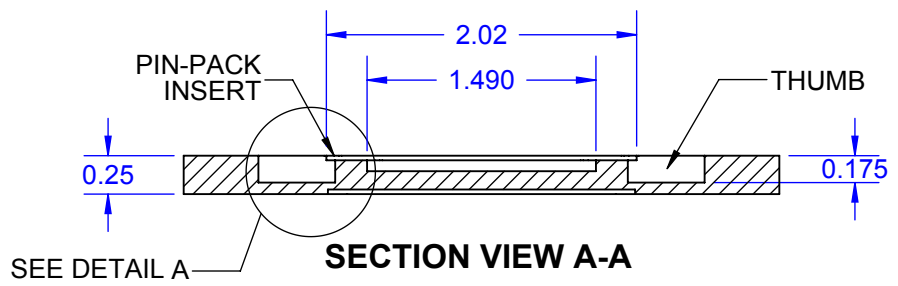
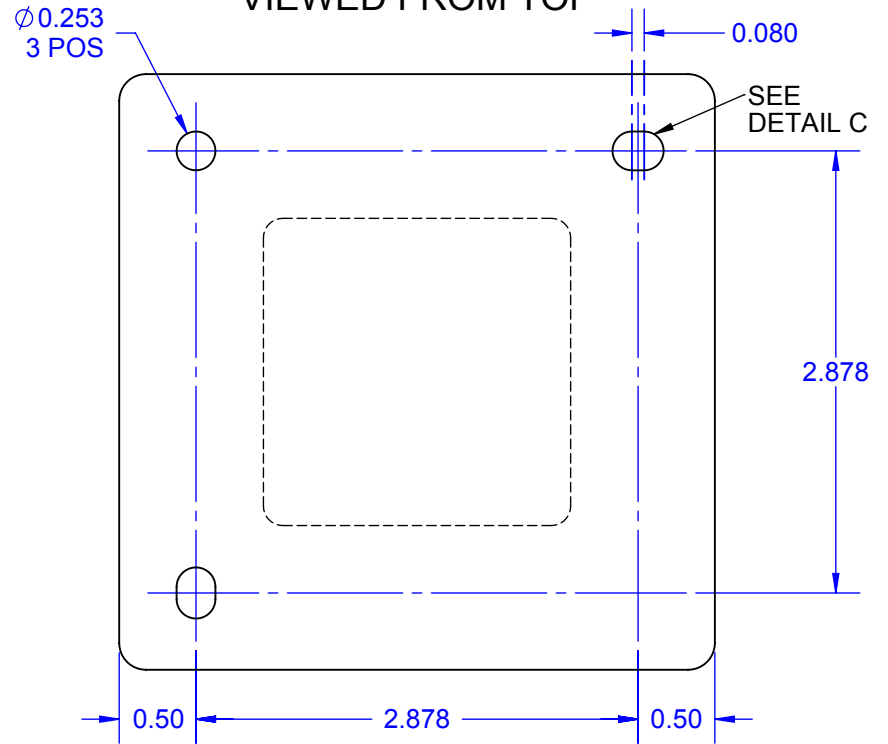
**UPPER GRAPHITE
TOP SIDE**



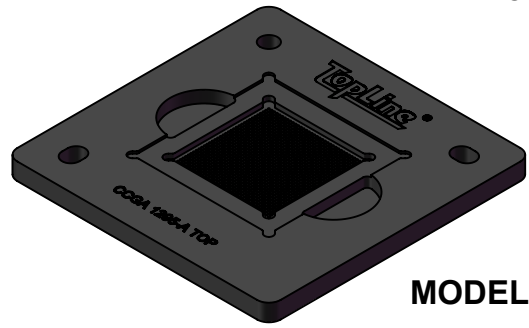
EDGE



**UPPER GRAPHITE
BOTTOM SIDE
VIEWED FROM TOP**



**DETAIL A
SCALE 3 : 1**

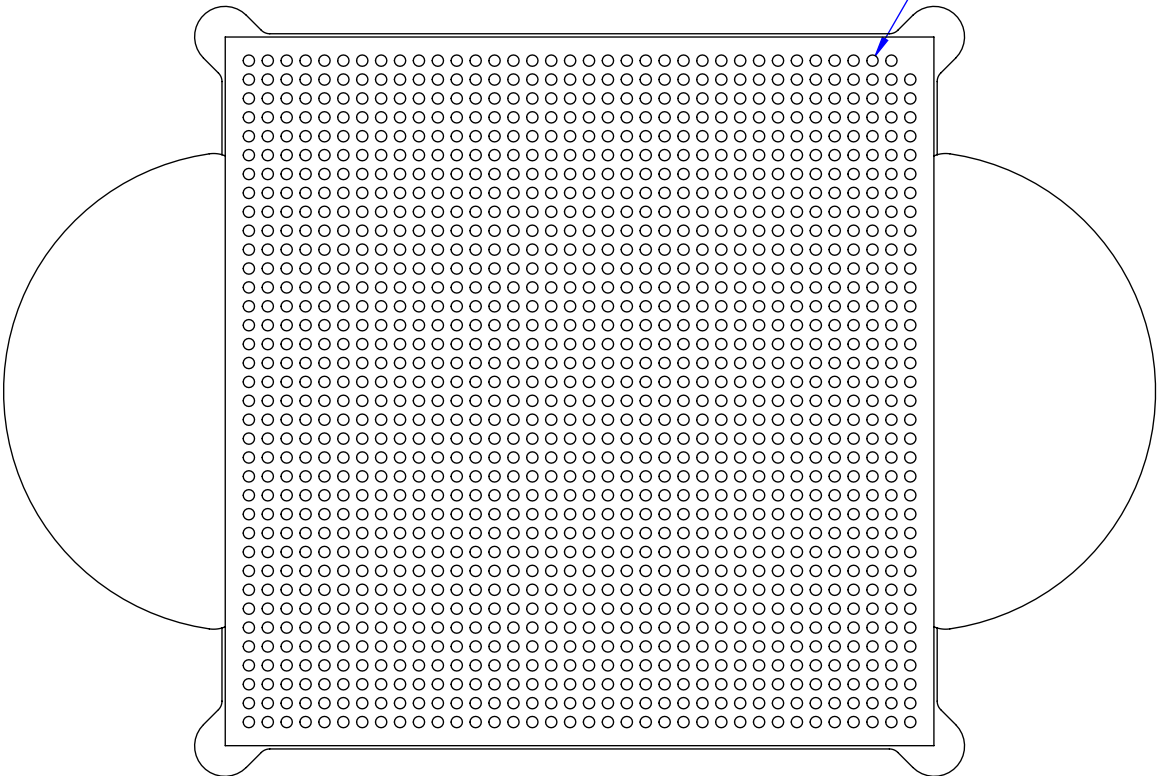


NOTES:
1. DIMENSIONS in INCHES.

APPROVALS	DATE	TopLine®			
DRAWN T.Au	04/19/15				
ENG M. Hart	04/19/15	TITLE C7-GRAPHITE-1295A COLUMN ATTACHMENT TOOLS			
MFG		SCALE	SIZE	DRAWING NO.	REV
QA		1:1.25	A	713650	A
CUST		DO NOT SCALE DRAWING			SHEET 1 OF 7
REVISED					

**DETAIL B
ARRAY
36 x 36 MATRIX**

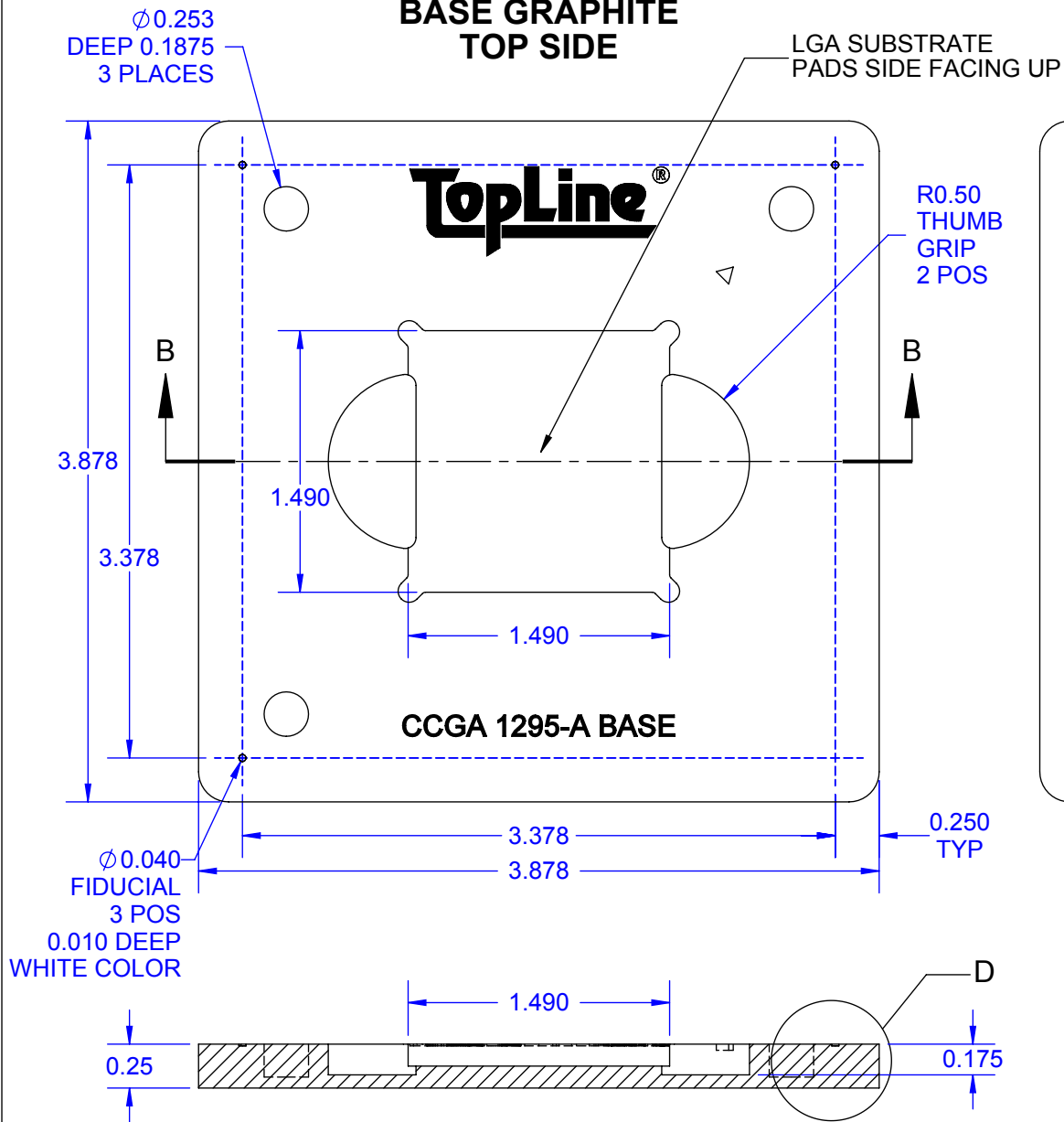
LGA PADS $\phi 0.020$ [$\phi 0.51\text{mm}$]
GRAPHITE ARRAY $\phi 0.020$ [$\phi 0.51\text{mm}$]
1295 POS



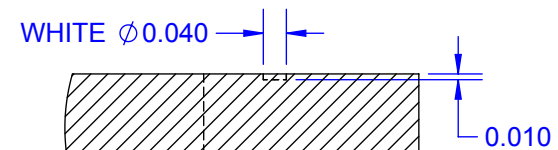
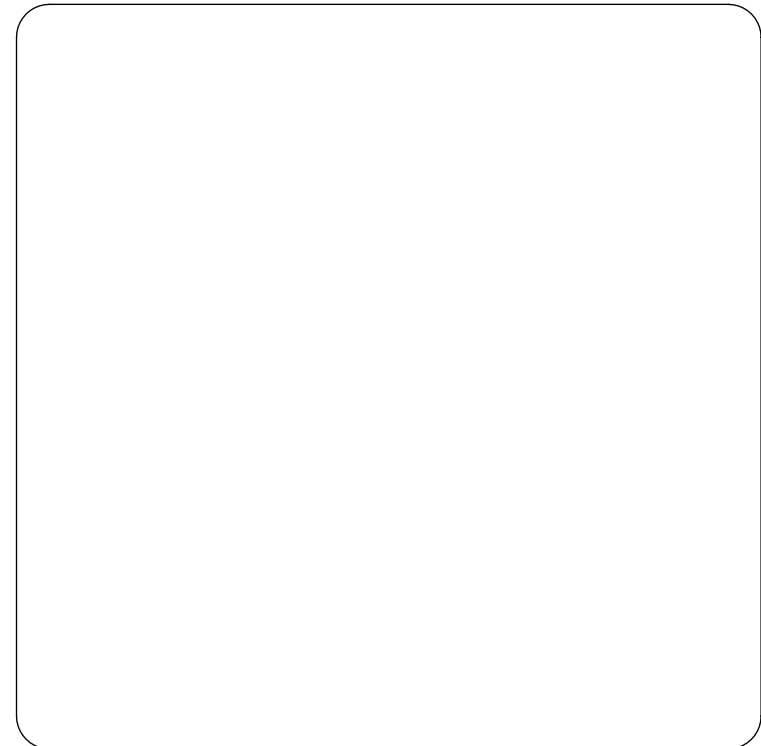
TITLE C7-GRAPHITE-1295A
COLUMN ATTACHMENT TOOLS

SCALE 2.5:1	SIZE A	DRAWING NO. 713650	REV A
----------------	-----------	-----------------------	----------

**BASE GRAPHITE
TOP SIDE**



**BASE GRAPHITE
BOTTOM SIDE**



FIDUCIAL - DETAIL D
SCALE 3:1

NOTES:
1. DIMENSIONS in INCHES.

TopLine[®]

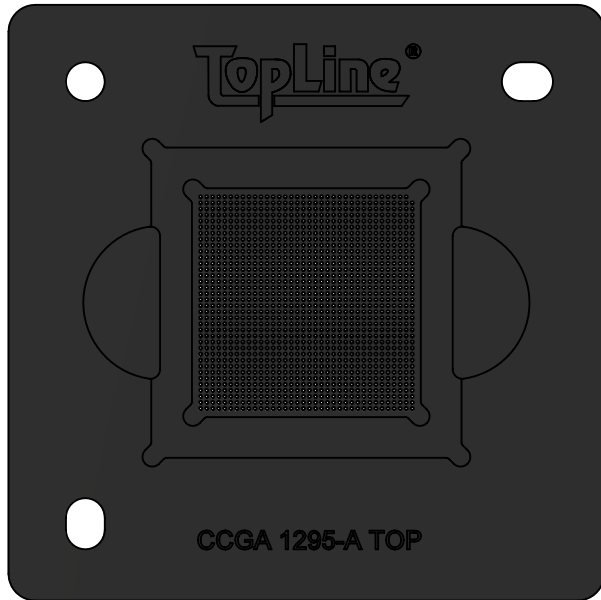
TITLE C7-GRAPHITE-1295A
COLUMN ATTACHMENT TOOLS

SCALE 1:1	SIZE A	DRAWING NO. 713650	REV A
--------------	-----------	-----------------------	----------

DO NOT SCALE DRAWING

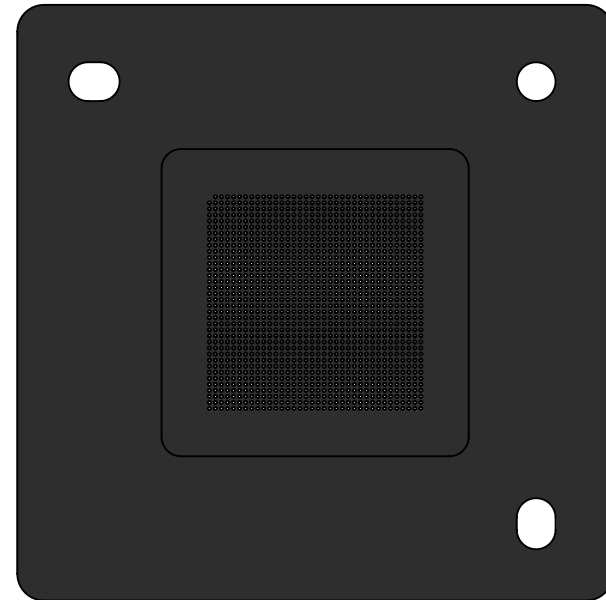
SHEET 3 OF 7

UPPER GRAPHITE
TOP SIDE
SHOWN WITHOUT PIN-PACK™

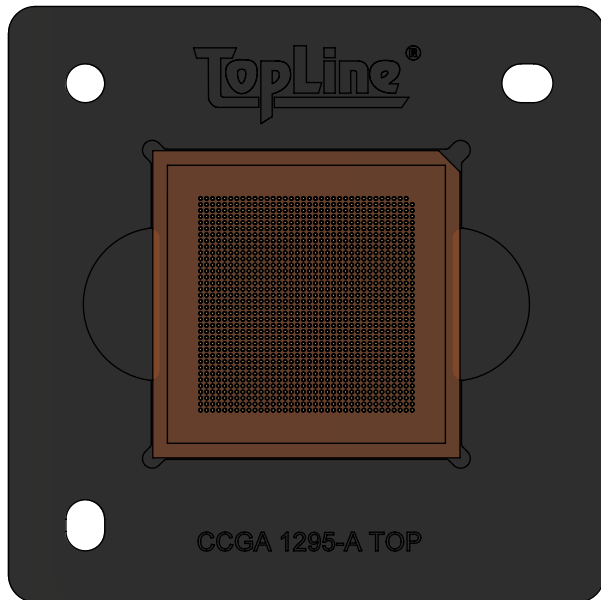


MODELS

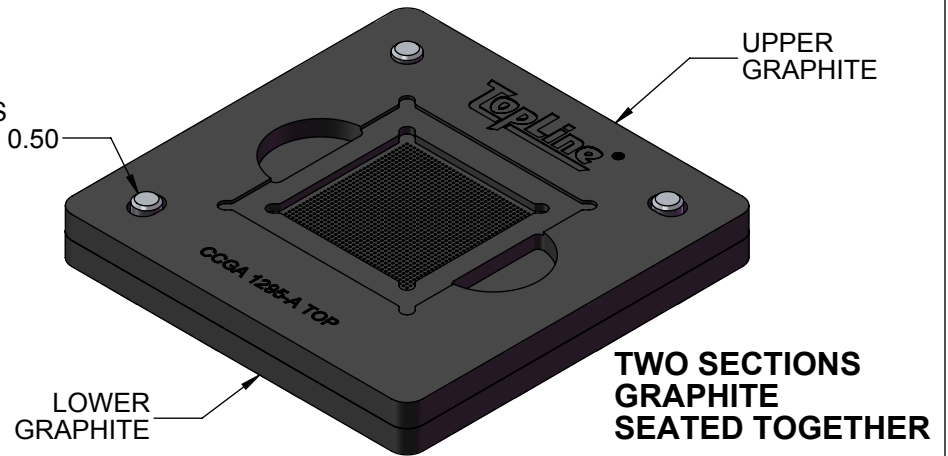
UPPER GRAPHITE
BOTTOM VIEW
RIGHT READING



UPPER GRAPHITE
TOP SIDE
SHOWN WITH PIN-PACK™



3x PEGS
0.2945 x 0.50



TopLine®

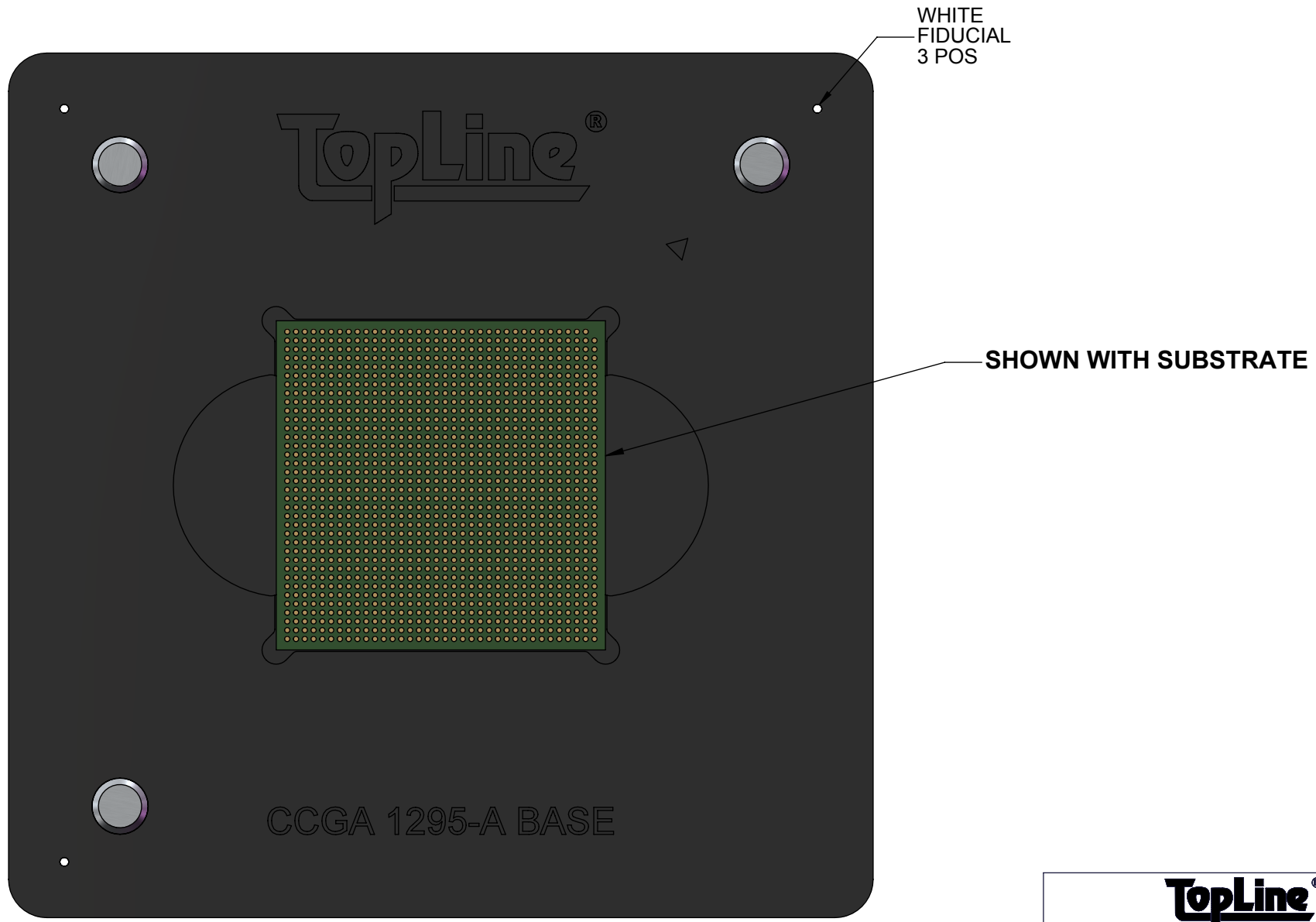
TITLE C7-GRAPHITE-1295A
COLUMN ATTACHMENT TOOLS

SCALE 1:1.25	SIZE A	DRAWING NO. 713650	REV A
-----------------	-----------	-----------------------	----------

DO NOT SCALE DRAWING

SHEET 4 OF 7

**BASE GRAPHITE
TOP SIDE**



NOTE 1. APPLY SOLDER PASTE TO SUBSTRATE PADS BEFORE COVERING WITH TOP GRAPHITE.

TopLine[®]			
TITLE C7-GRAPHITE-1295A COLUMN ATTACHMENT TOOLS			
SCALE 2:1	SIZE A	DRAWING NO. 713650	REV A
DO NOT SCALE DRAWING			SHEET 5 OF 7

COLUMN ARRAY
IN HOLES

EXPLODED VIEW

PIN-PACK™
PATENT PENDING

TOP GRAPHITE

DIRECTION OF FEED

COLUMNS GRAVITY FEED

LGA SUBSTRATE

PEGS

PEGS

BASE GRAPHITE

FIDUCIALS
3 POS

TITLE C7-GRAPHITE-1295A
COLUMN ATTACHMENT TOOLS

SCALE 1:1.25	SIZE A	DRAWING NO. 713650	REV A
-----------------	-----------	-----------------------	----------

DO NOT SCALE DRAWING

SHEET 6 OF 7

TOOL PART NUMBERS & ACCESSORIES

MODEL NUMBER	DESCRIPTION	LGA X/Y SIZE	LGA Z - HEIGHT	PAD MATRIX	PITCH	DWG
C7-GRAPHITE-1295A	GRAPHITE SET	37.5mm SQ 1.477-inch	2.72mm 0.107"	36x36	1.0mm	713650
C7-BASE-1295A	GRAPHITE BASE	37.5mm SQ 1.477-inch	2.72mm 0.107"	ALL	ALL	337270
C7-TOP-1295A	GRAPHITE TOP	37.5mm SQ 1.477-inch	ALL	36x36	1.0mm	513650
C7-PEG	ALIGNMENT PEG	6.3 x 1.27mm 0.25 x 0.50-inch	ALL	ALL	ALL	702550
PP83C1295E15x87A	Pin-Pack Pb80/Sn20 Copper	0.38 x 2.21mm 0.015 x 0.087-inch	ALL	36x36	1.0mm	831361
PP90U1295E15x87A	Pin-Pack Pb90/Sn10	0.38 x 2.21mm 0.015 x 0.087-inch	ALL	36x36	1.0mm	901361

NOTE: MICRO-COIL SPRING REQUIRES A DIFFERENT GRAPHITE SET

TopLine®

TITLE C7-GRAPHITE-1295A
COLUMN ATTACHMENT TOOLS

SCALE NONE	SIZE A	DRAWING NO. 713650	REV A
---------------	-----------	-----------------------	----------

DO NOT SCALE DRAWING

SHEET 7 OF 7