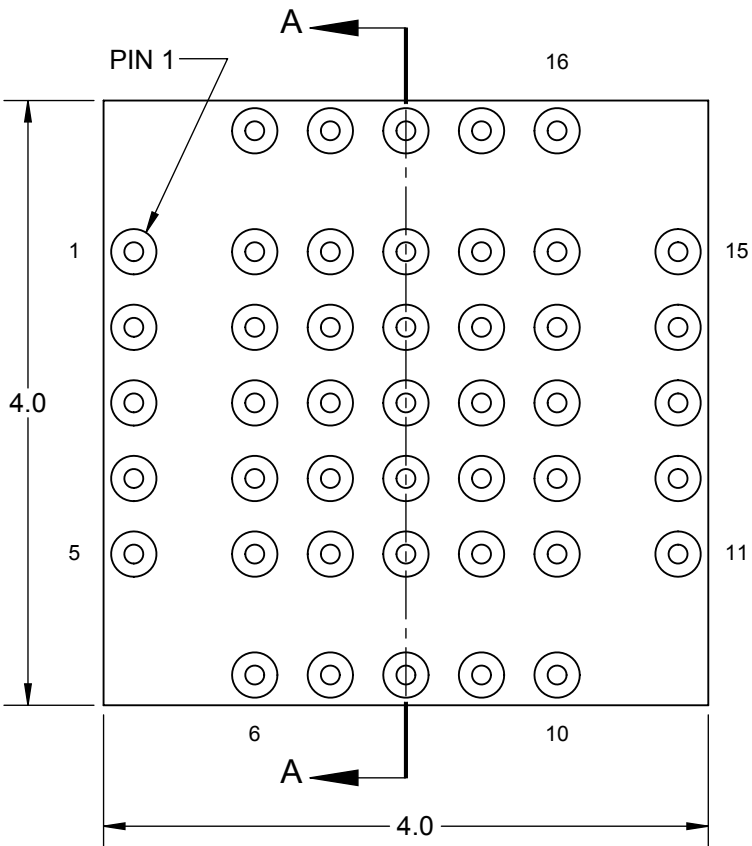
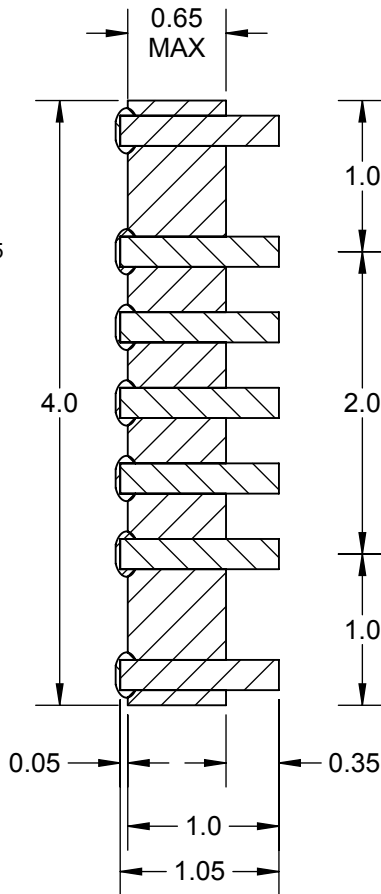


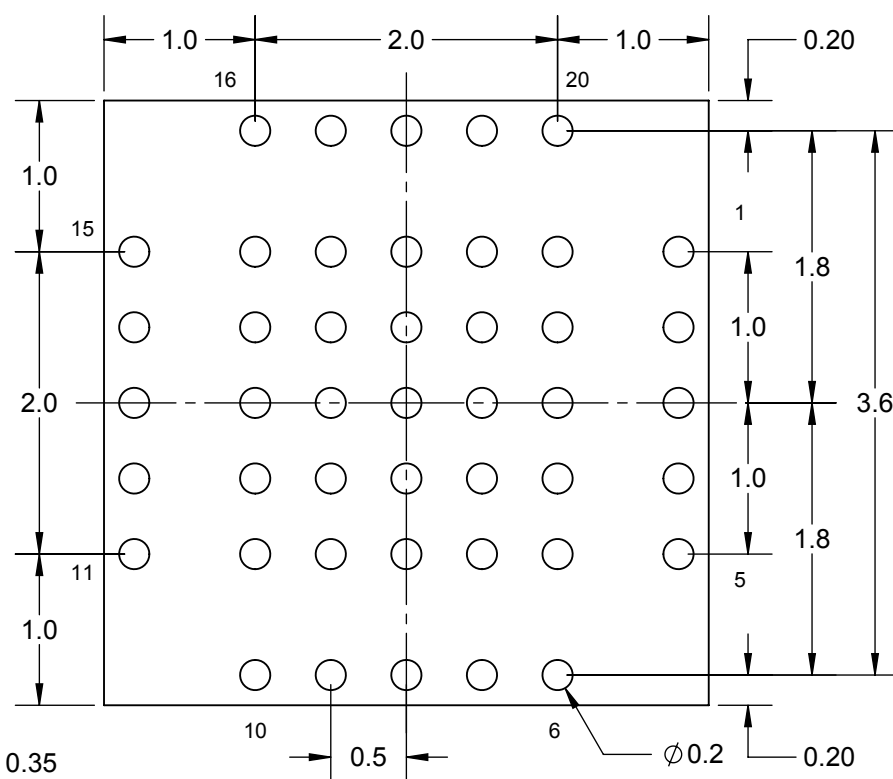
HCD J-9K



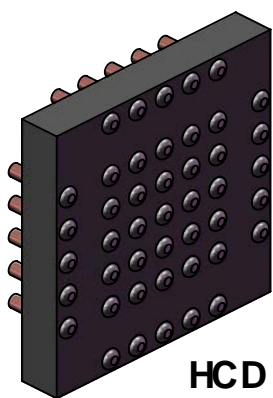
G89 J-9K



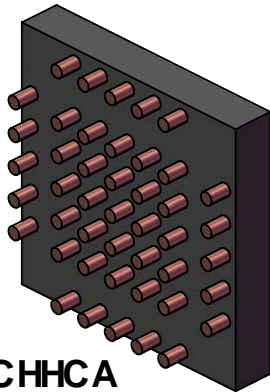
6CHCA J-9K



AC89@



HCD

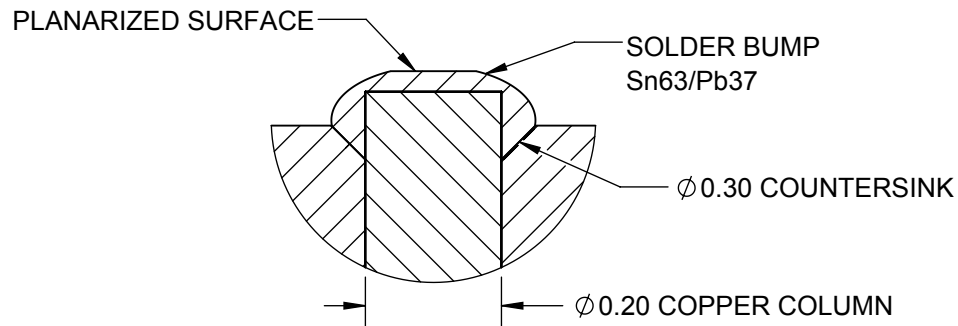
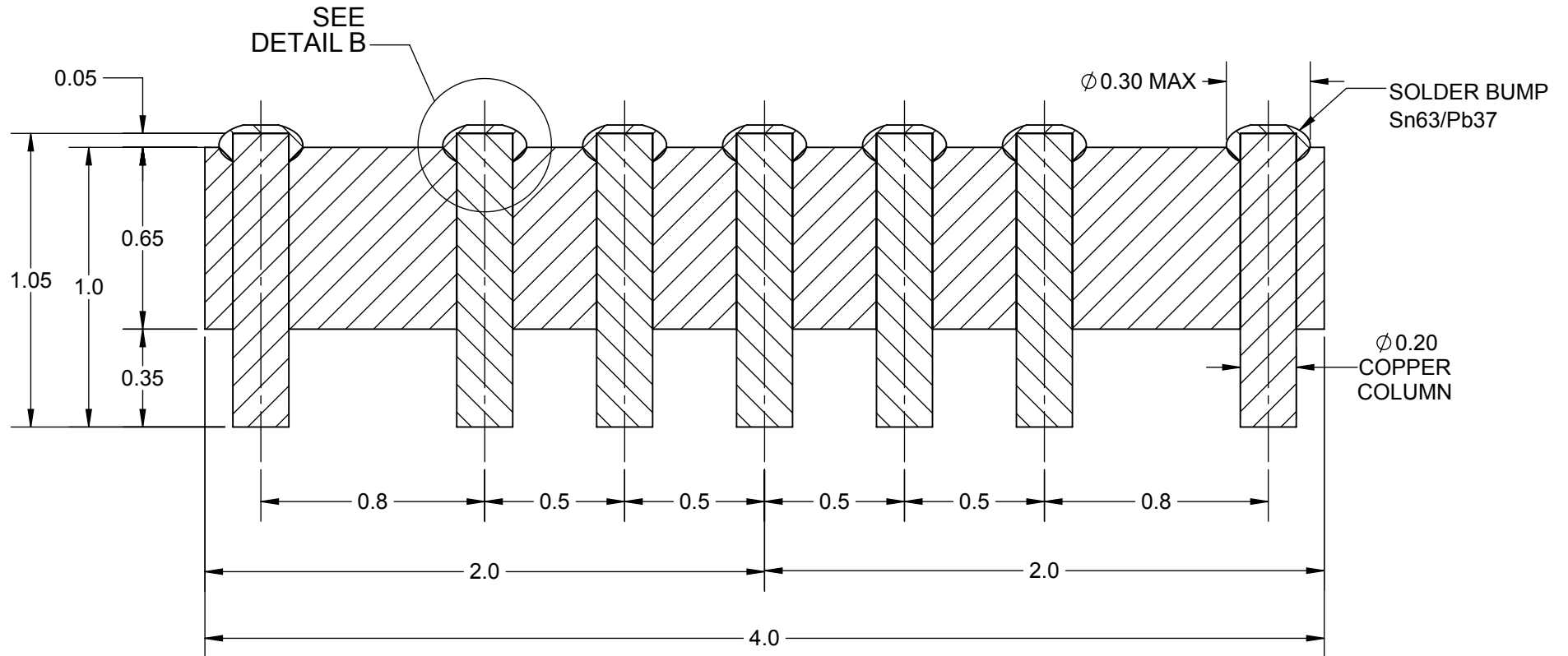


6 CHCA

Notes: (Unless Otherwise Specified).
1. DIMENSIONS IN MM.

| | | | | | |
|-------------|------------|---|------|-------------|--------------|
| APPROVALS | DATE | TopLine® | | | |
| DRAWN T. Au | 01/13/2020 | | | | |
| ENG M. Hart | 01/13/2020 | TITLE IP30E20B8x40A Cu COLUMN INTERPOSER | | | |
| MFG | | SCALE | SIZE | DRAWING NO. | REV |
| QA | | 20:1 | A | 350520 | A |
| CUST | | DO NOT SCALE DRAWING | | | SHEET 1 OF 3 |
| REVISED | | | | | |

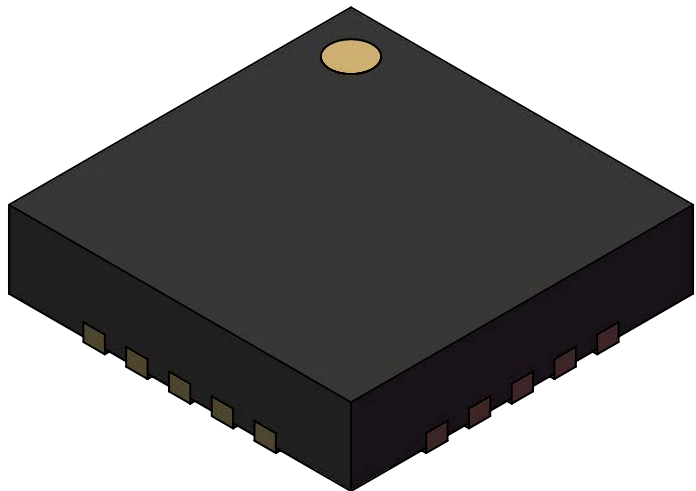
G97HCB'J-9K'5!5



DETAIL B
SCALE 90 : 1

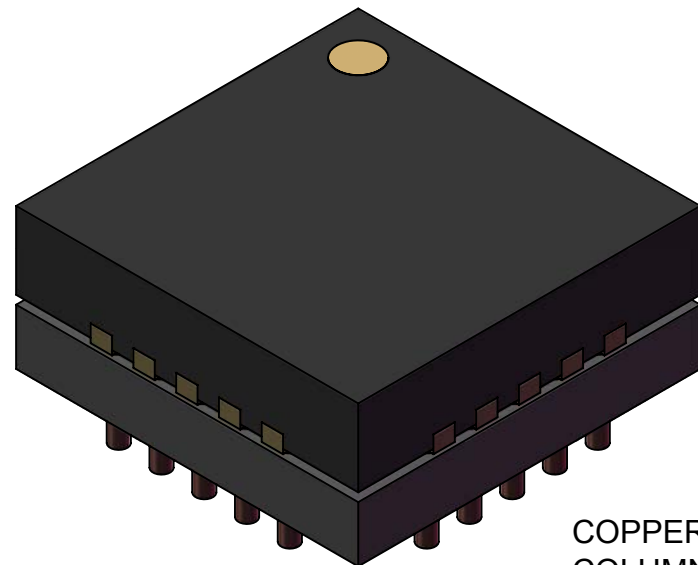
| | | | |
|---|-----------|-----------------------|----------|
| TopLine® | | | |
| TITLE IP30E20B8x40A Cu COLUMN INTERPOSER | | | |
| SCALE 45:1 | SIZE A | DRAWING NO. 350520 | REV A |
| DO NOT SCALE DRAWING | | SHEET 2 OF 3 | |

9LD@C898
J→K



QFN 20L

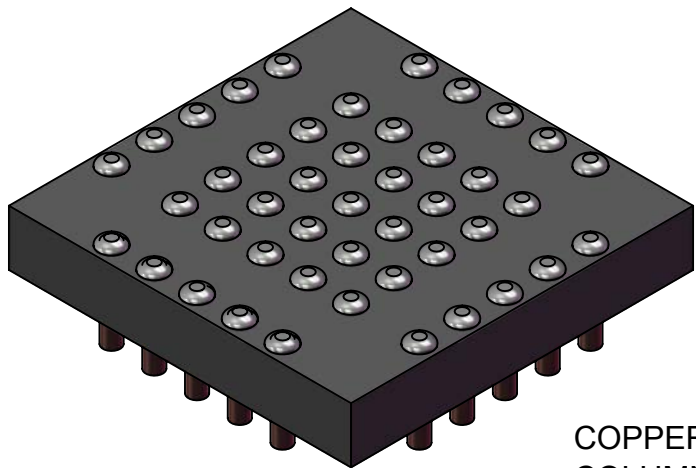
5 GG9A6 @M
J→K



QFN 20L

INTERPOSER

COPPER
COLUMNS



INTERPOSER

COPPER
COLUMNS

TopLine[®]

TITLE IP30E20B8x40A
Cu COLUMN INTERPOSER

| | | | |
|---------------|-----------|-----------------------|----------|
| SCALE 16:1 | SIZE A | DRAWING NO. 350520 | REV A |
|---------------|-----------|-----------------------|----------|

DO NOT SCALE DRAWING

SHEET 3 OF 3