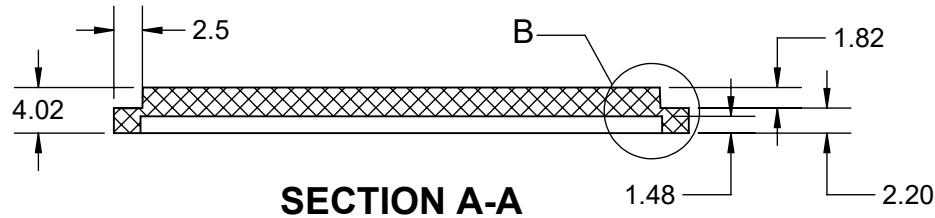
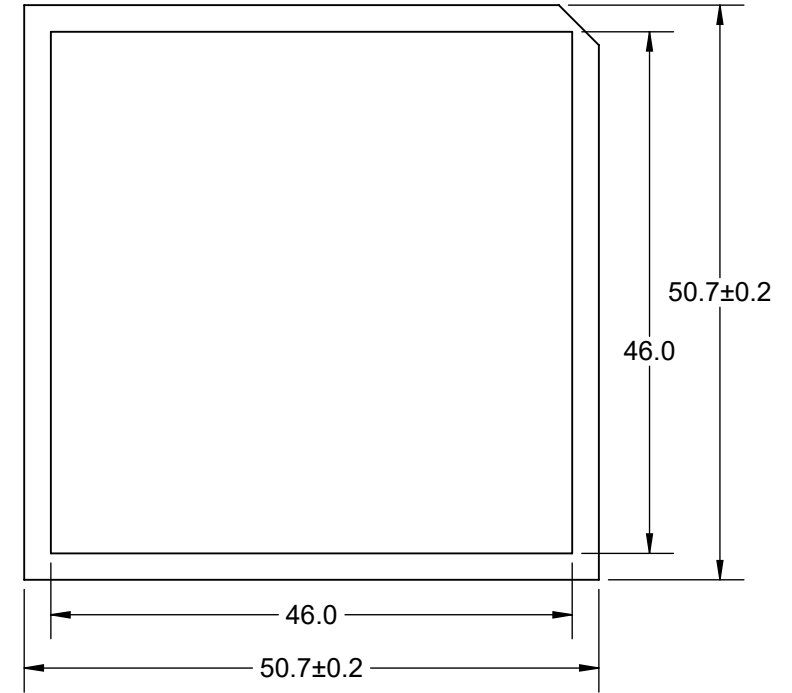
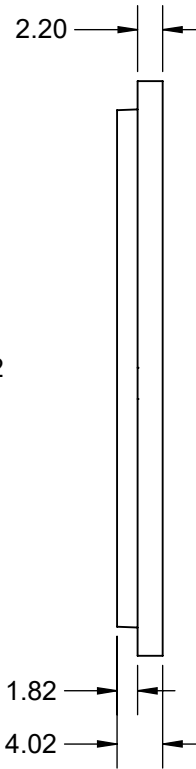
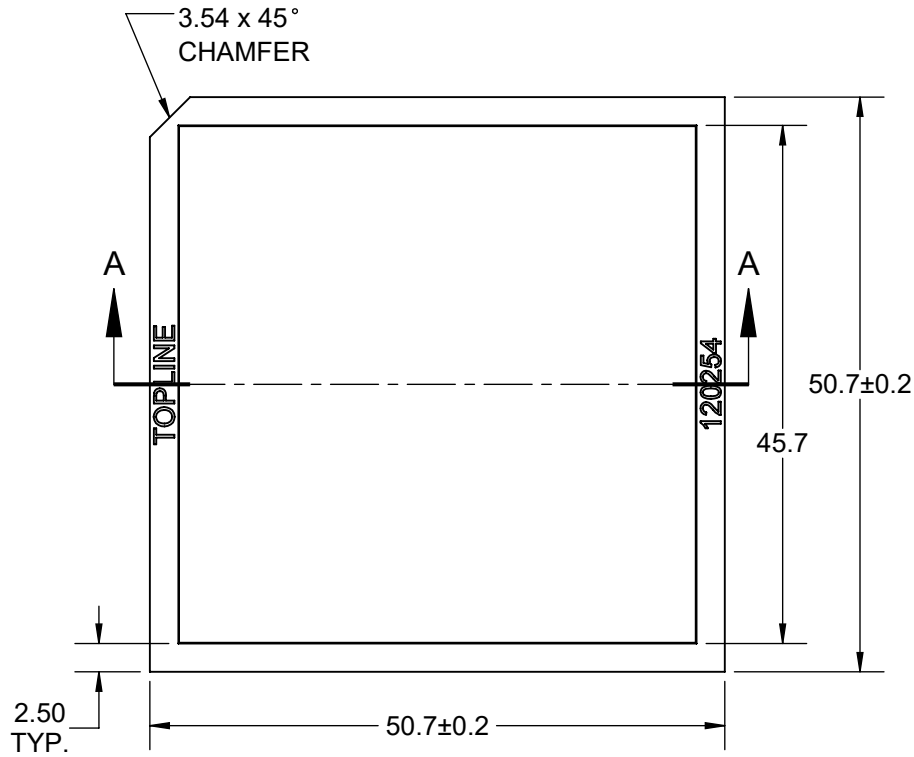


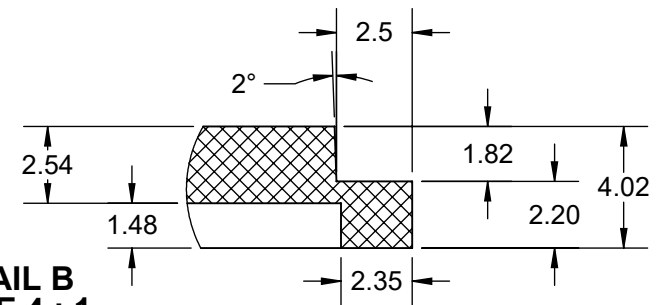
**TOP**

**SIDE**

**BOTTOM**

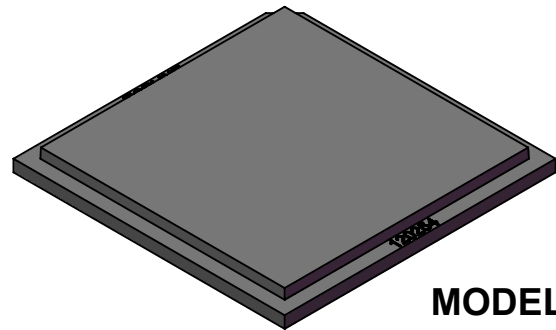


**SECTION A-A**



**DETAIL B  
SCALE 4 : 1**

DWG	TEMP	SURFACE RESISTIVITY
120254	90°C	10 <sup>5</sup> Ω



Notes: (Unless Otherwise Specified).  
 1) MATERIAL: PLASTIC, ESD SAFE.  
 2) DIMENSIONS: MM [inch].

APPROVALS	DATE	<b>TopLine®</b>			
DRAWN T. Au	3/17/2020	TITLE FP2-2.54-BLACK 2-inch FLIP-PACK 2.54mm			
ENG M. Hart	3/17/2020				
MFG		SCALE 3:2	SIZE A	DRAWING NO. 120254	REV A
CUST		DO NOT SCALE DRAWING			SHEET 1 OF 1
REVISED					