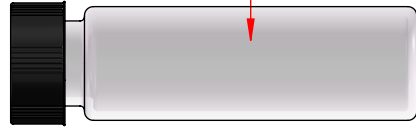


PACKAGING SYSTEM SOLDER COLUMNS

TopLine
Made in USA
CG8020C20x91
Ø 0.51mm x 2.31mm
Qty: 10-Kpcs LOT 820913

**SHRINK WRAP
CELLOPHANE**

DWG 193004



- 4-DRAM VIAL:**
1) COPPERTEX PAPER
2) DESICCANT
2) FILLER
4) NITROGEN

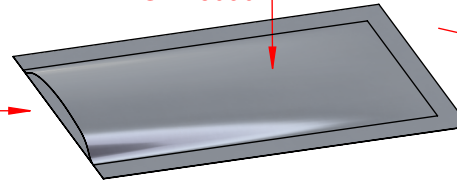
DWG 090050



TUBULAR FOAM

TopLine
Made in USA
CG8020C20x91
Ø 0.51mm x 2.31mm
Qty: 10-Kpcs LOT 820913

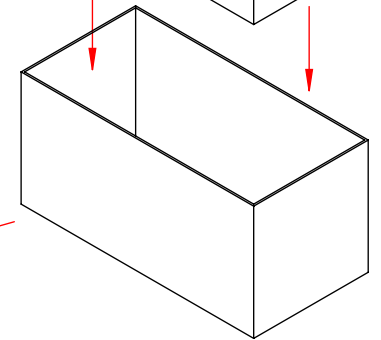
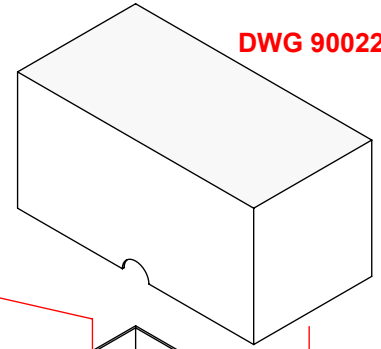
DWG 225090



VACUUM BAG

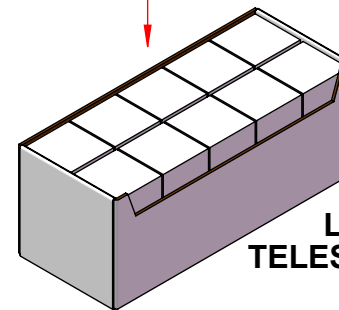
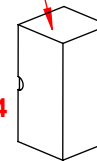
TELESCOPING BOX

DWG 900224HF 5



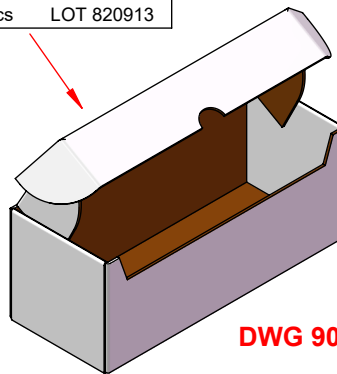
TopLine
Made in USA
CG8020C2091
Ø 0.51mm x 2.31mm
Qty: 10-Kpcs LOT 820913

DWG 900224



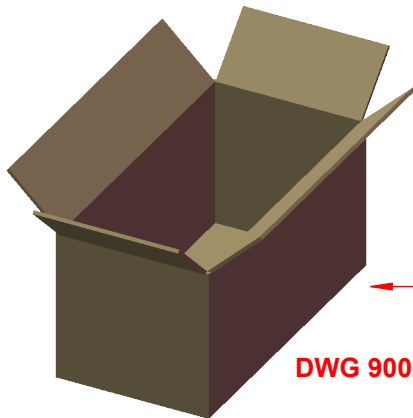
**LOAD 10X
TELESCOPING BOX**

TopLine
Made in USA
CG8020C20x91
Ø 0.51mm x 2.31mm
Qty: 10-Kpcs LOT 820913



DWG 900225

INNER CARTON



DWG 900223

HF5 BGDCFH' CARTONG

**ULINE S4924 13"x7"x7"=BB9F`&L
ULINE S4891 15"x15"x8"CI H9F`%L**

APPROVALS	DATE	TopLine [®]			
DRAWN T. Au	2/15/2023				
ENG M. Hart	2/15/2023	TITLE COLUMN PACKAGING			
MFG		SCALE 1:1	SIZE A	DRAWING NO. 900099	REV A
QA					
CUST		DO NOT SCALE DRAWING			SHEET 1 OF 1
REVISED					