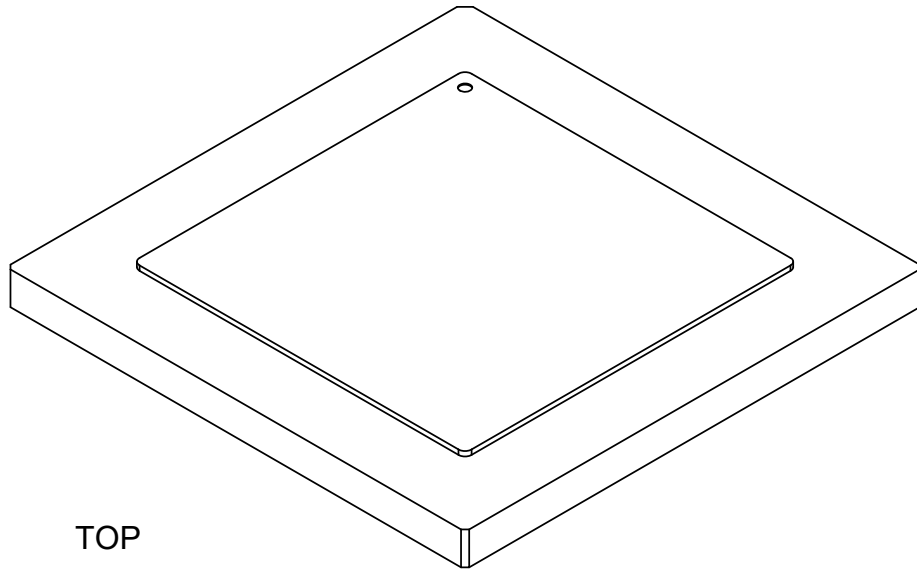


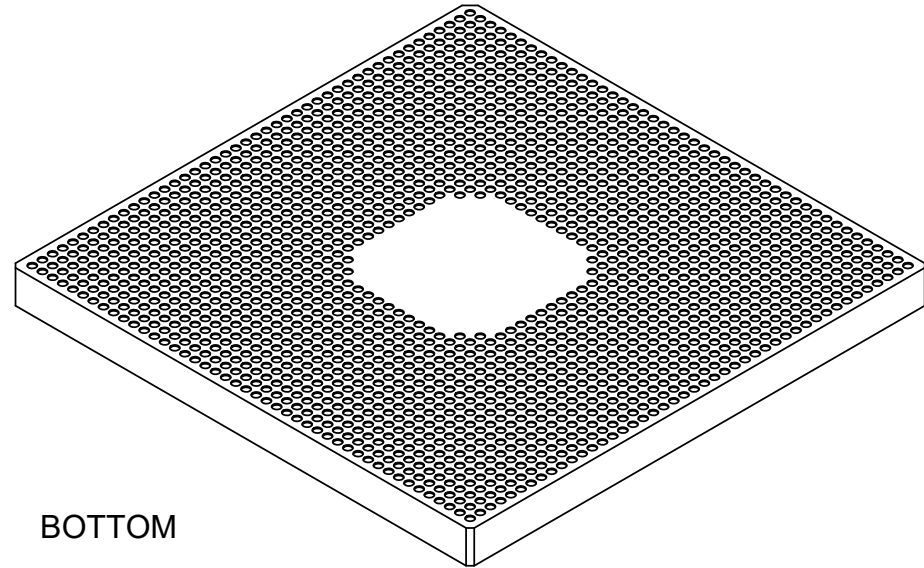
NOTES: (UNLESS OTHERWISE SPECIFIED).
 1) DIMENSIONS: INCHES [MM].
 2) MATERIAL: ALUMINUM.

APPROVALS		DATE					
DRAWN J. Hines		1/17/2017					
ENG M. Hart		1/17/2017	TITLE AL-CG1752-RU ALUMINUM SLUG				
MFG			SCALE 1.5:1		SIZE A	DRAWING NO. 175101	REV A
QA							
CUST							
REVISED			DO NOT SCALE DRAWING				SHEET 1 OF 2

MODELS



TOP



BOTTOM

TopLine[®]			
TITLE		AL-CG1752-RU ALUMINUM SLUG	
SCALE	SIZE	DRAWING NO.	REV
1.5:1	A	175101	A
DO NOT SCALE DRAWING			SHEET 2 OF 2