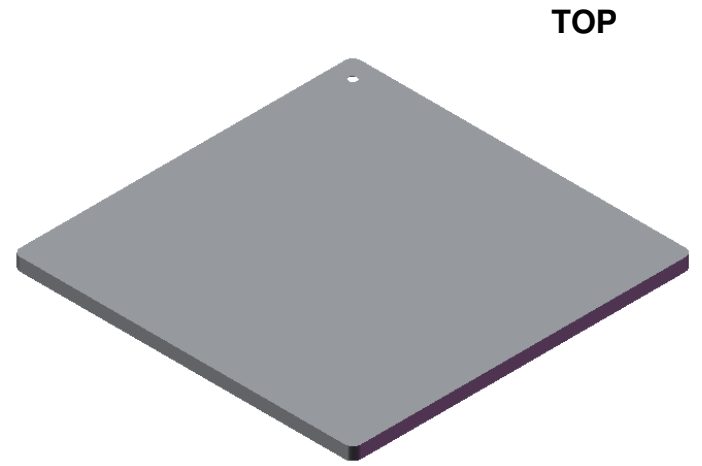
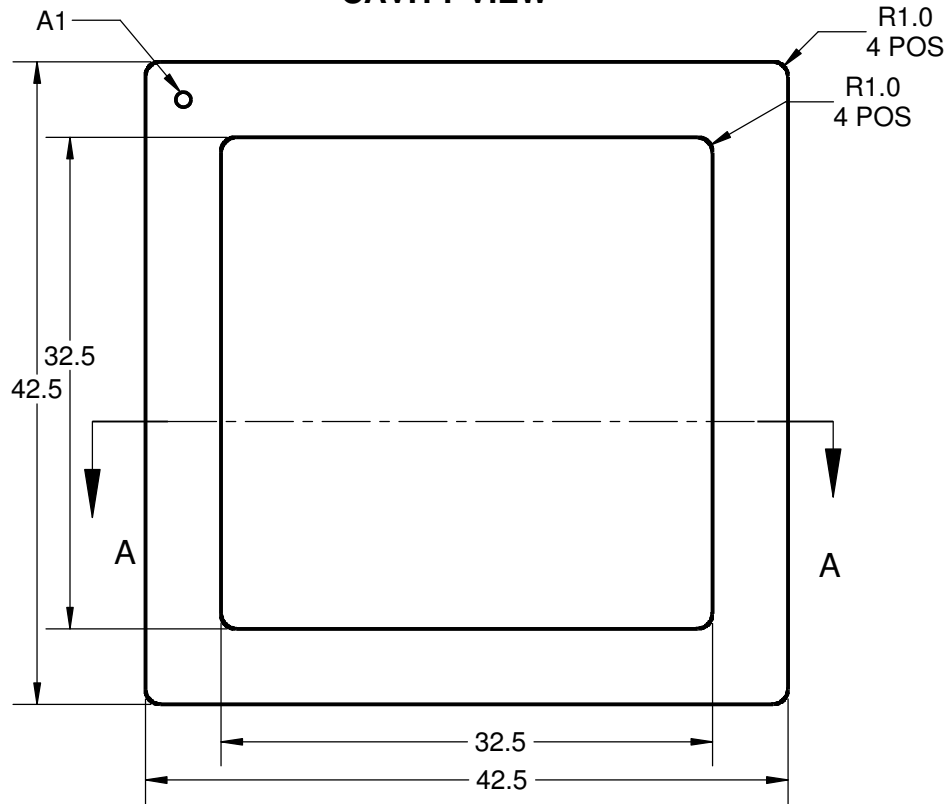


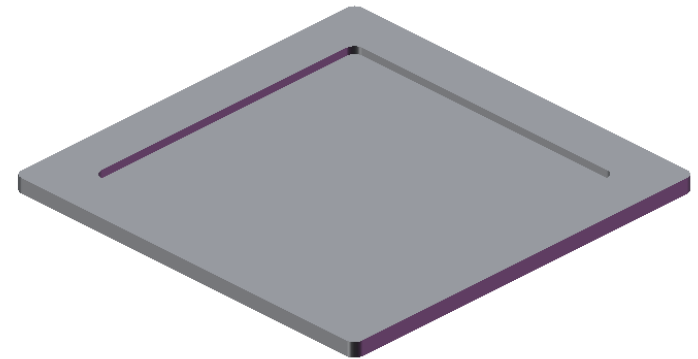
HEAT SPREADER

CAVITY VIEW

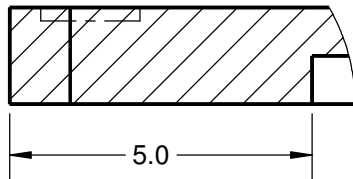


TOP

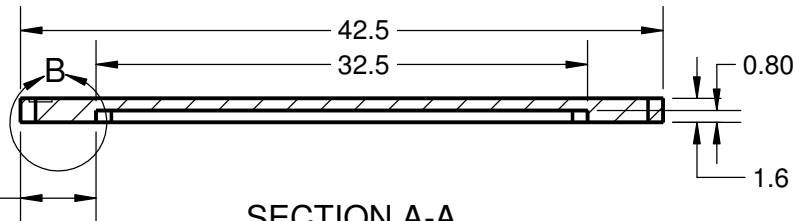
MODEL



CAVITY



DETAIL B
SCALE 8 : 1



SECTION A-A
SCALE 4:1

Notes: (Unless Otherwise Specified).
1) ALL DIMENSIONS ARE IN MM.

APPROVALS	DATE	TopLine®			
DRAWN T. Au	7/29/2017				
ENG M. Hart	7/29/2017	TITLE F-CAP42.5A FLAT CAVITY HEAT SPREADER			
MFG		SCALE	SIZE	DRAWING NO.	REV
QA		2.5:1	A	242790	A
CUST		DO NOT SCALE DRAWING			SHEET 1 OF 1
REVISED					