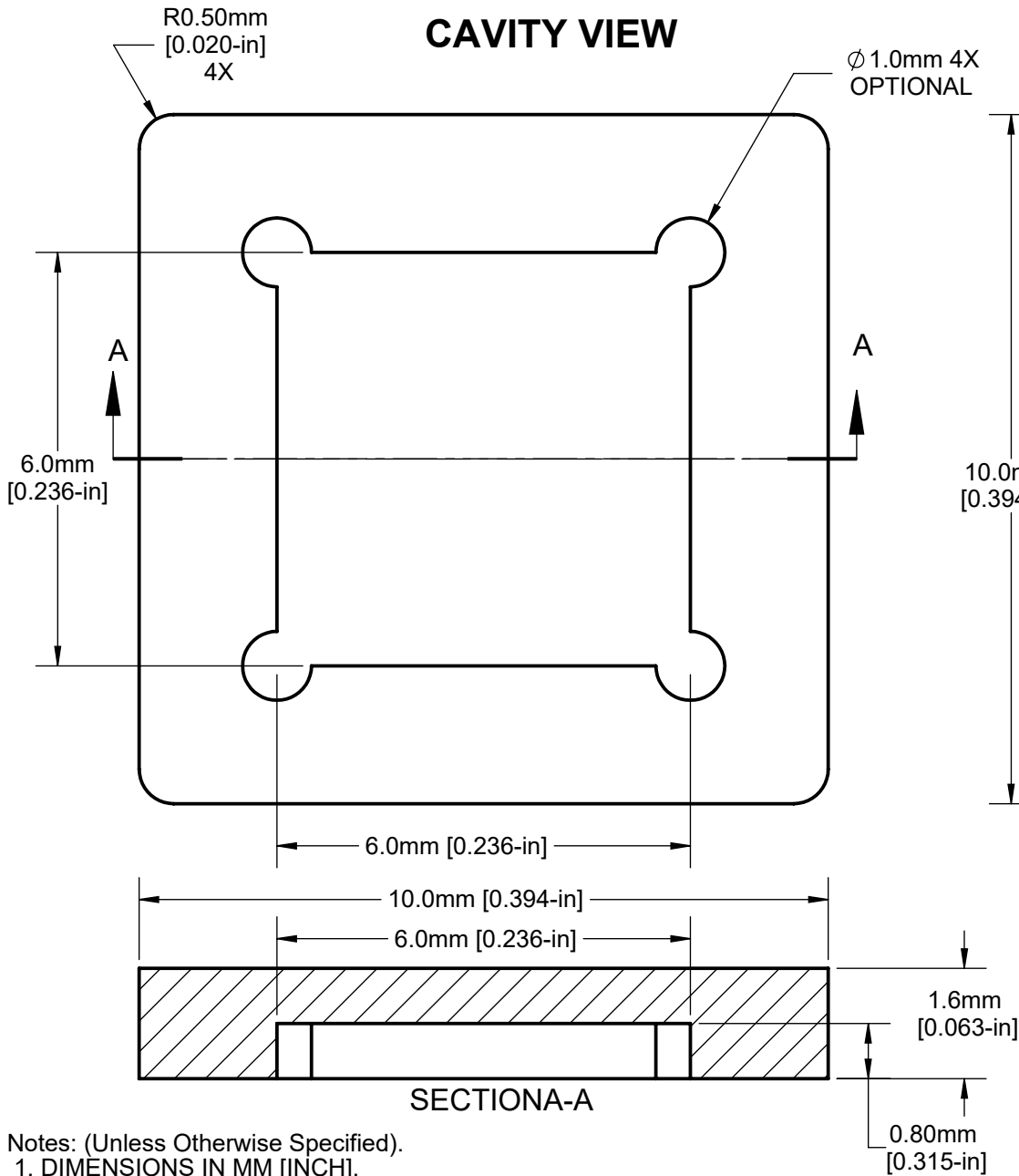
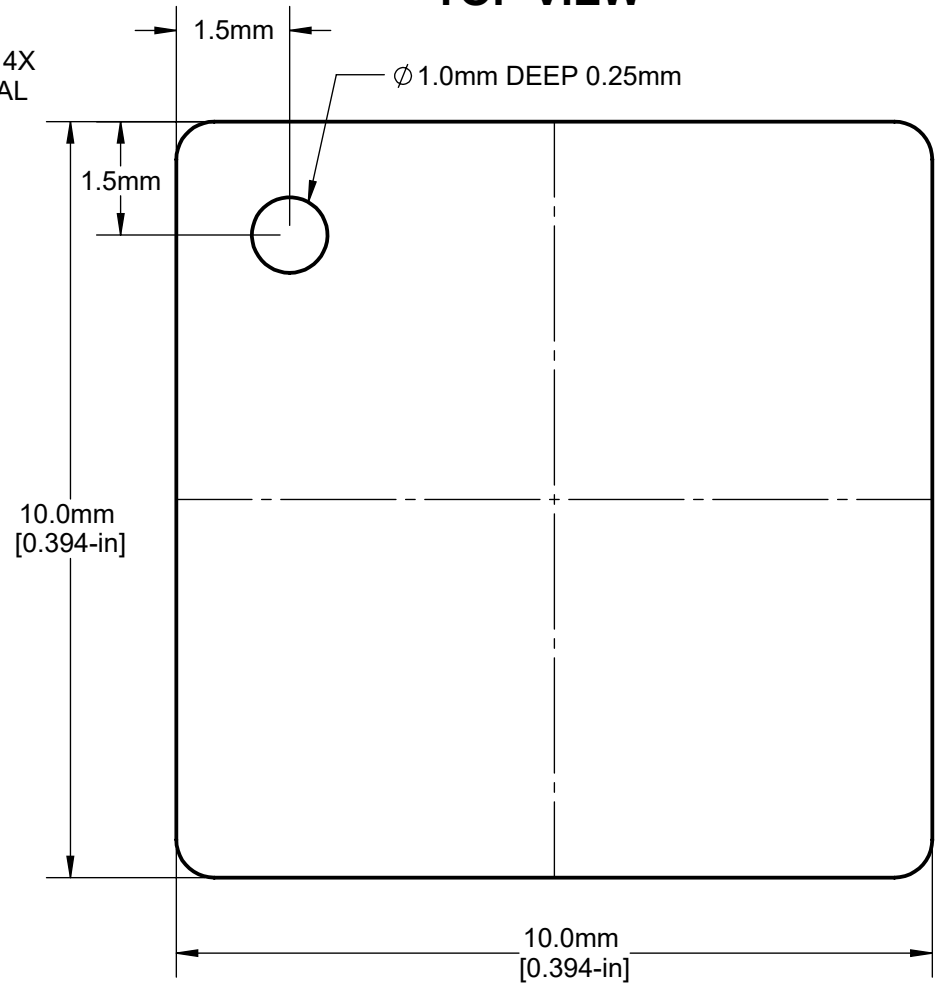


# HEAT SPREADER

## CAVITY VIEW



## TOP VIEW

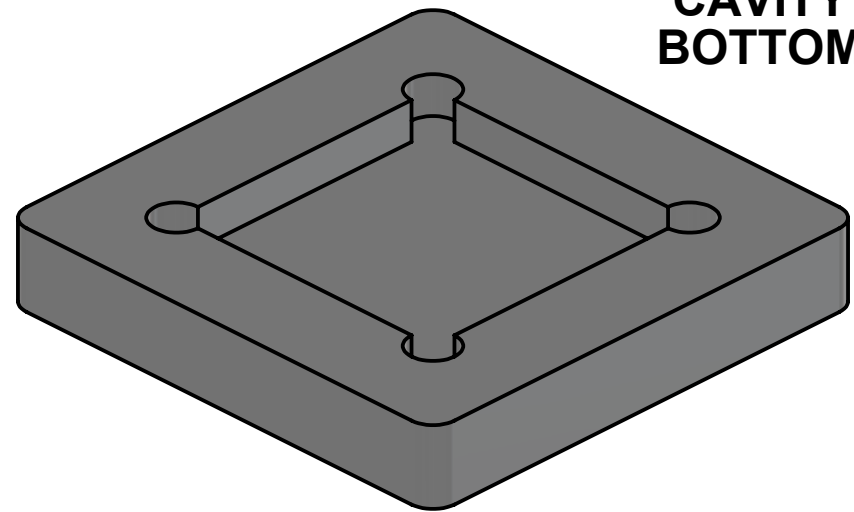
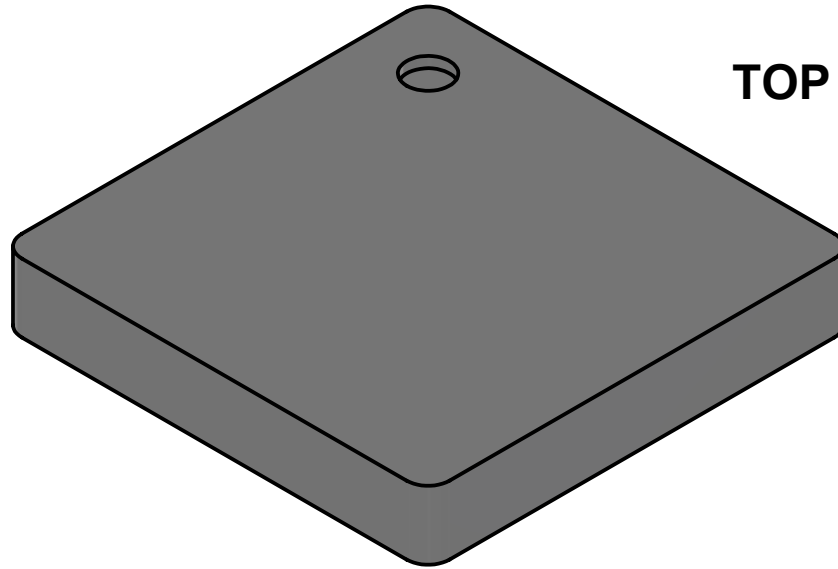


Notes: (Unless Otherwise Specified).

1. DIMENSIONS IN MM [INCH].
2. MATERIAL: COPPER ALLOY C101, C102 or C110 QUARTER OR HALF HARD OXYGEN FREE.
3. PLATING NICKEL 5um (200u-inch) MIN. SEMI FINISH.
4. TOLERANCE  $\pm 0.1\text{mm}$  (  $\pm .004\text{-inch}$  )

APPROVALS	DATE	<b>TopLine®</b>			
DRAWN T. Au	4/4/2022				
ENG M. Hart	4/4/2022	TITLE F-CAP10A FLAT CAVITY HEAT SPREADER			
MFG		SCALE	SIZE	DRAWING NO.	REV
QA		2.5:1	A	210790	A
CUST		DO NOT SCALE DRAWING			SHEET 1 OF 3
REVISED					

# MODEL



**TopLine®**

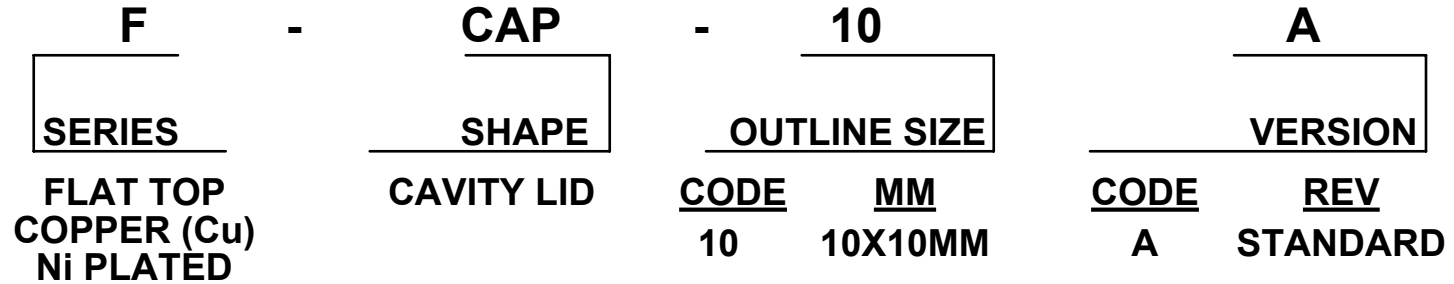
TITLE F-CAP10A  
FLAT CAVITY HEAT SPREADER

SCALE 2.5:1	SIZE A	DRAWING NO. 210790	REV A
----------------	-----------	-----------------------	----------

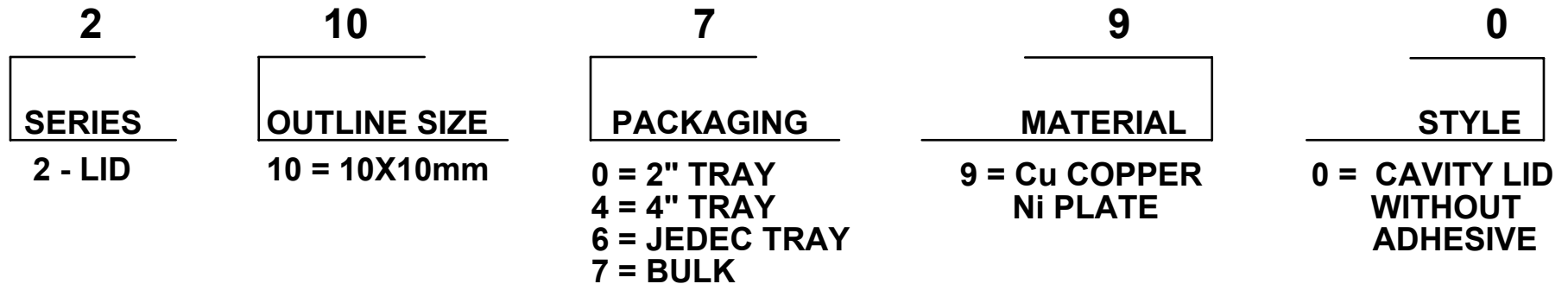
DO NOT SCALE DRAWING

SHEET 2 OF 3

# PART NUMBER SYSTEM



# DRAWING NUMBER SYSTEM



**TopLine®**

TITLE			
F-CAP10A FLAT CAVITY HEAT SPREADER			
SCALE	SIZE	DRAWING NO.	REV
2.5:1	A	210790	A

DO NOT SCALE DRAWING

SHEET 3 OF 3